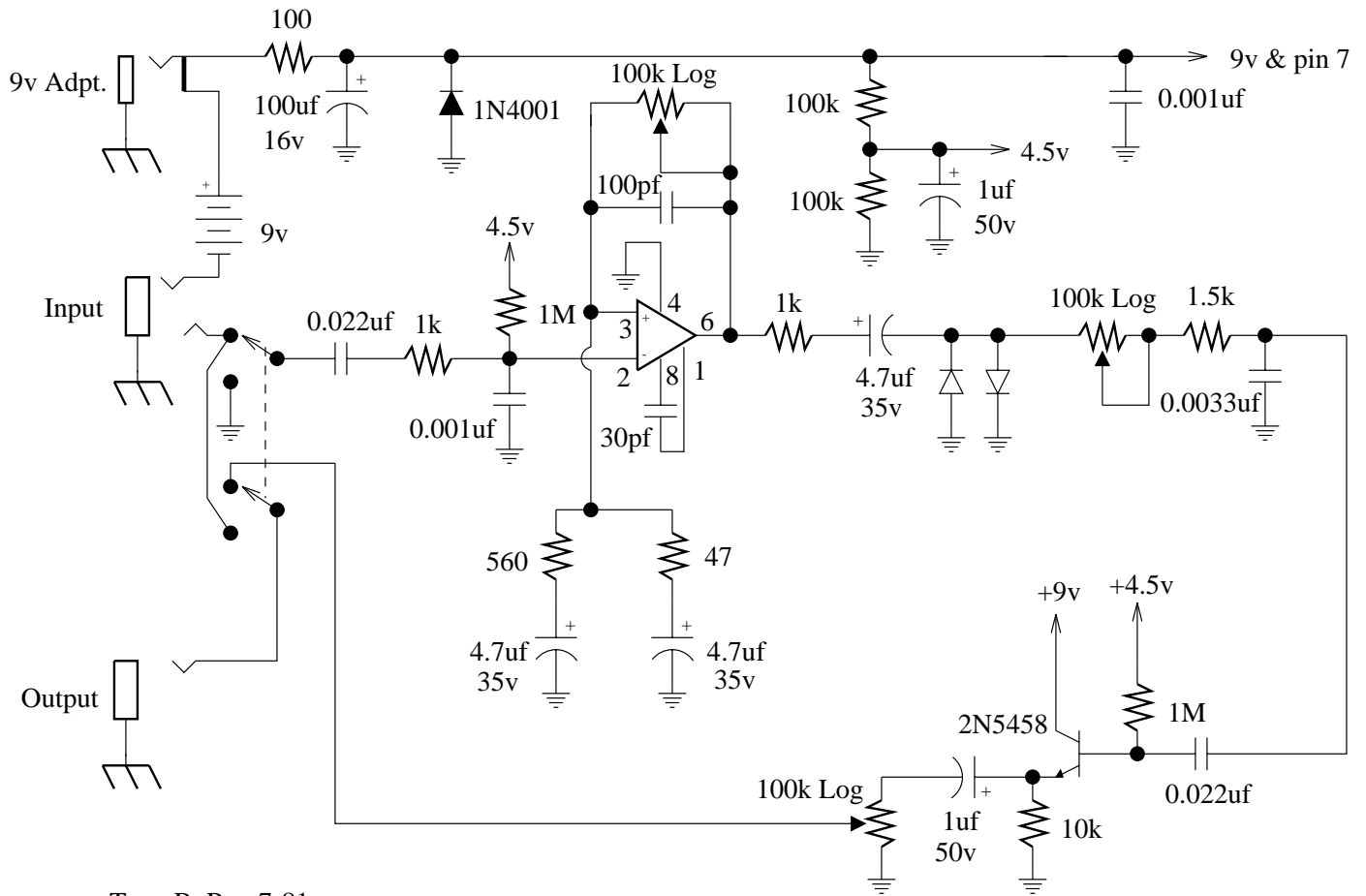


ProCo Rat Distortion



Type B Rev 7-81

Current Drain @ 9v
 ~ .6ma, no Input (idle)
 ~ 1.6ma, full output

IC = LM308
 Diodes = 1N4148