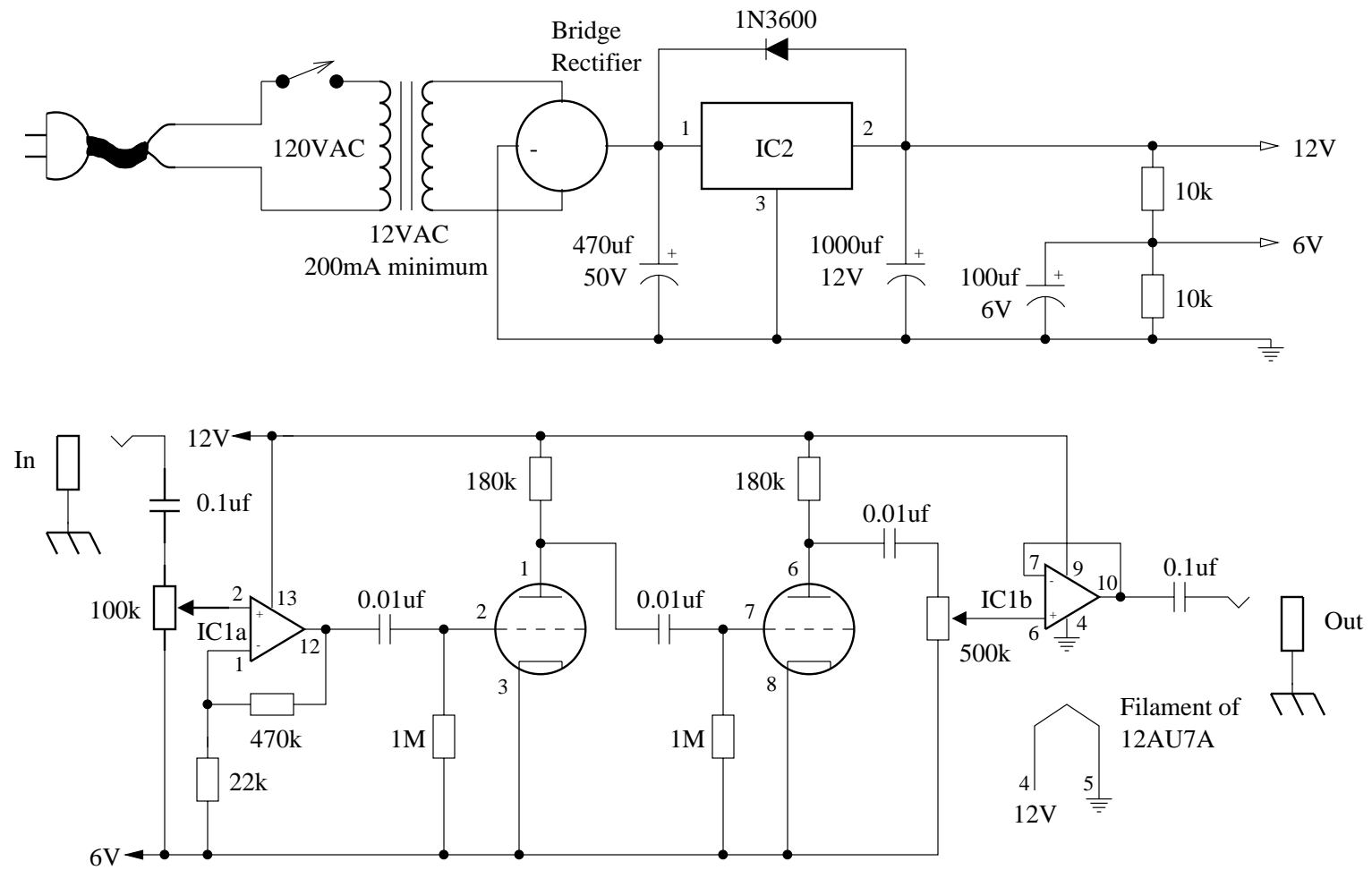


Circuit from Guitar Player : October 1981



- IC1 - 747 dual op-amp, others may be substituted but pinout will differ
- IC2 - LM340K-12V Voltage Regulator
- Bridge Rectifier - Full wave bridge rectifier, 50 Volts, 500 mA minimum
- All resistors 1/2 W, 10% preferred