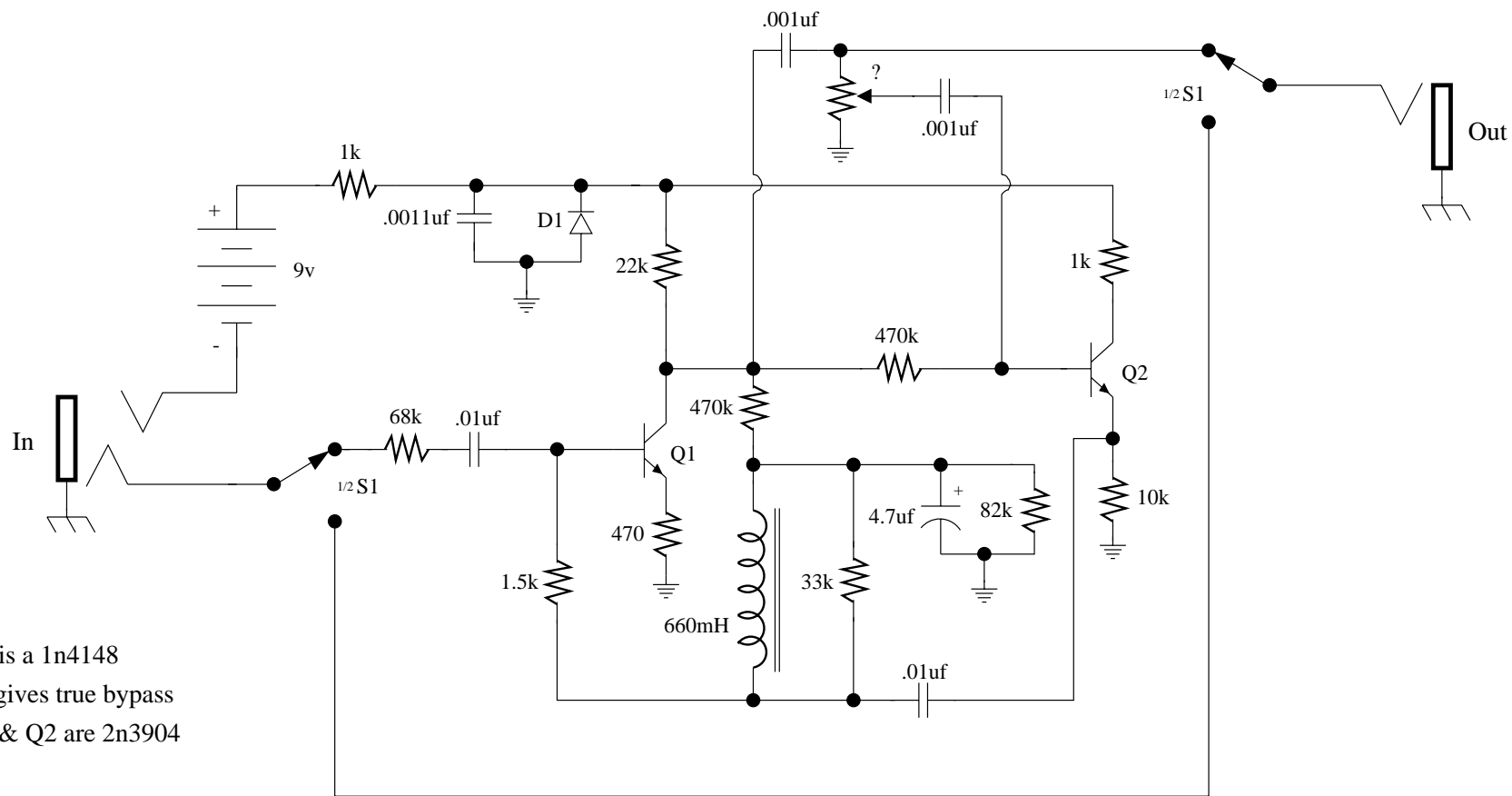


# Dunlop Cry Baby Wah Wah



- D1 is a 1n4148
- S1 gives true bypass
- Q1 & Q2 are 2n3904