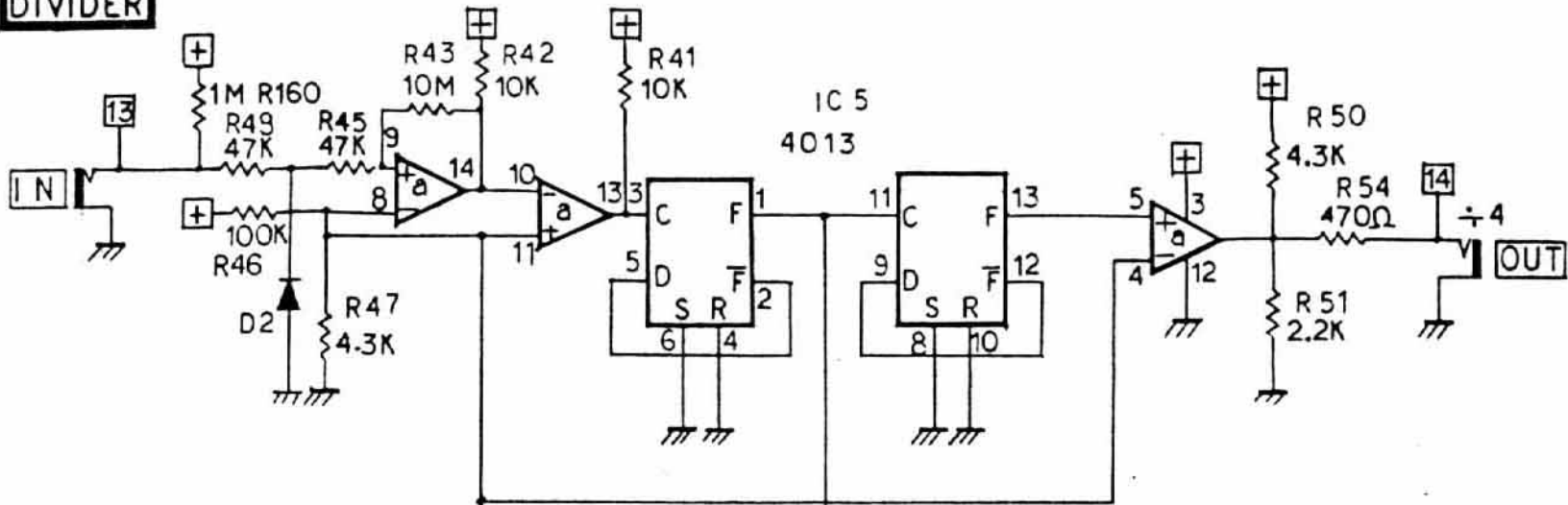
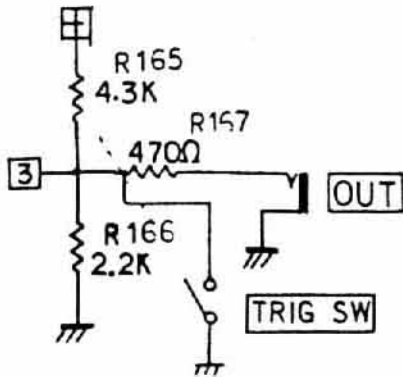


MODEL MS-50 KLM-164B	REVISION 79-1-29	REVISION	REVISION	REVISION	D WG NO
AUDIO AMPLIFIER & NOISE GENERATOR	DATE	DATE	DATE	DATE	KOD -
DATE 78-11-9	DRAWN BY K. H. JAWAHI	DATE	DATE	DATE	A 40042

DIVIDER

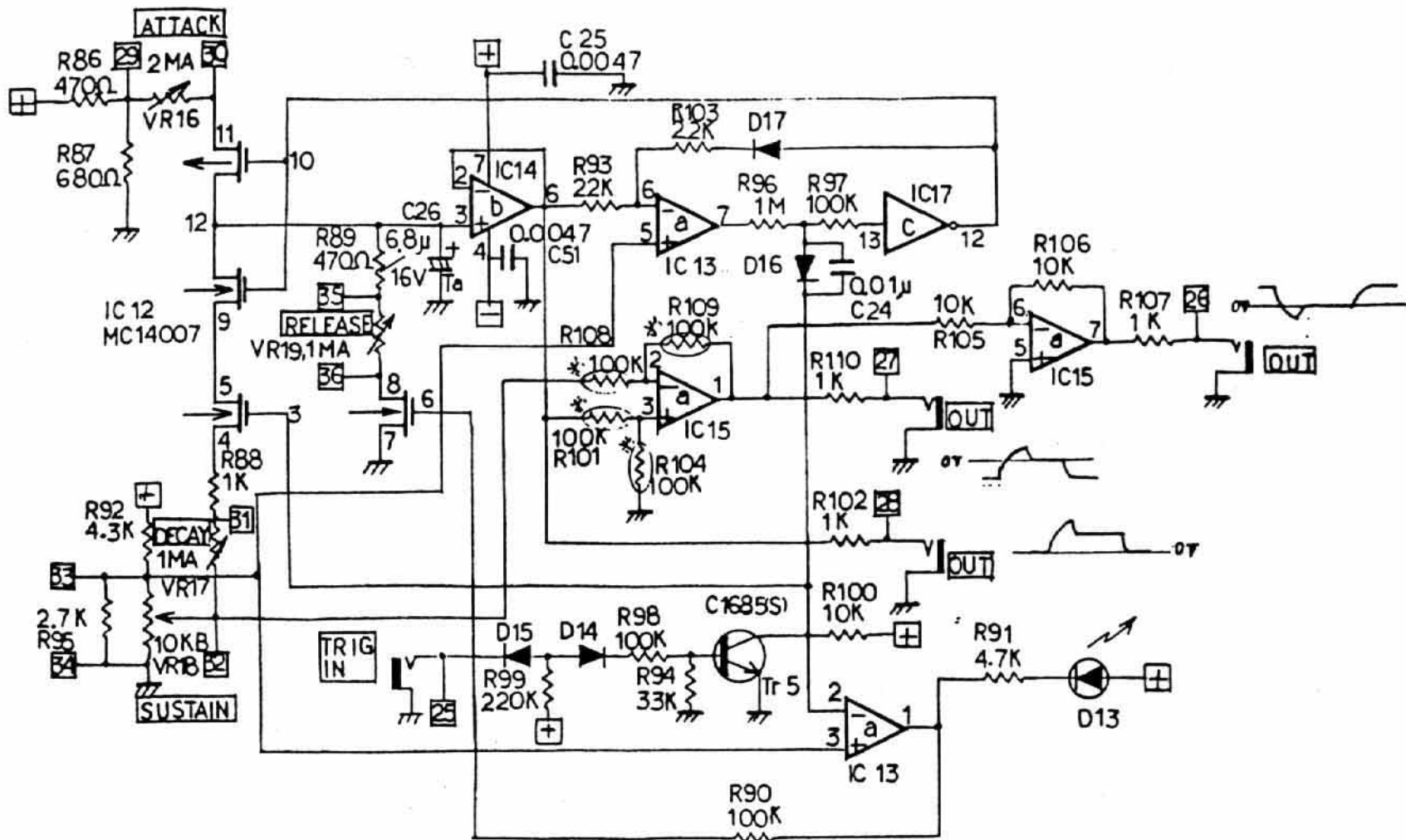


TRIG SW



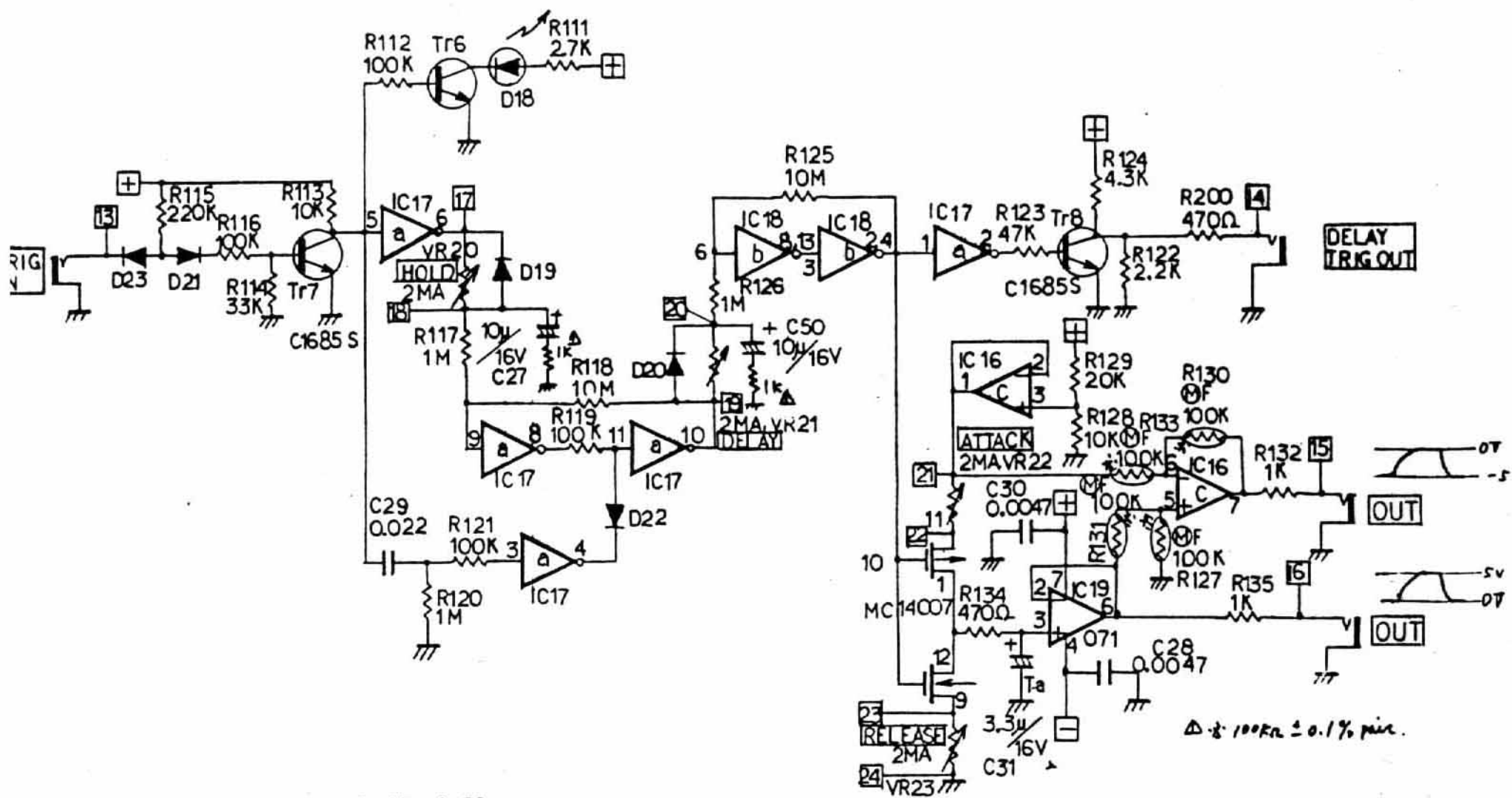
IC 6
a 1/4 339

MODEL MS-50.KLM-16		REVISION	REVISION	REVISION	REVISION	DWG NO
DIVIDER & TRIG SW						
DATE	DRAWN	DATE	DATE	DATE	DATE	KOD-
78-11-8	MN/km					A40041



a-1/2 4558 Δ: 100k to 1% pair
 b-071
 C-14069

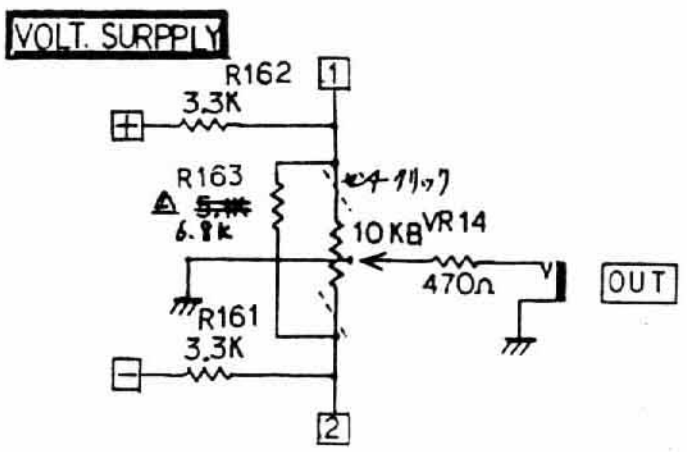
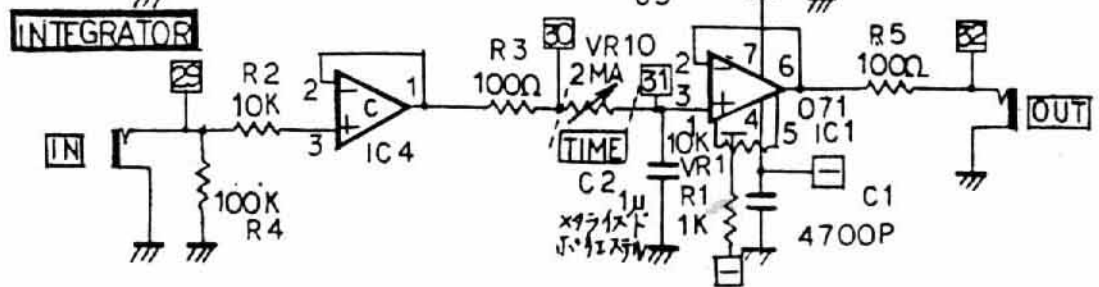
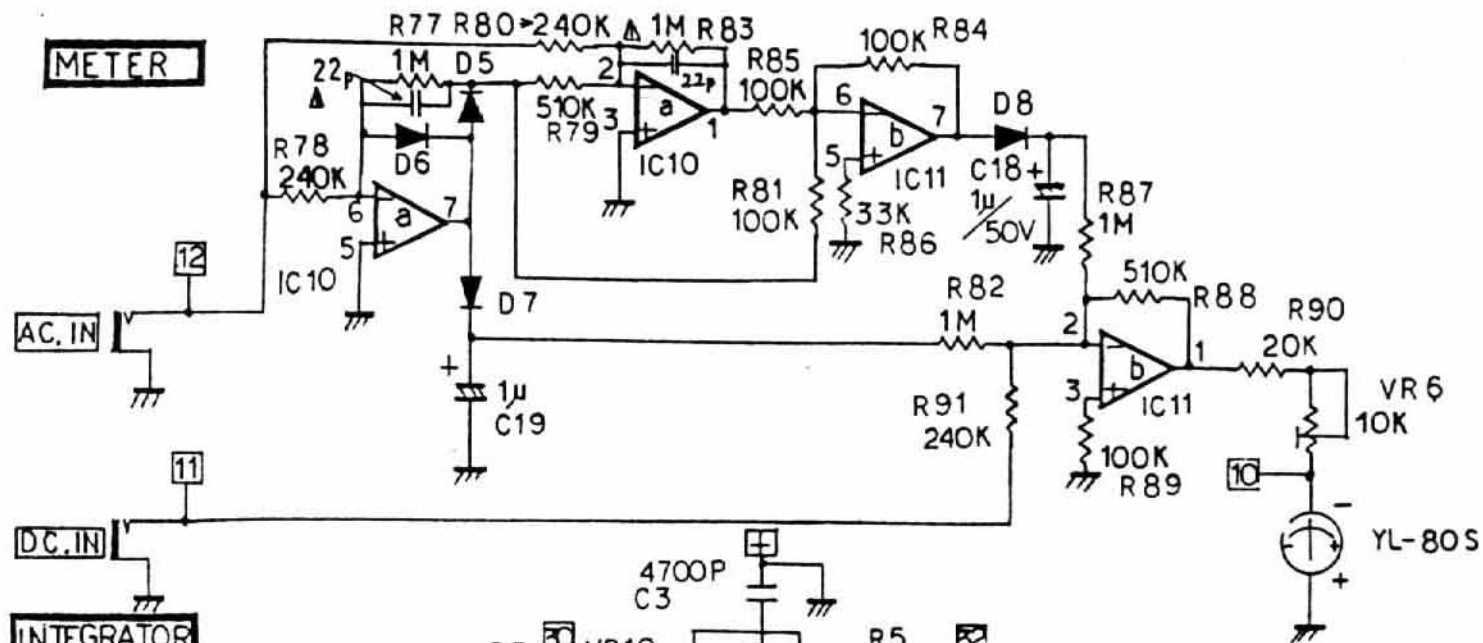
MODEL MS-50 KLM-165B EG1 ADSR		REVISION 79-1-29 Δ MN	REVISION	REVISION	REVISION	DWG NO
DATE 78-11-8	DRAWN BY K. H. Yamaki	DATE	DATE	DATE	DATE	KOD- A40046



a- MC 14069
 b- MC 14007
 c- 1/2 4558

MODEL MS-50 KLM-165B EG-2 HDAR	REVISION 79-1-29 Δ MN	REVISION	REVISION	REVISION	DWG NO
DATE 78-11-8	DRAWN BY K. N. Ganaki	DATE	DATE	DATE	KOD- A40047

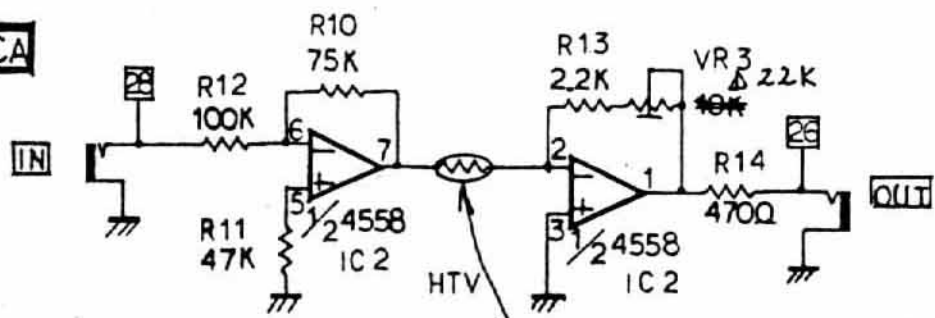
MN/km



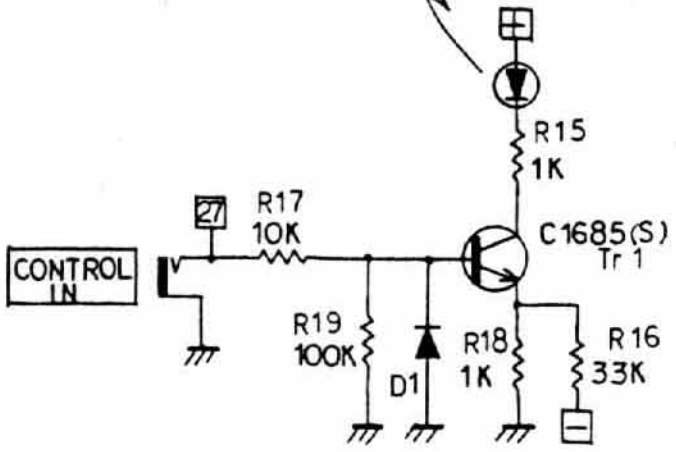
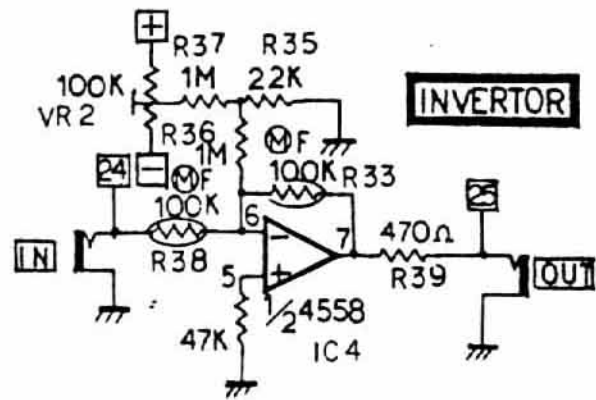
a. b. c. 1/2 4558

MODEL MS-50 KLM-164B		REVISION	REVISION	REVISION	REVISION	DWG NO
METER INTEGRATOR & VOLT. SUPPLY		78-11-20 M.N.	79-1-10 M.N.			
DATE	DRAWN BY	DATE	DATE	DATE	DATE	KOD-
78-11-9	MN/km					A40039

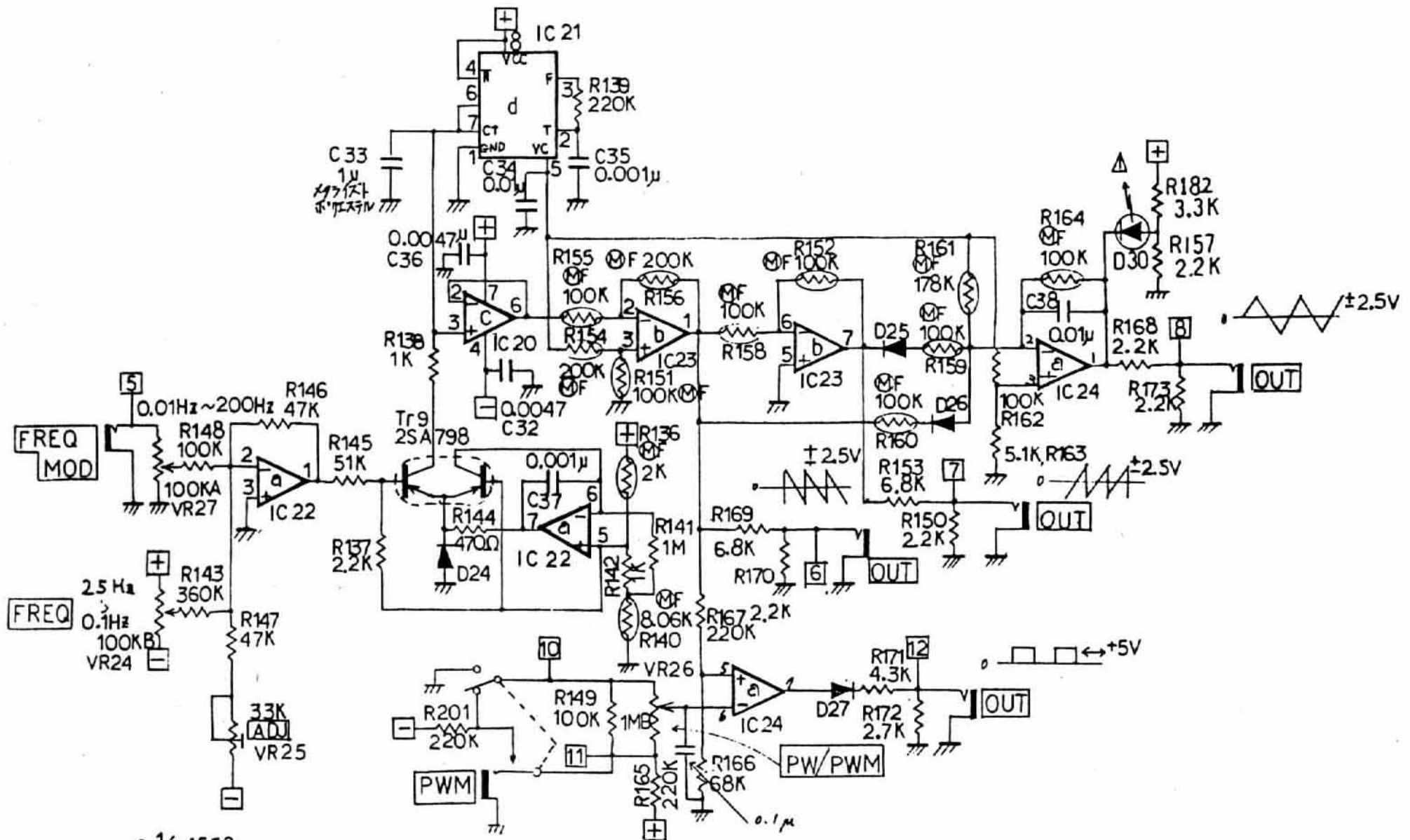
MVCA



INVERTOR



MODEL MS-50	REVISION	REVISION	REVISION	REVISION	DWG NO
KLM-164 MVCA & INVERTOR	77-1-29 MN				
DATE	DRAWN BY	DATE	DATE	DATE	KOD-
78-11-9	MN/km				A40043

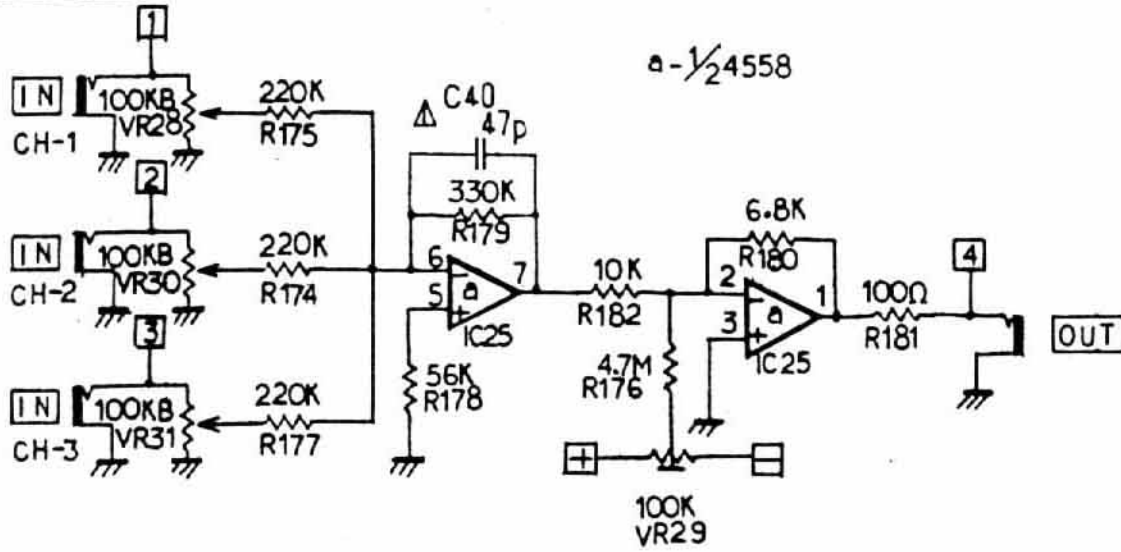


a-1/2 4558
 b-1/2 072
 c-071
 d-555

MODEL MS-50		REVISION	REVISION	REVISION	DWG
KLM-165B MG		78-11-30			NO
DATE	DRAWN BY	DATE	DATE	DATE	KOD-
78-11-8	K. Miyazaki				A40048

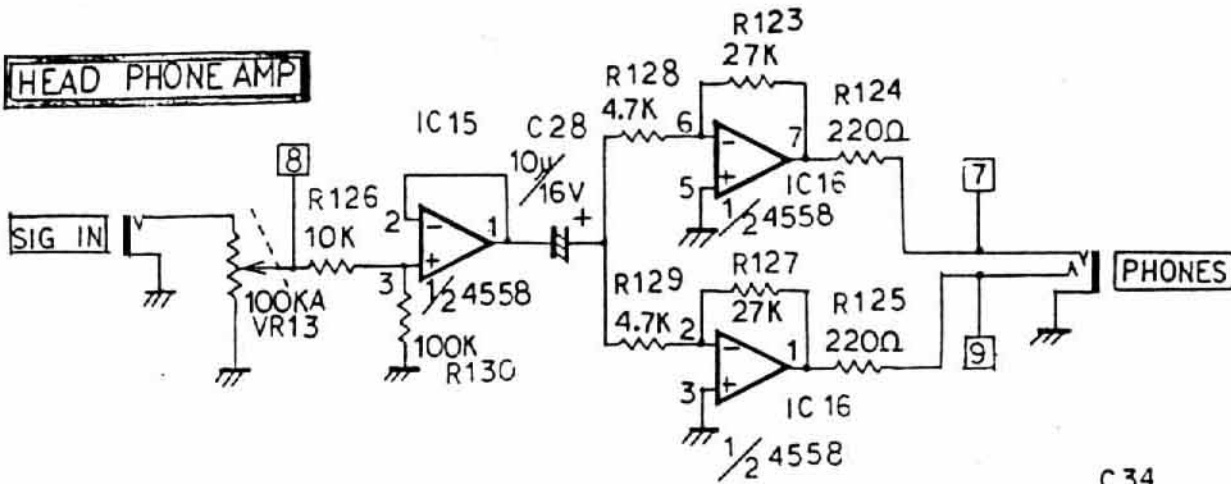
MN/km

ADDING AMP

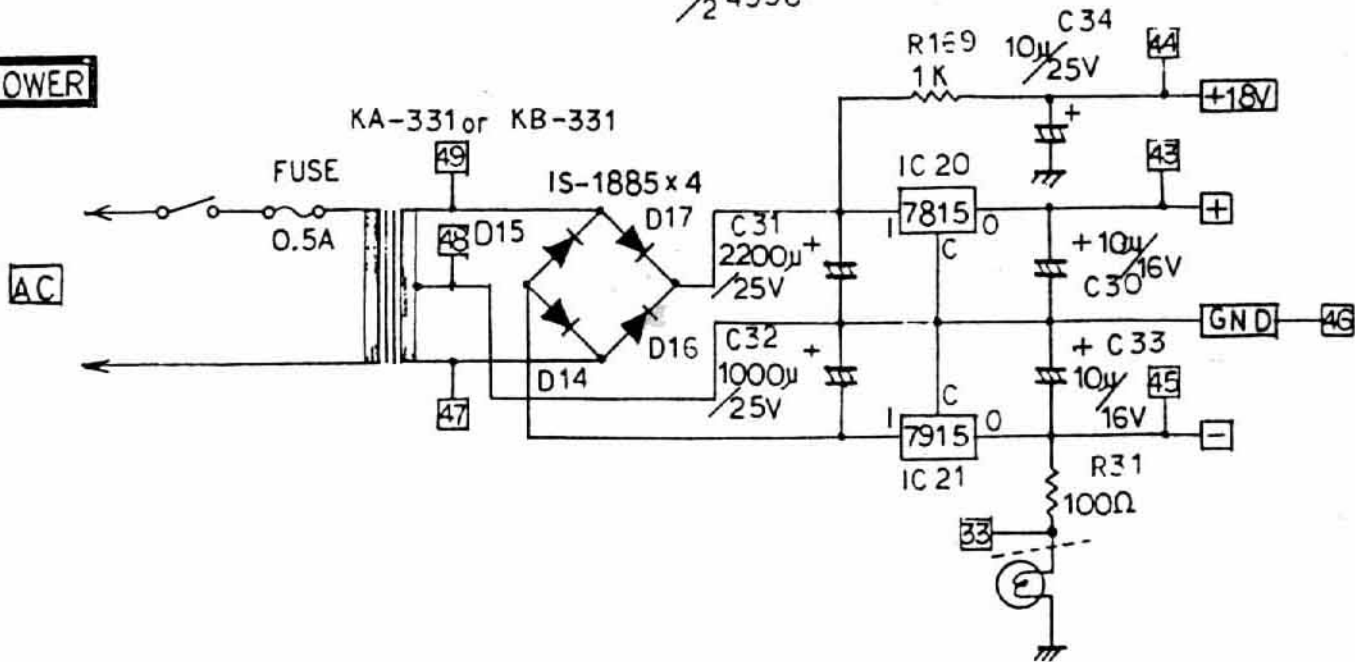


MODEL MS-50 KLM-165B		REVISION	REVISION	REVISION	REVISION	DWG
ADDING AMP		78-11-30				NO
DATE	DRAWN BY MN	DATE	DATE	DATE	DATE	KOD-
78-11-8	X. Nijaraki					A40049

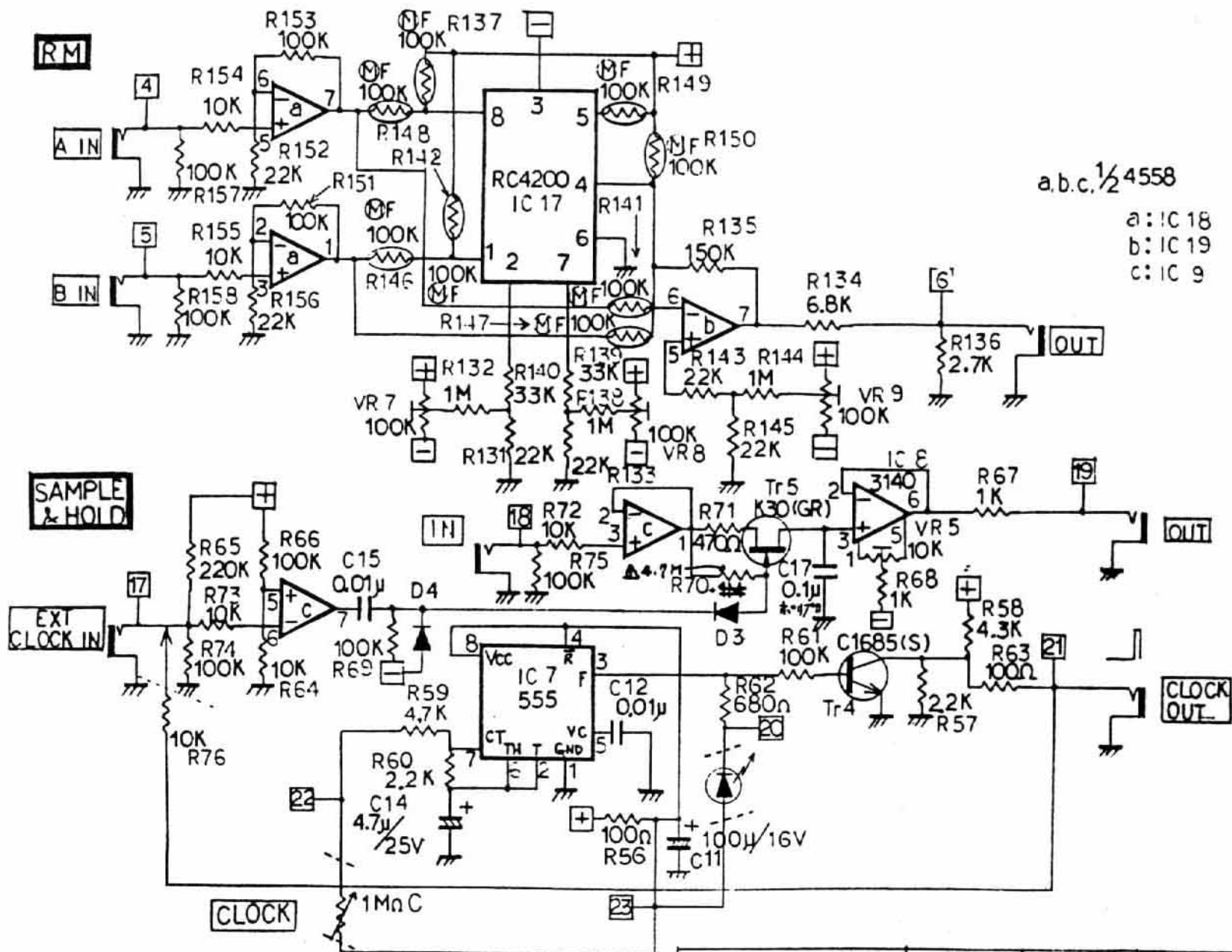
HEAD PHONE AMP



POWER



MODEL MS-50 KLM-164B		REVISION	REVISION	REVISION	REVISION	DWG NO
HEAD PHONE AMP & POWER						
DATE	DRAWN BY	DATE	DATE	DATE	DATE	KOD -
78-11-9	MN/km					A40038



MODEL MS-50 KLM-16 RM, SAMPLE & HOLD	REVISION 78-11-9 MN	REVISION	REVISION	REVISION	DWG NO
DATE 78-11-9	DRAWN BY MN/km	DATE	DATE	DATE	KOD- A40040

VCF

CUTOFF FREQ

SIG IN

SIG OUT

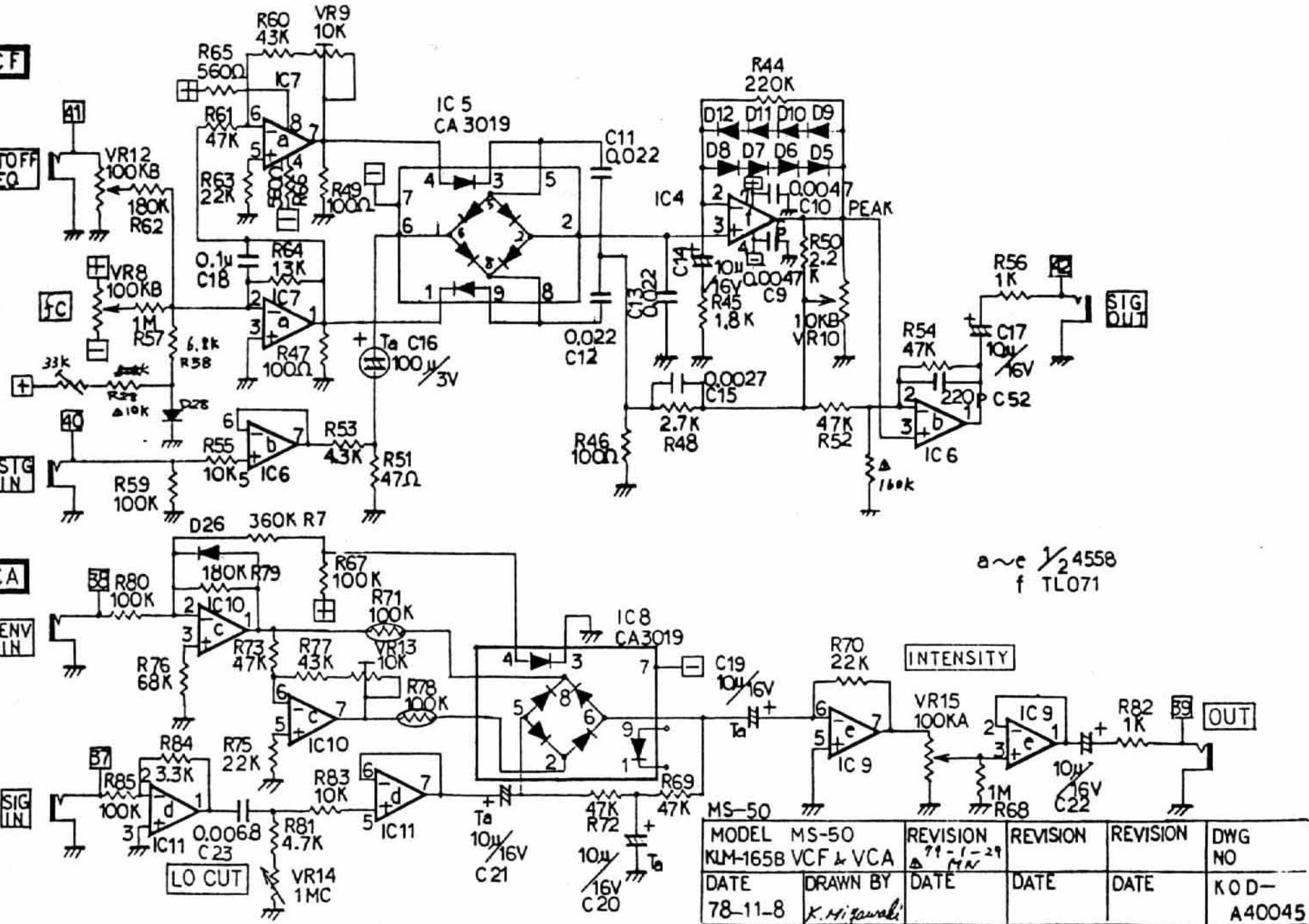
VCA

ENV IN

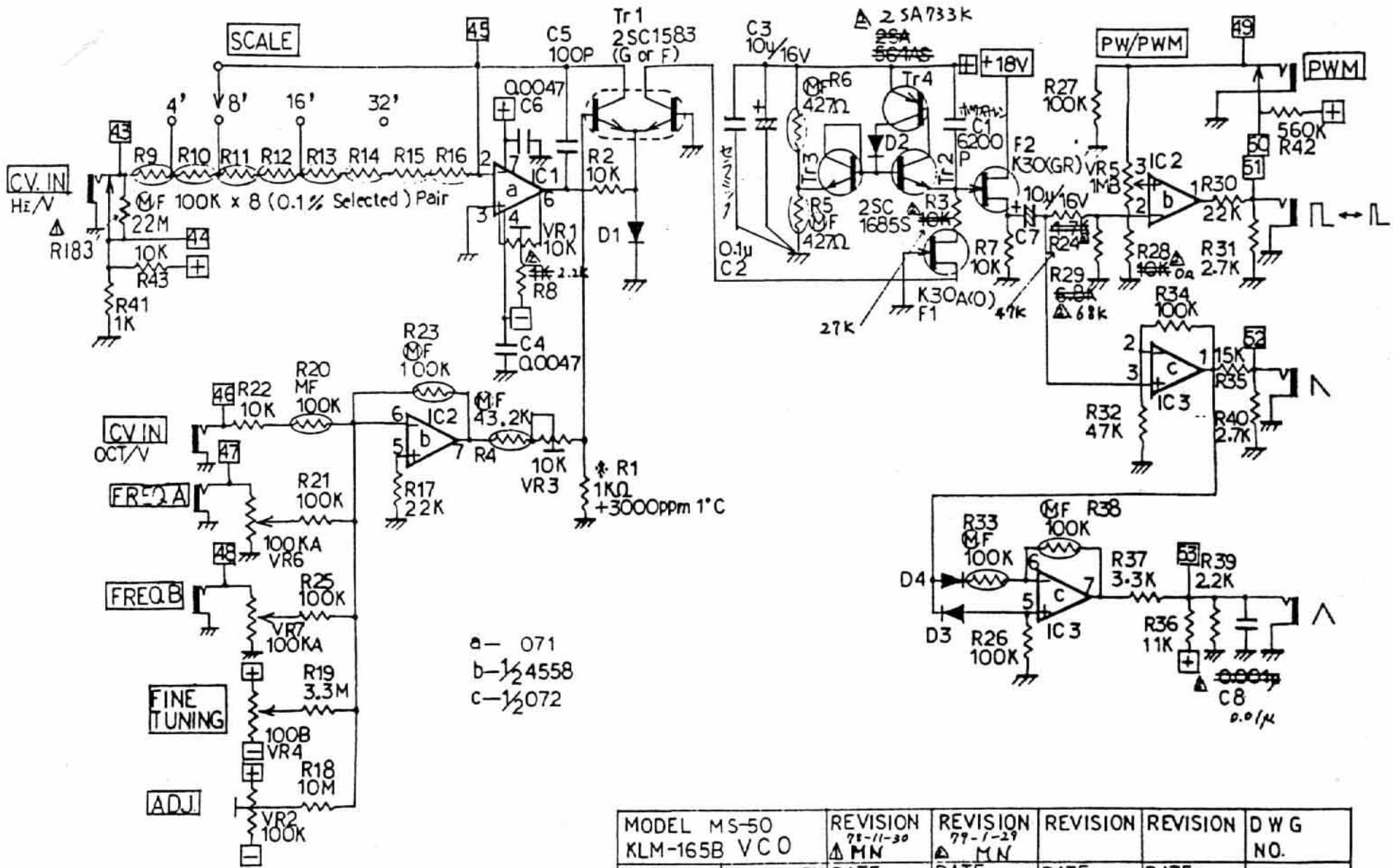
SIG IN

OUT

$a \sim e^{1/24558}$
f TL071



MODEL	MS-50	REVISION	REVISION	REVISION	DWG NO
	KLM-165B VCF & VCA	79-1-29			
DATE	78-11-8	DATE	DATE	DATE	KOD-
	Drawn By: <i>K. Mizumaki</i>				A40045



a- 071
 b- 1/2 4558
 c- 1/2 072

MODEL MS-50 KLM-165B VCO	REVISION 78-11-30 Δ MN	REVISION 79-1-29 Δ MN	REVISION	REVISION	DWG NO.
DATE 78-11-8	DRAWN BY K. Hiyawaki	DATE	DATE	DATE	KOD- A40044

MN/km