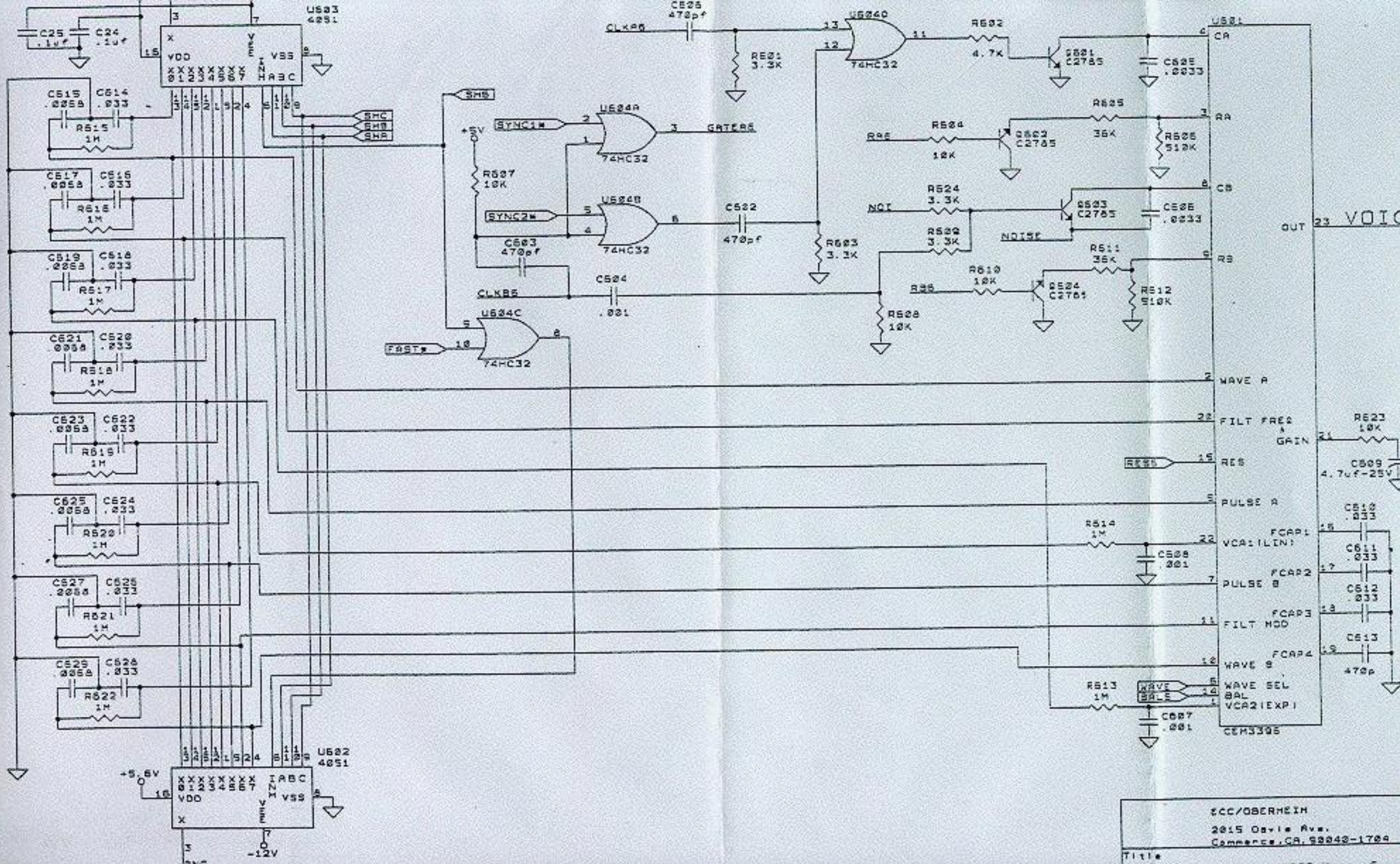
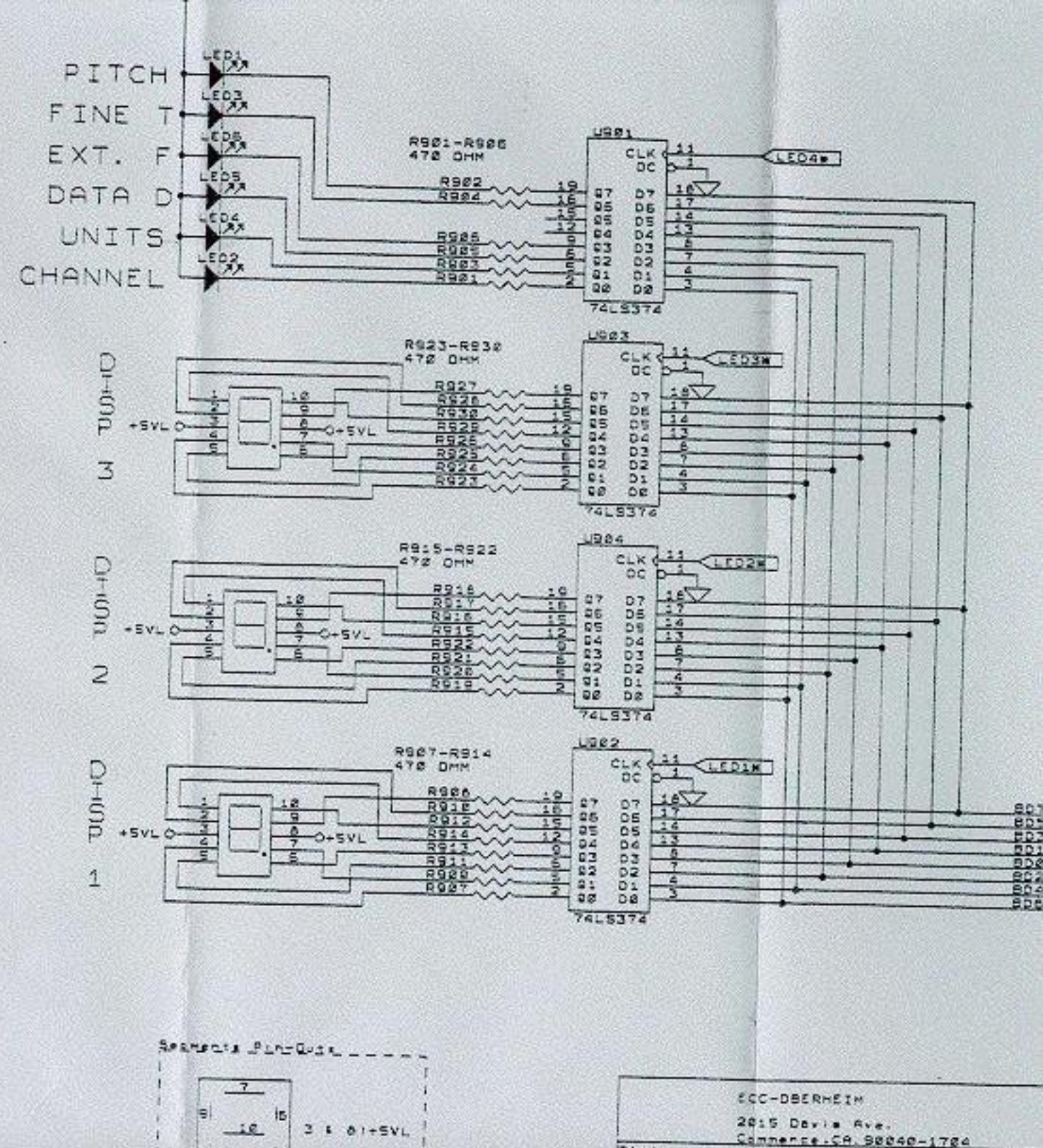
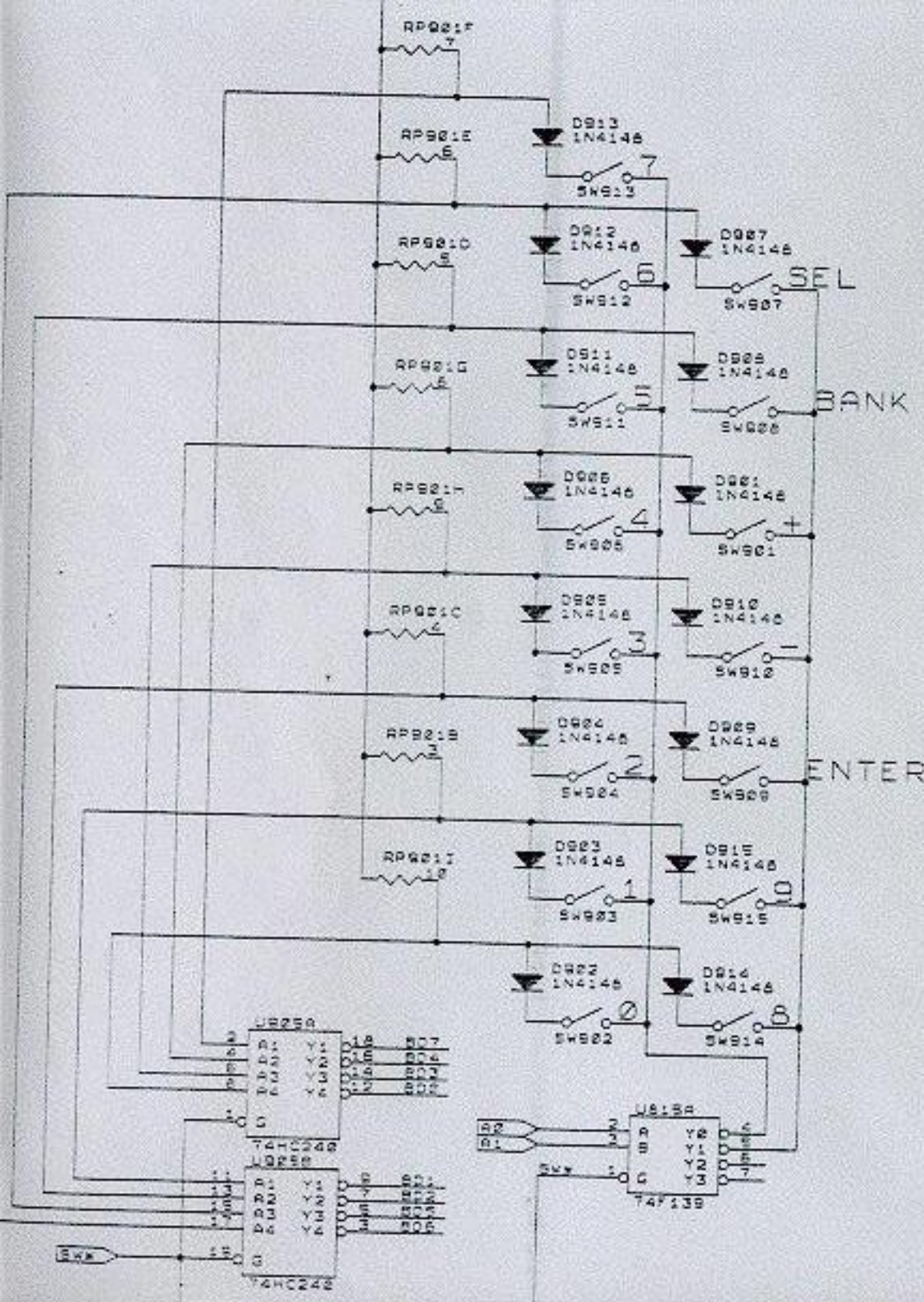


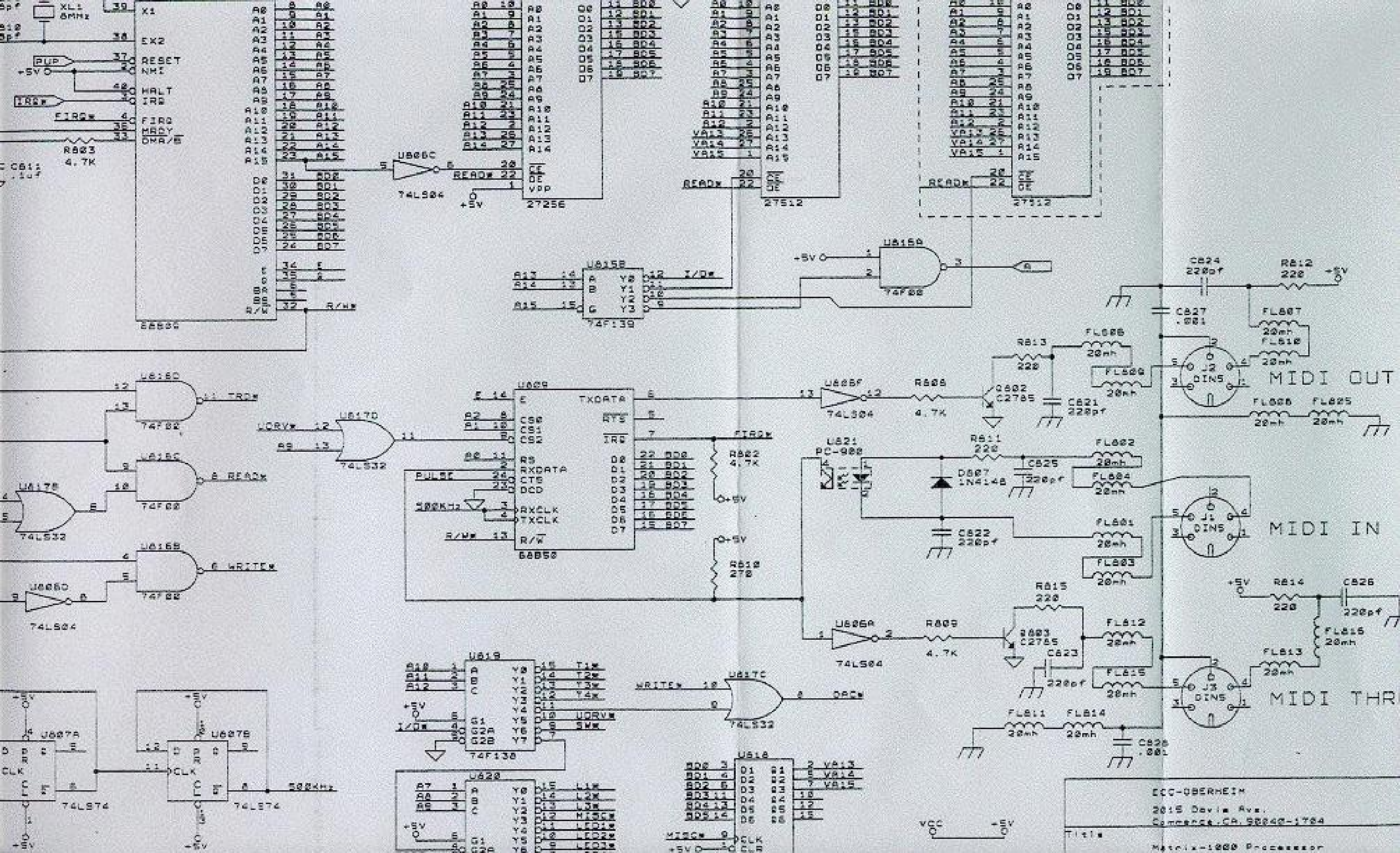
ECC/OBERHEIM
 2815 Davis Ave.
 Camarillo, CA 93040-1784
 Title Matrix-1000 Voice 5



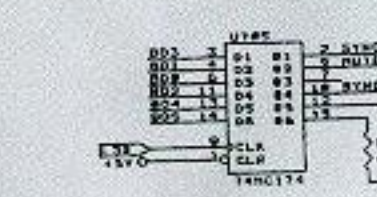
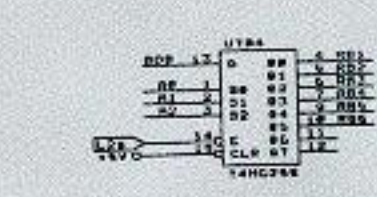
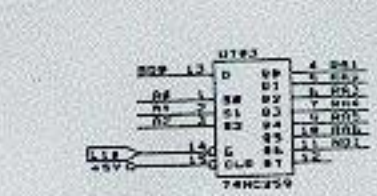
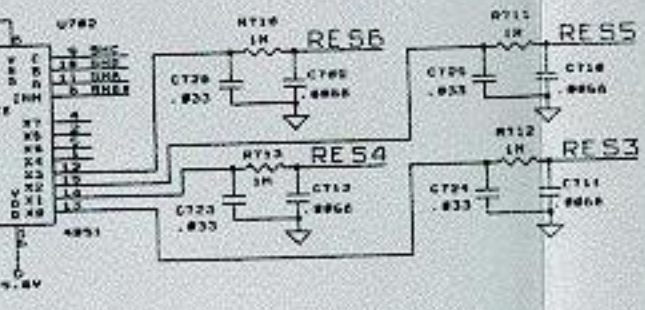
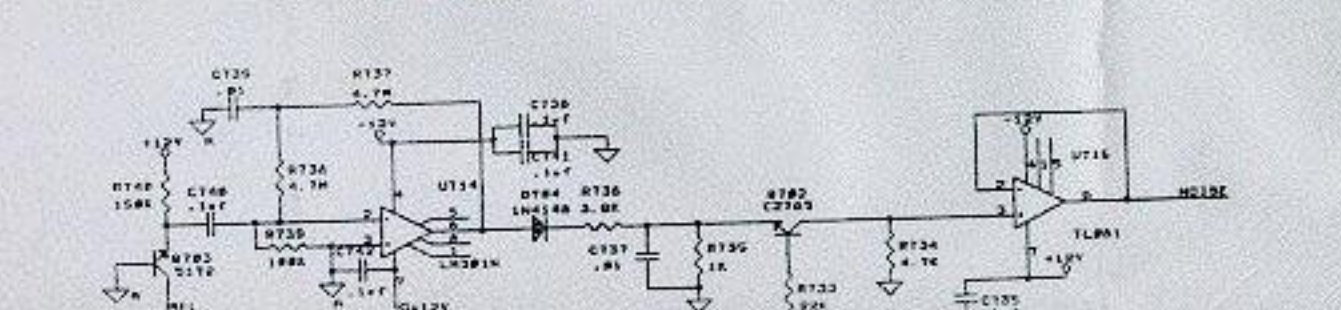
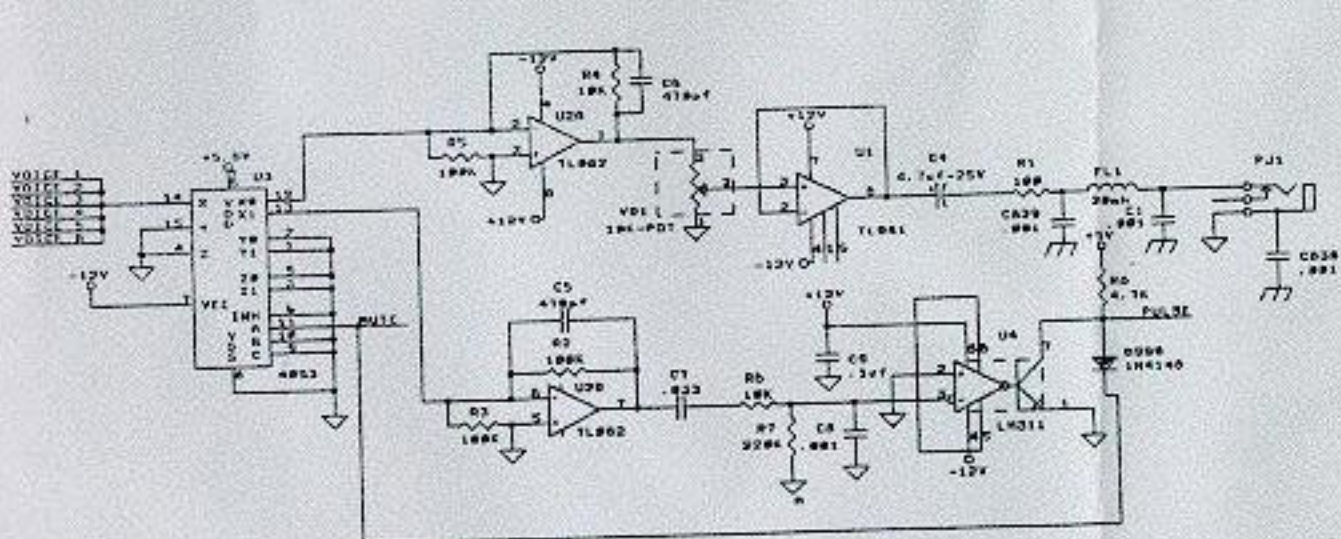
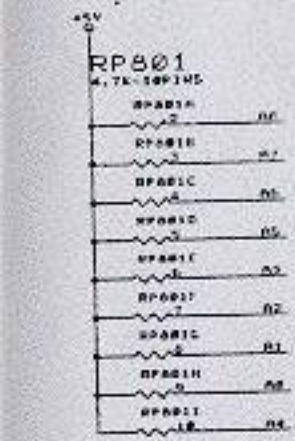
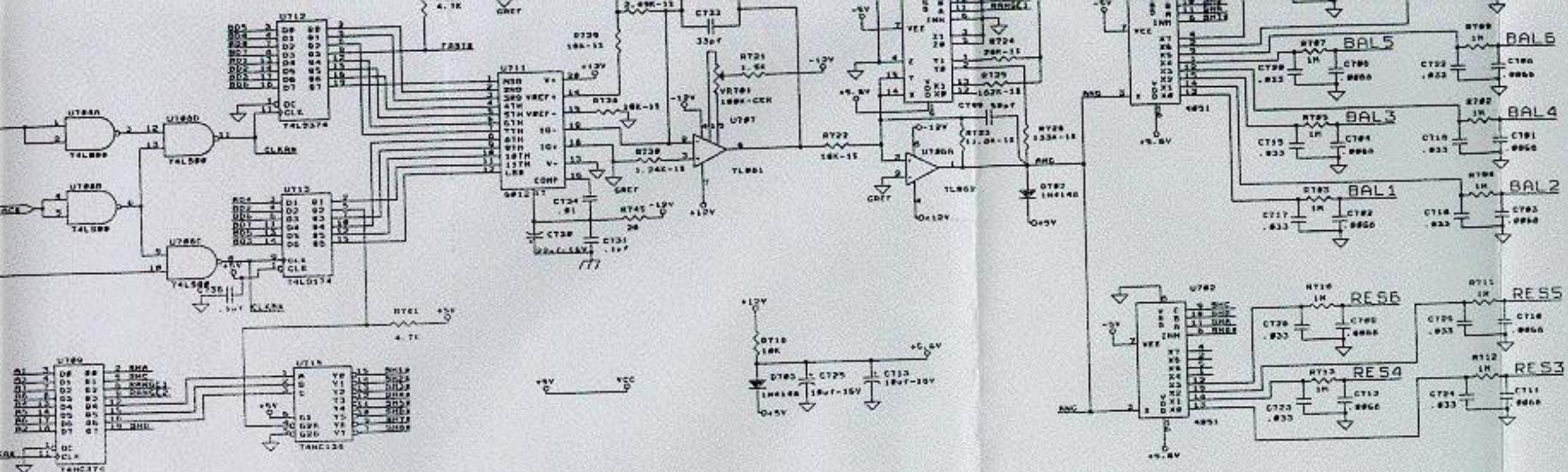
ECC/OBERHEIM
 2015 Osyle Ave.
 Camarillo, CA 93040-1700
 Title



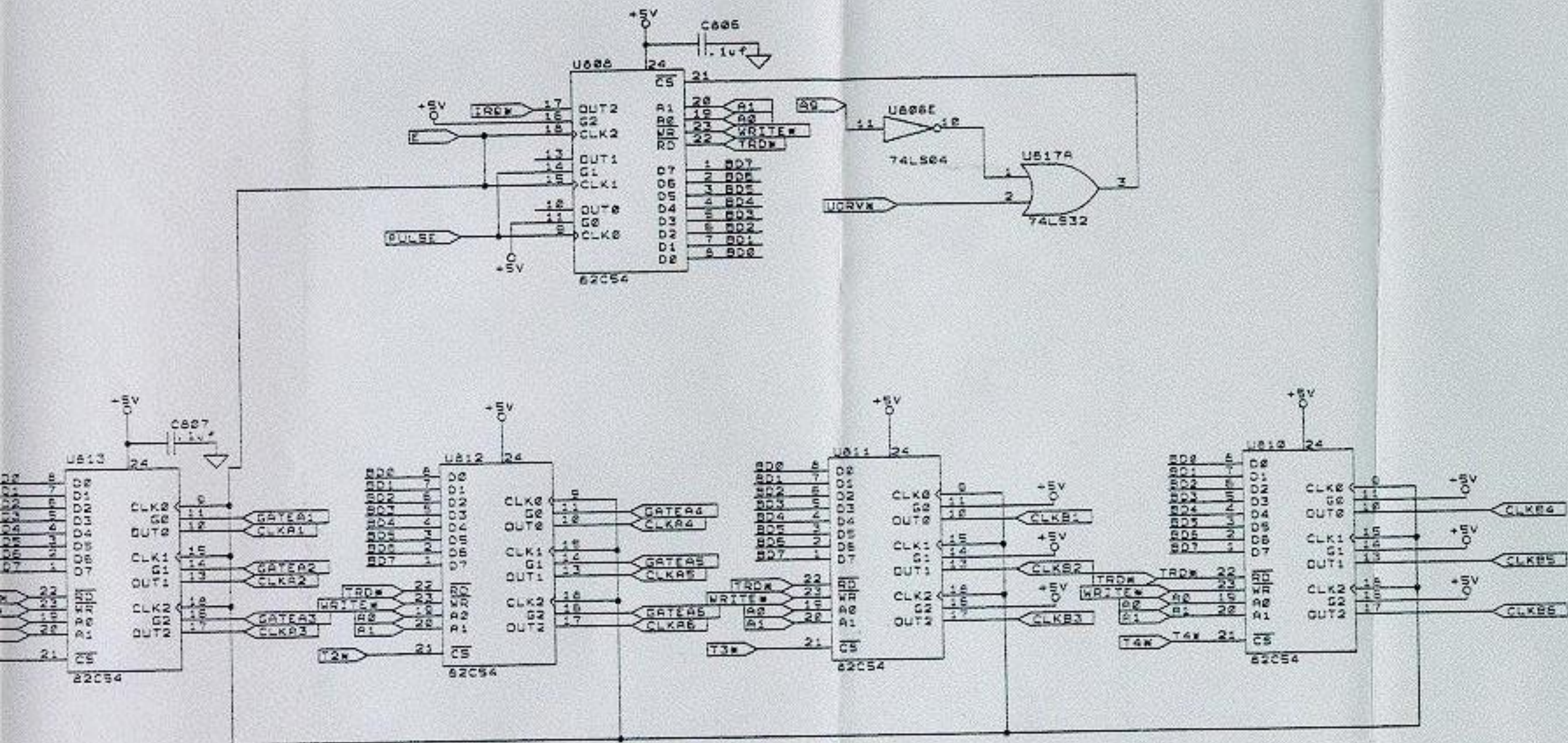
ECC-DERHEIM
2015 Davis Ave.
Cannock, CA. 90040-1704



ECC-UBERHEIM
 2015 Davis Ave.
 Concord, CA 94040-1704
 Title
 Matrix-1000 Processor

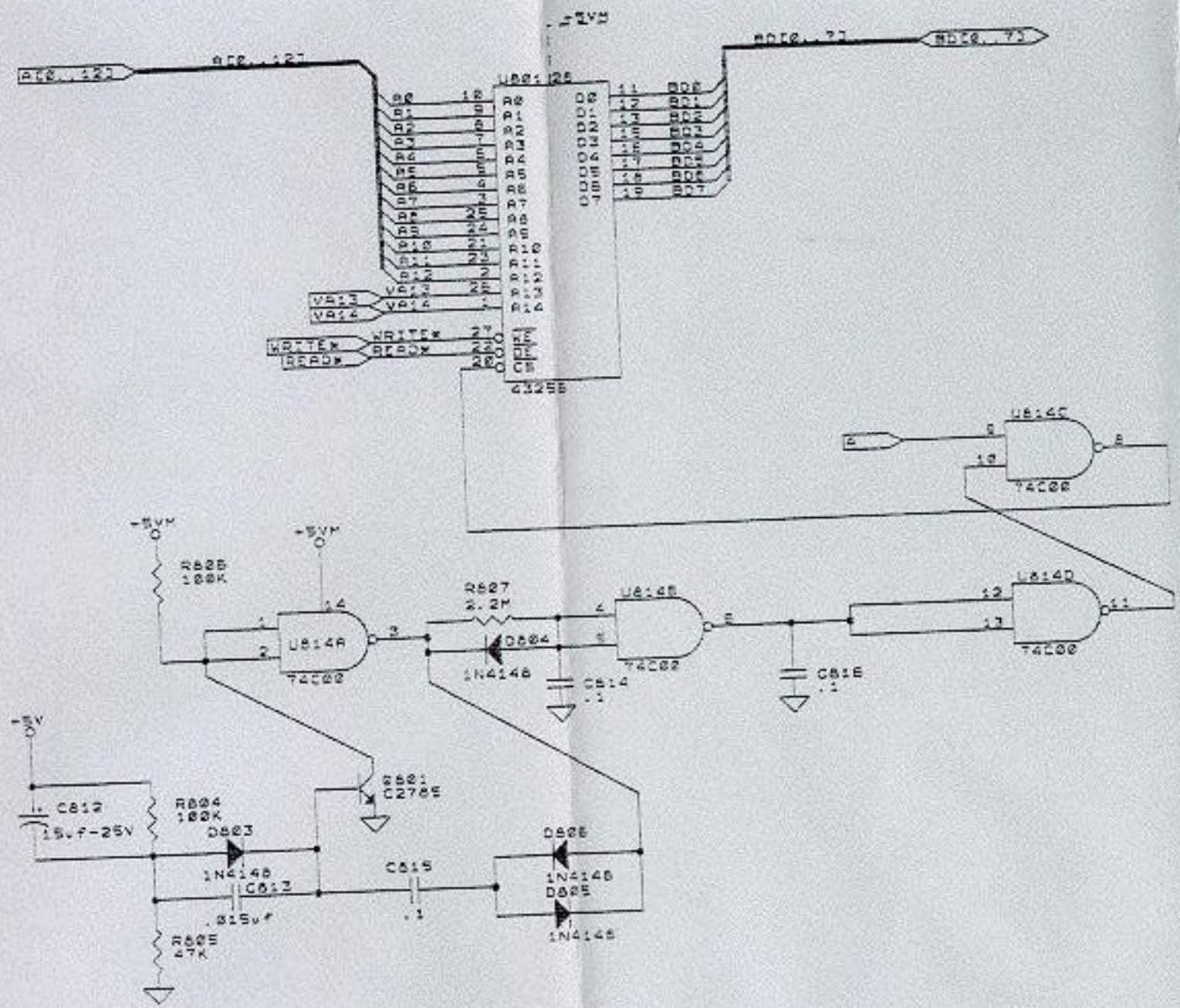


ECC/DERHEIM
2815 Davis Ave.
Schenectady, NY 12302-1184

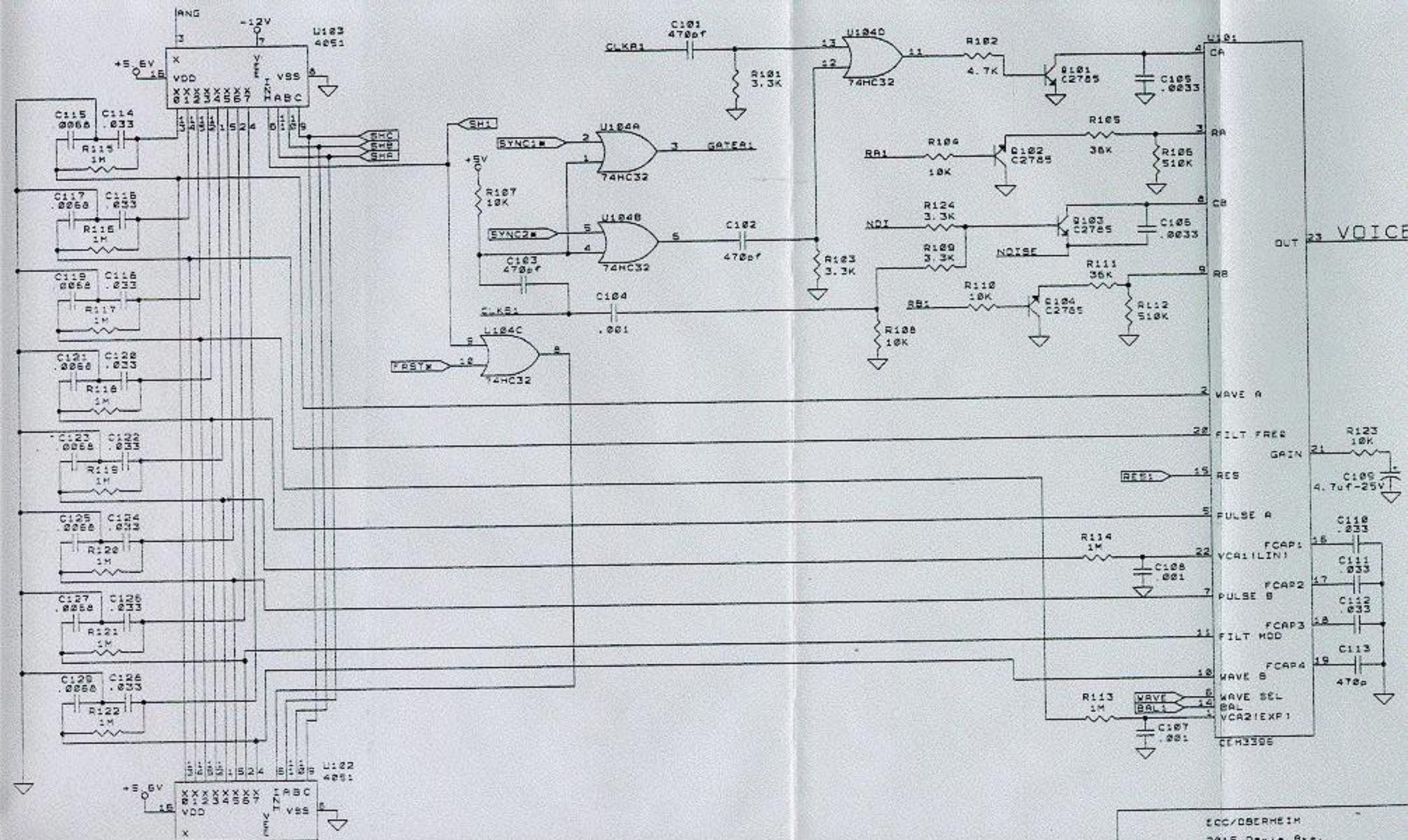


ECC/OBERHEIM
 2815 Davis Ave.
 Concord, CA. 94640-1784

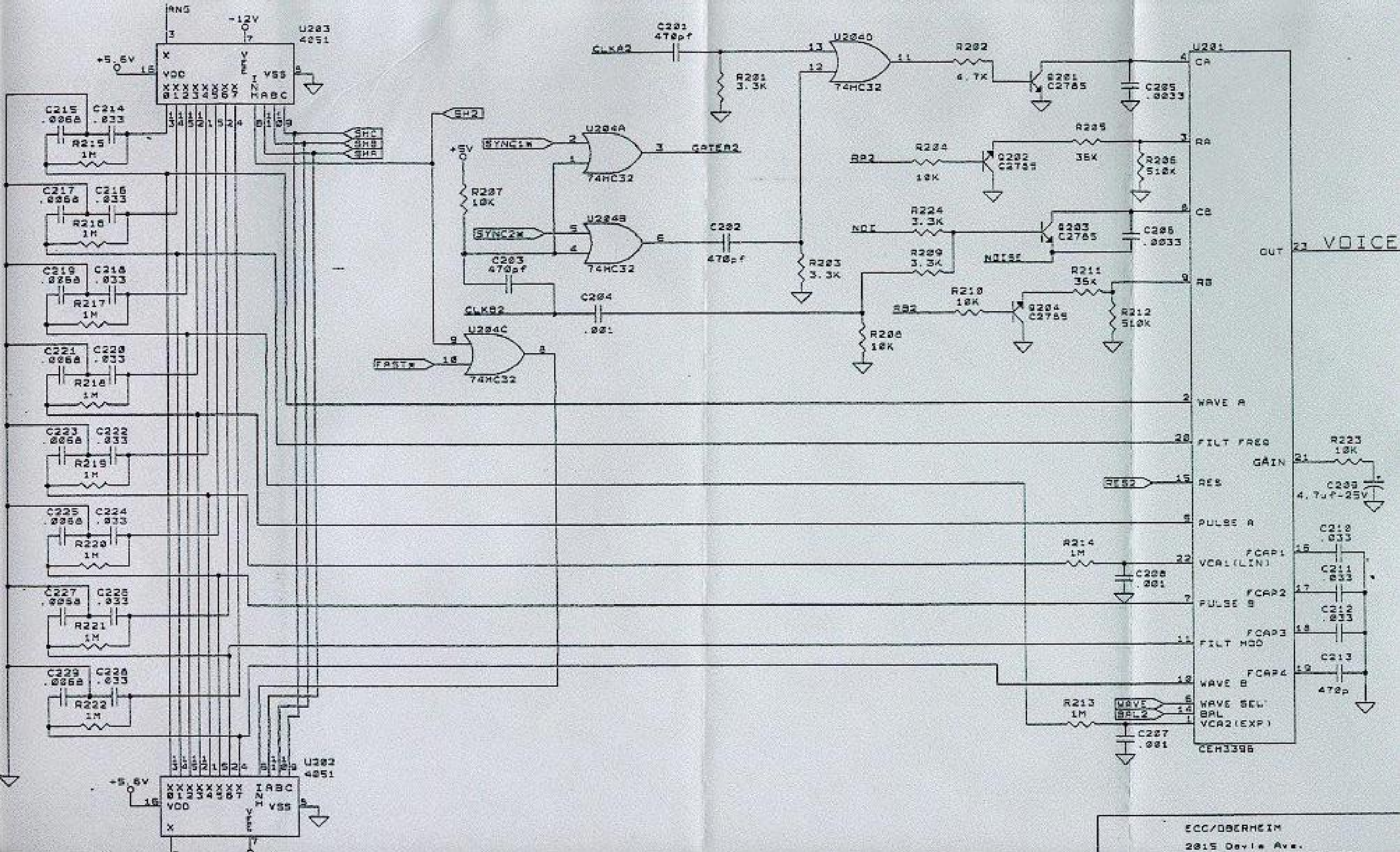
Title:
 Model: 1000 Tiger



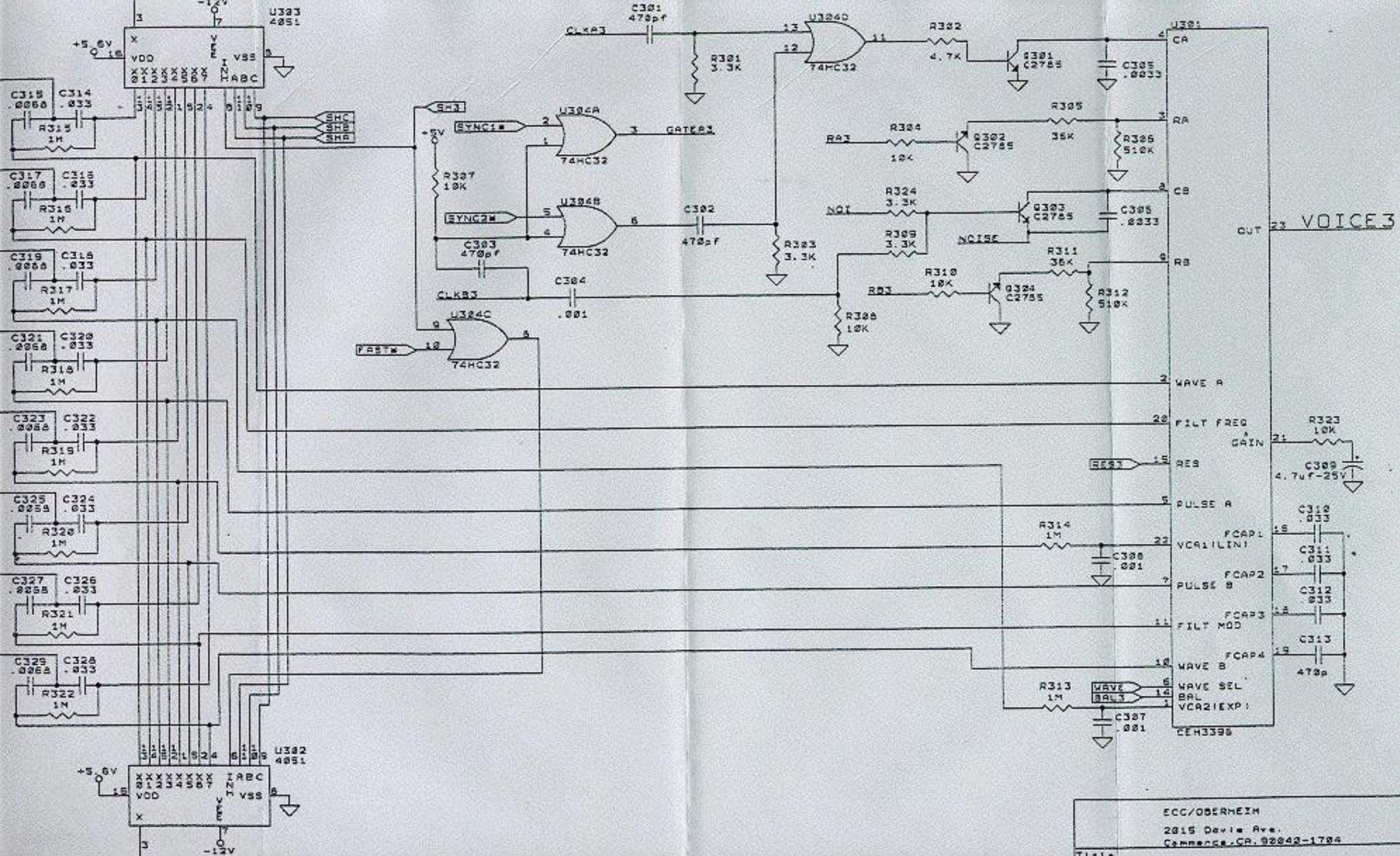
ECC/OBERHEIM	
2015 Davis Ave.	
Camarillo, CA, 93020-1784	
TITLE	Mat-IV-1000 CMOS
Doc. Number	2487
REV	B
Date: September 30, 1988	Sheet 5 of 12



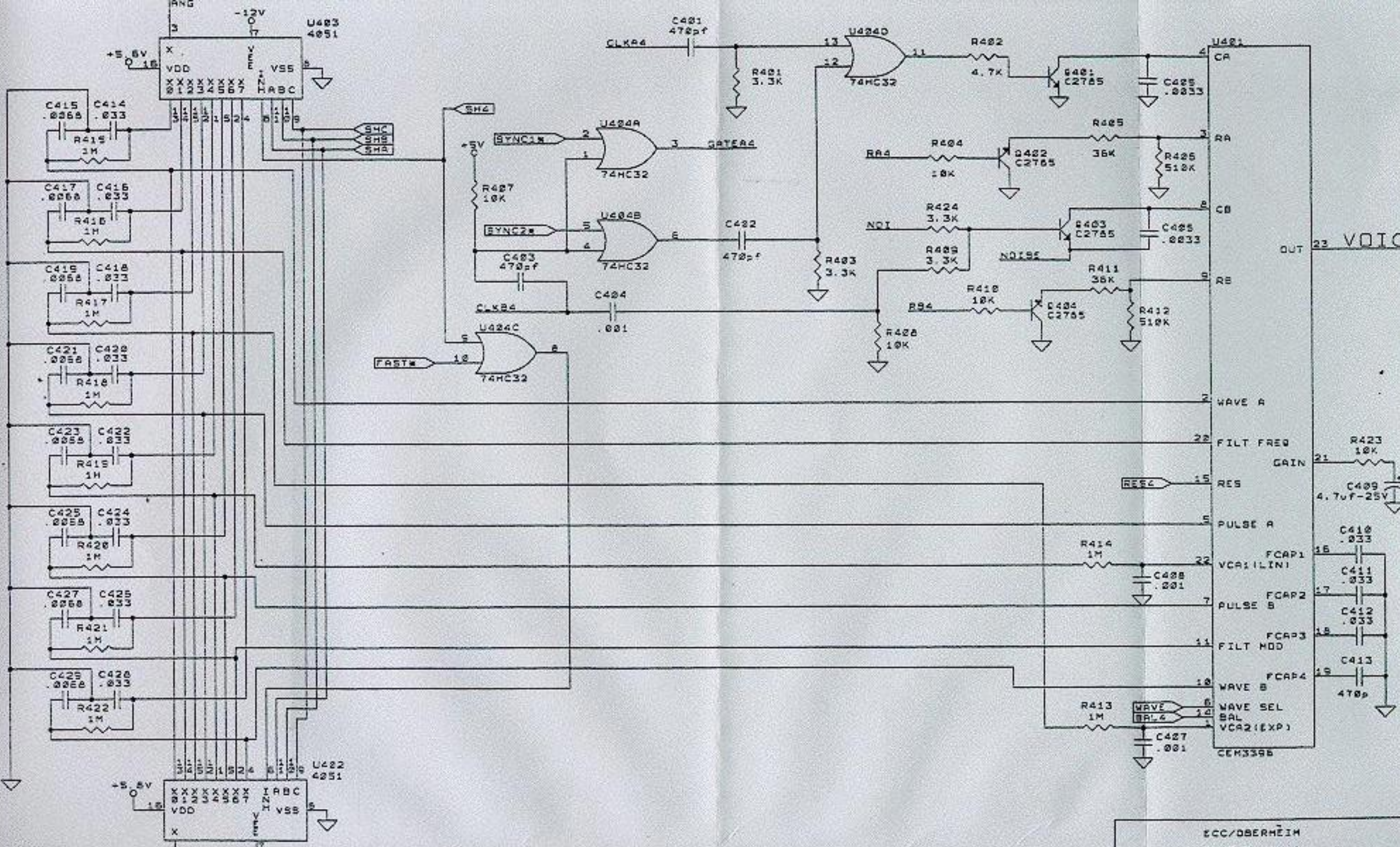
ECC/OBERHEIM
 2015 Davis Ave.
 Commerce, CA 92620-1704



ECC/DORHEIM
 2015 Devle Ave.



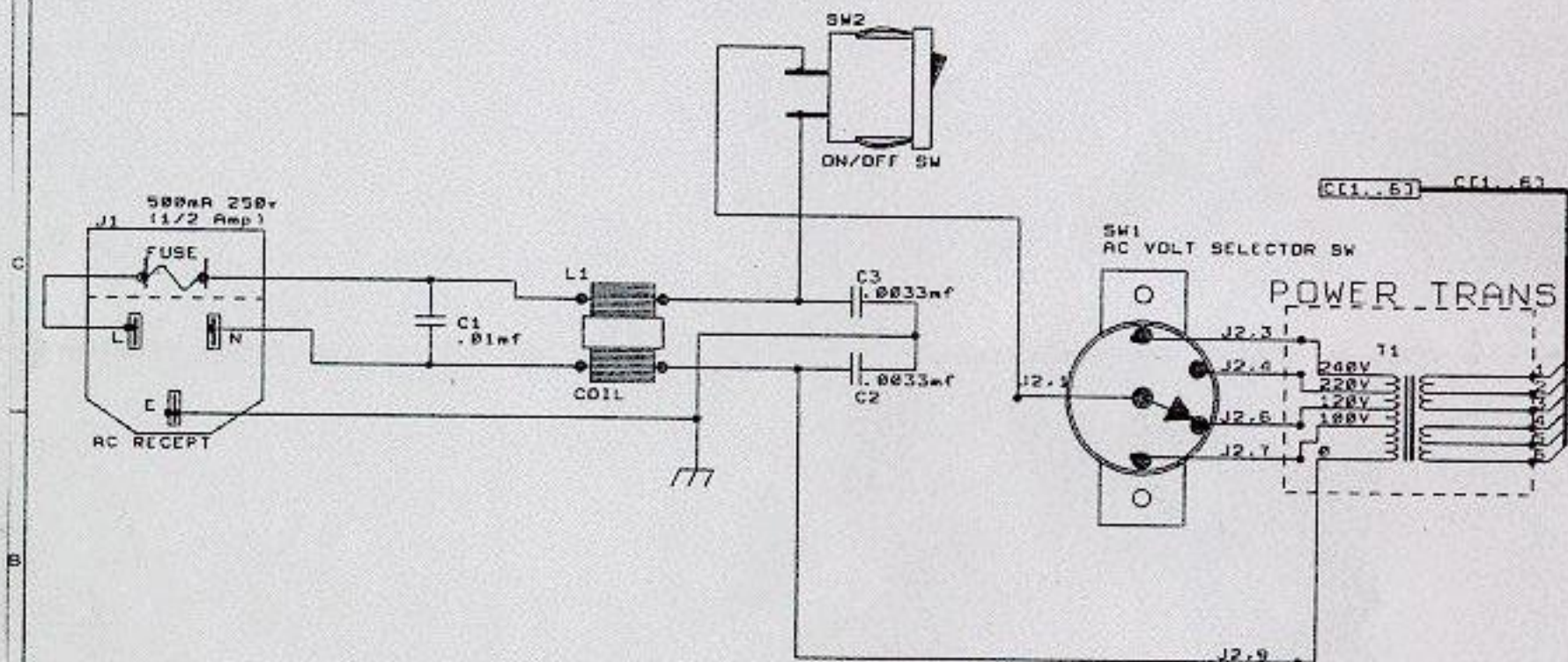
ECC/OBERHEIM
 2815 Devle Ave.
 Camarillo, CA. 92042-1785
 Title



ECC/OBERHEIM
 2815 Davis Ave.
 Campbell, CA 92009-1784

MATRIX-1000 FILTER (B)

* USE AFTER SERIAL NUMBER 850000 *

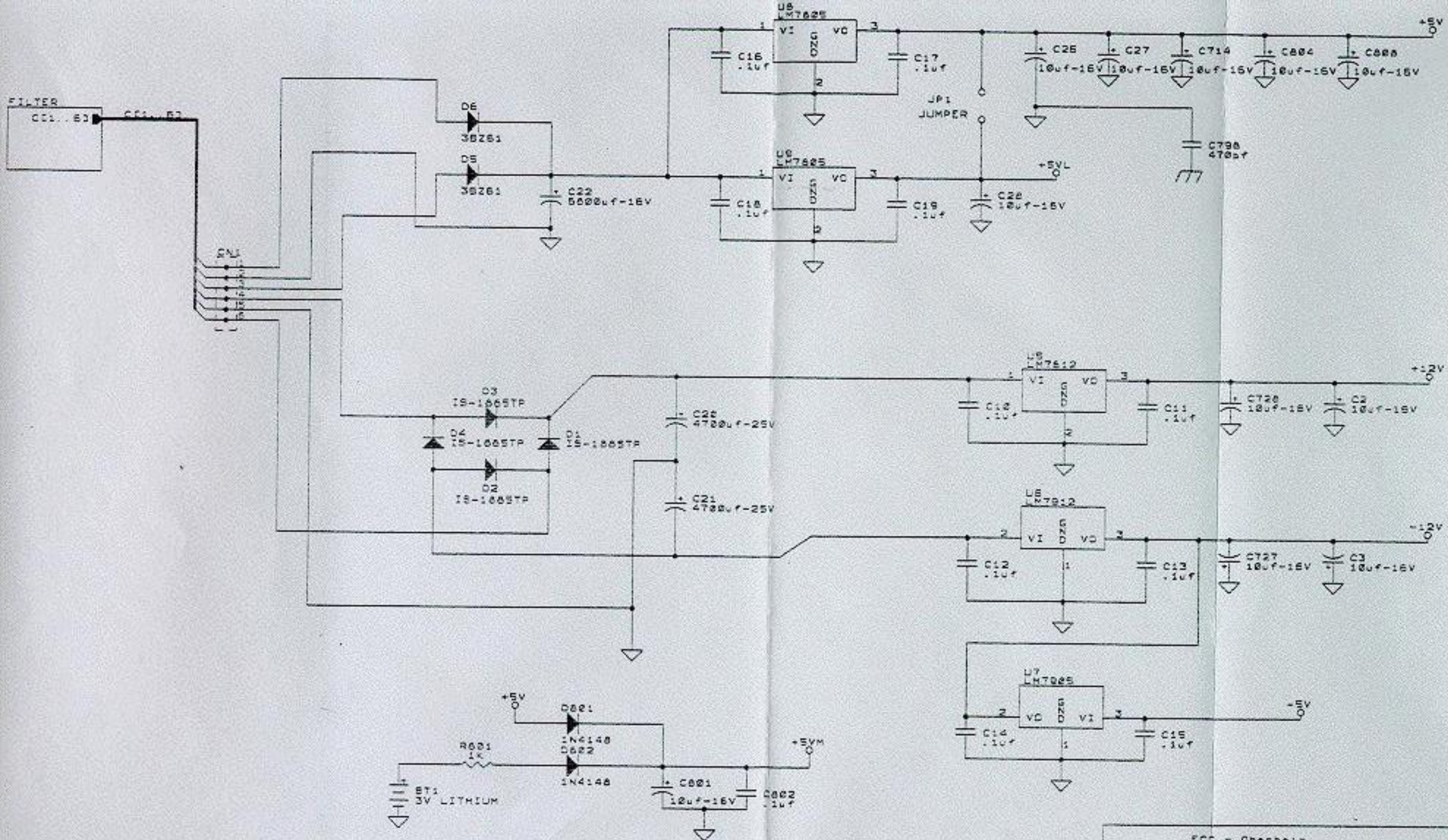


ECC/OBERHEIM
 2015 Davis Ave.
 Commerce, CA. 90048-1704

Title
 MATRIX-1000 FILTER (B)

Size	Document Number	REV
A	2446	B

Date: October 20, 1968 Sheet 1 of 1



ECC - Oberheim
 2215 Devie Ave.
 Carmel, CA 92040-1704

Title