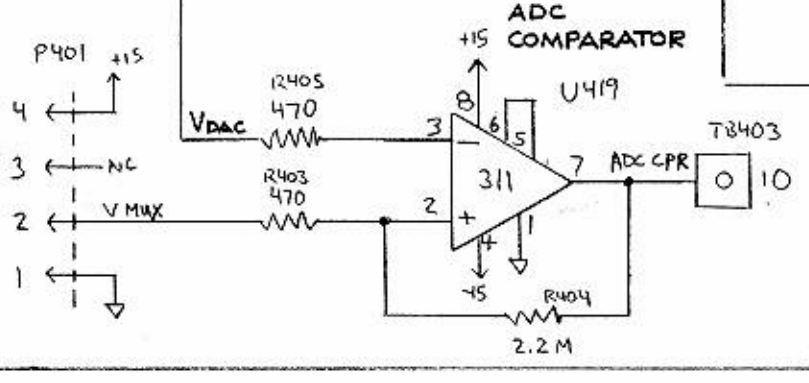
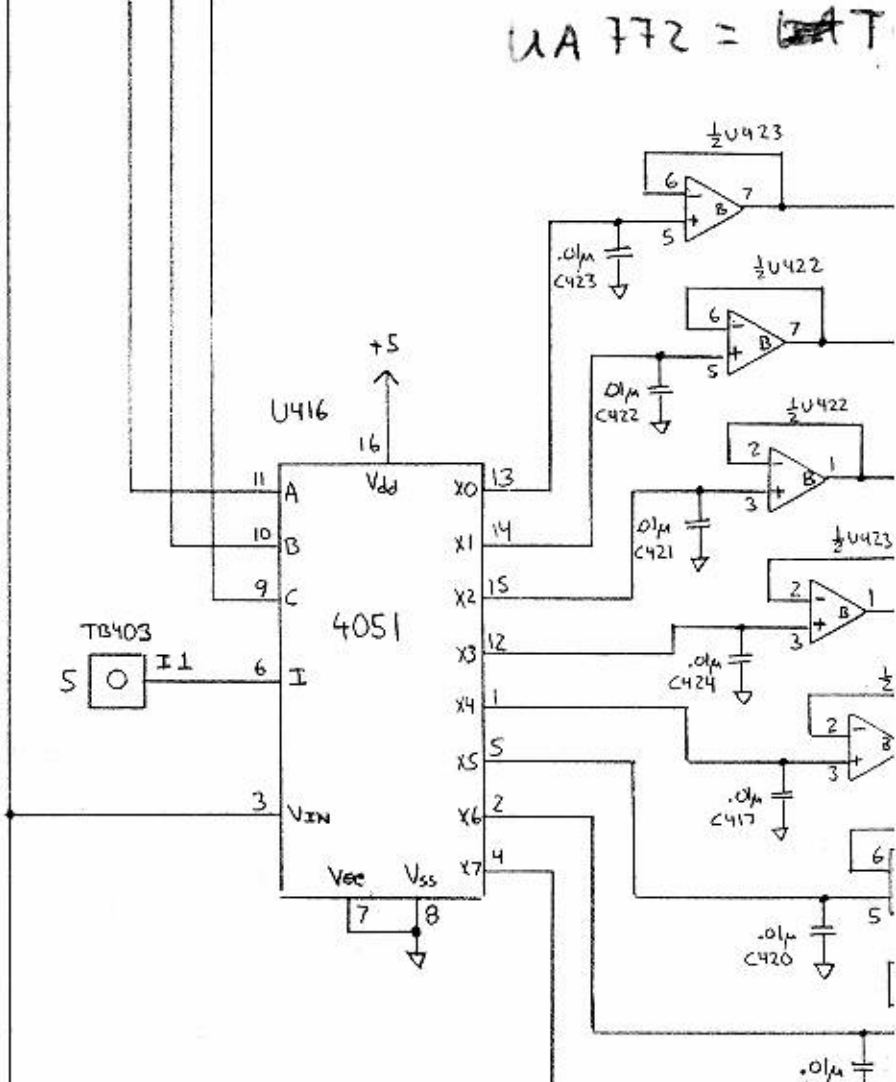
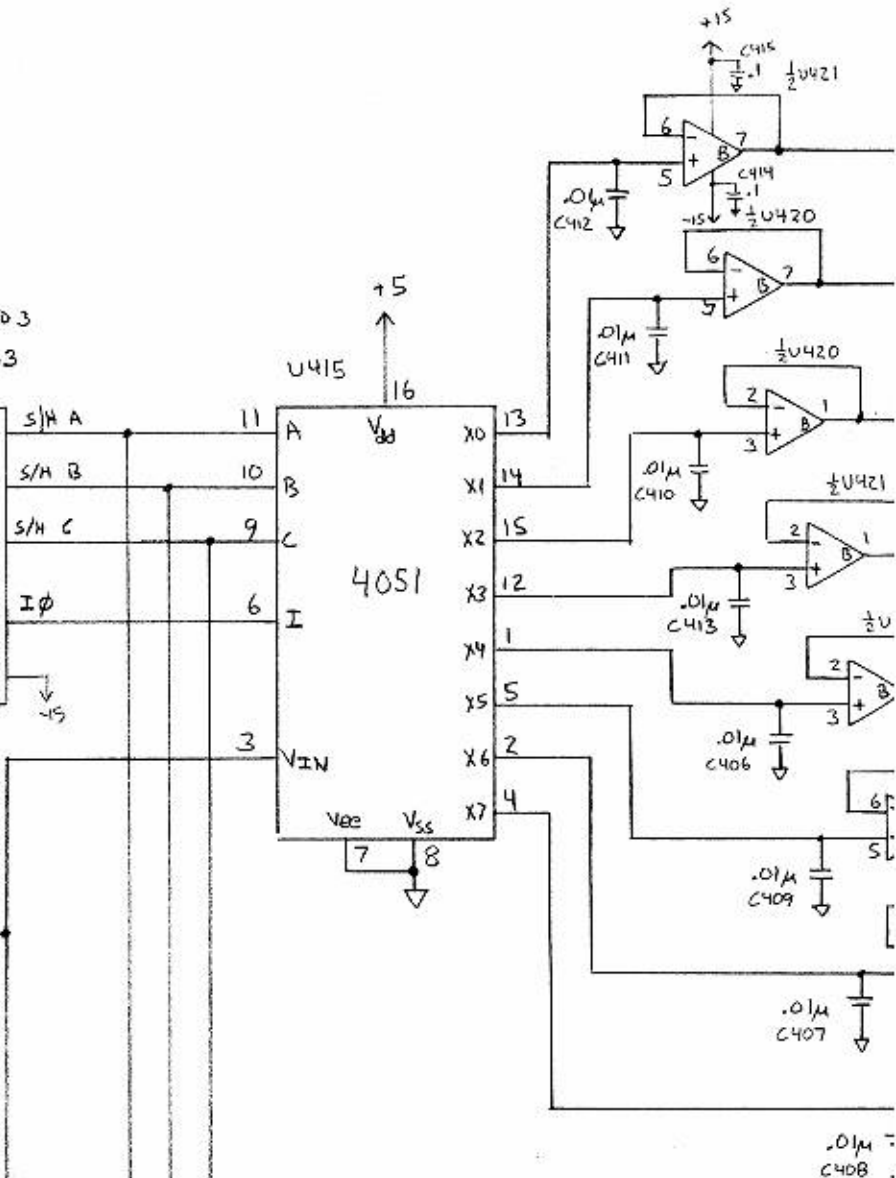
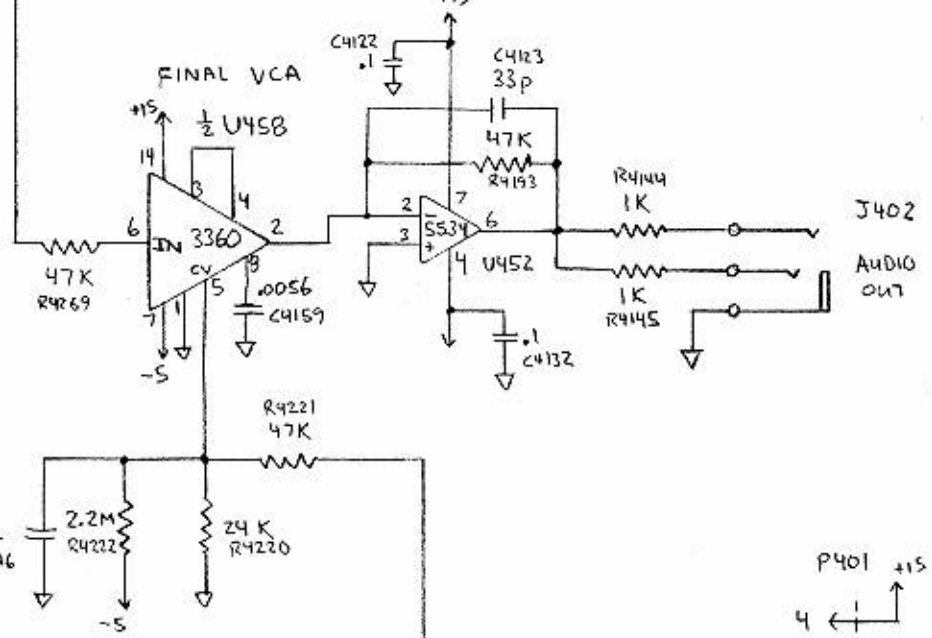
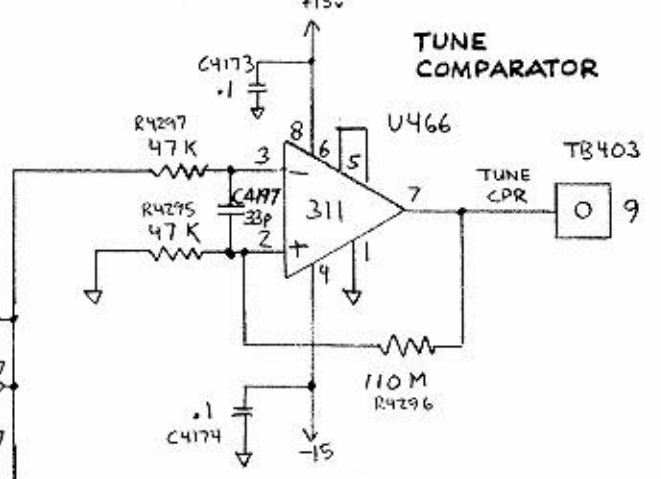
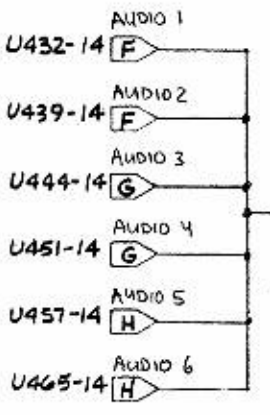
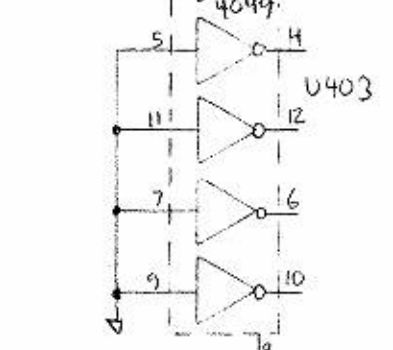
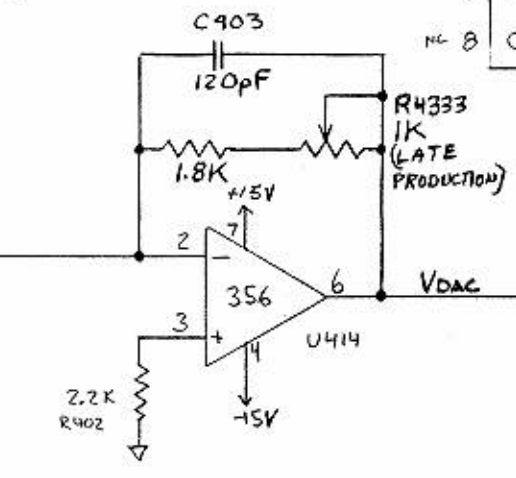
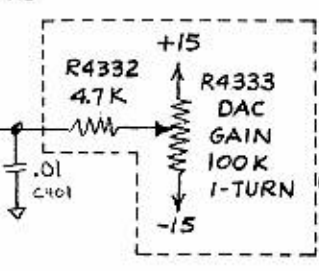
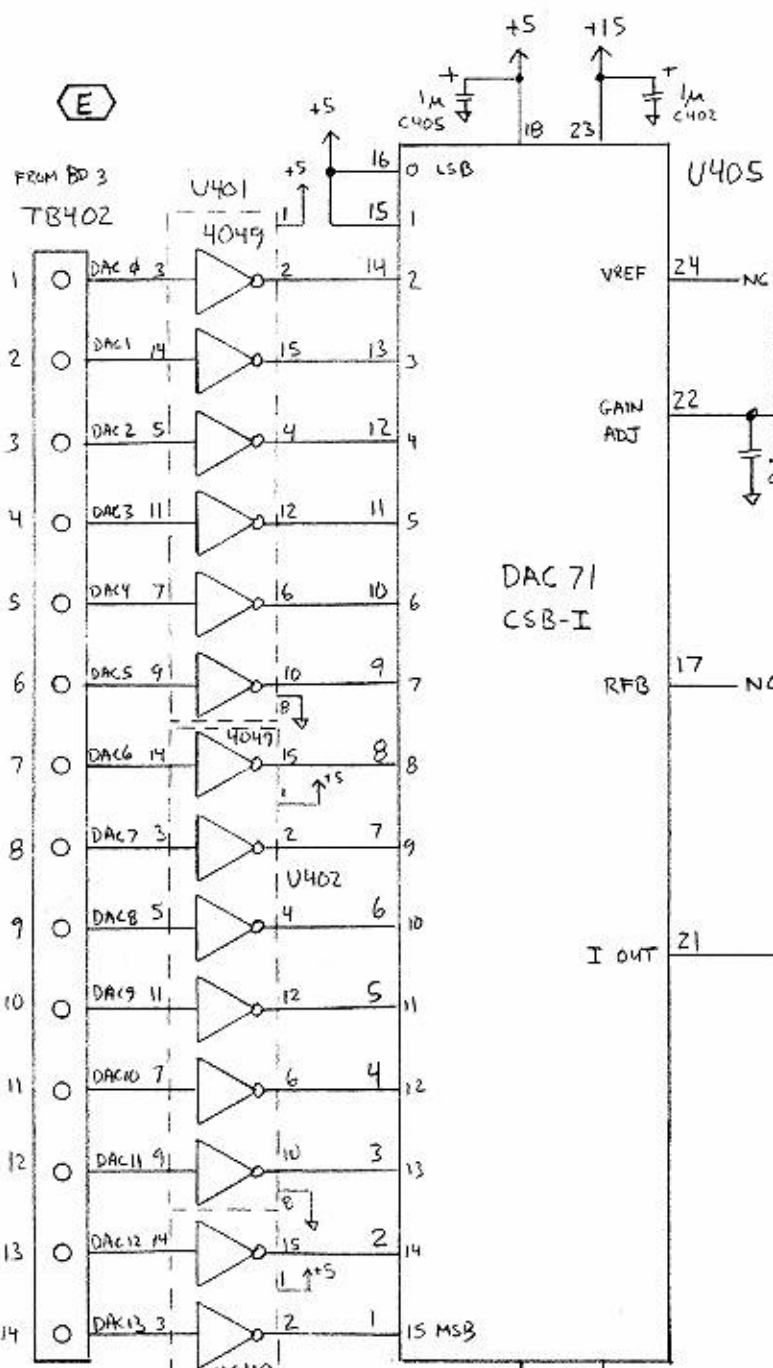
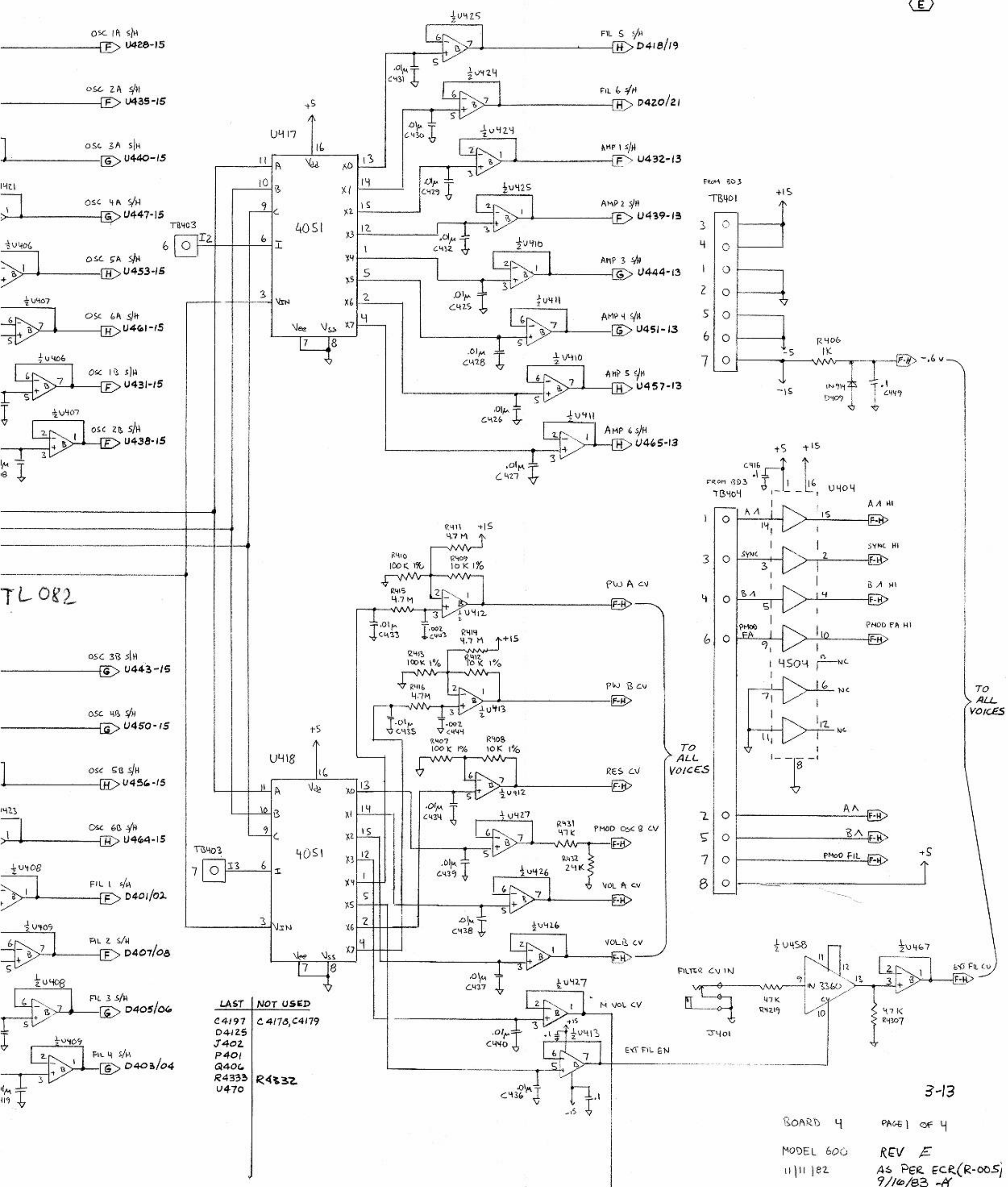


(E)



UA 772 = CAT

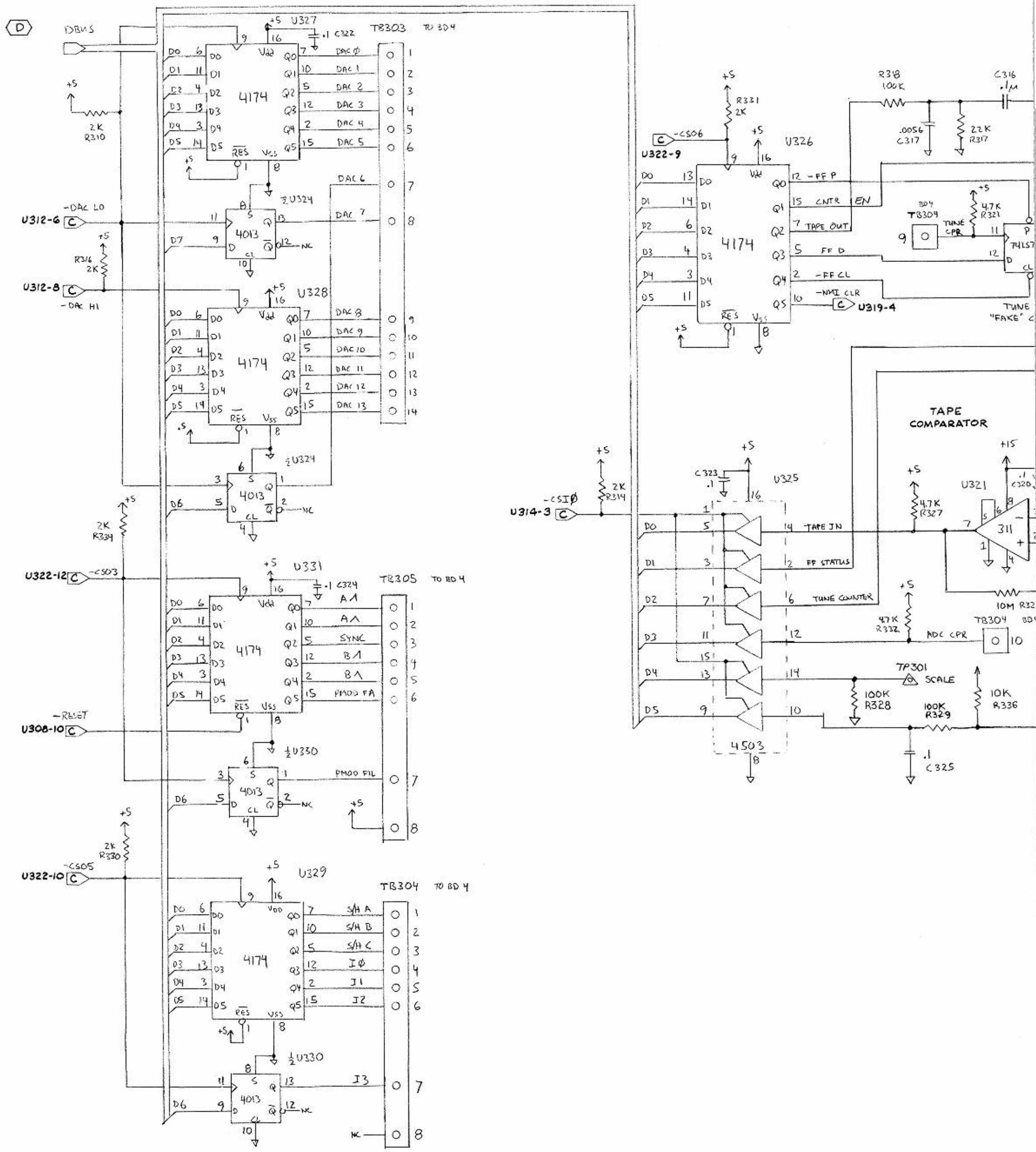


TL082

LAST	NOT USED
C4197	C4178, C4179
D4125	
J402	
P401	
Q406	
R4333	R4332
U470	

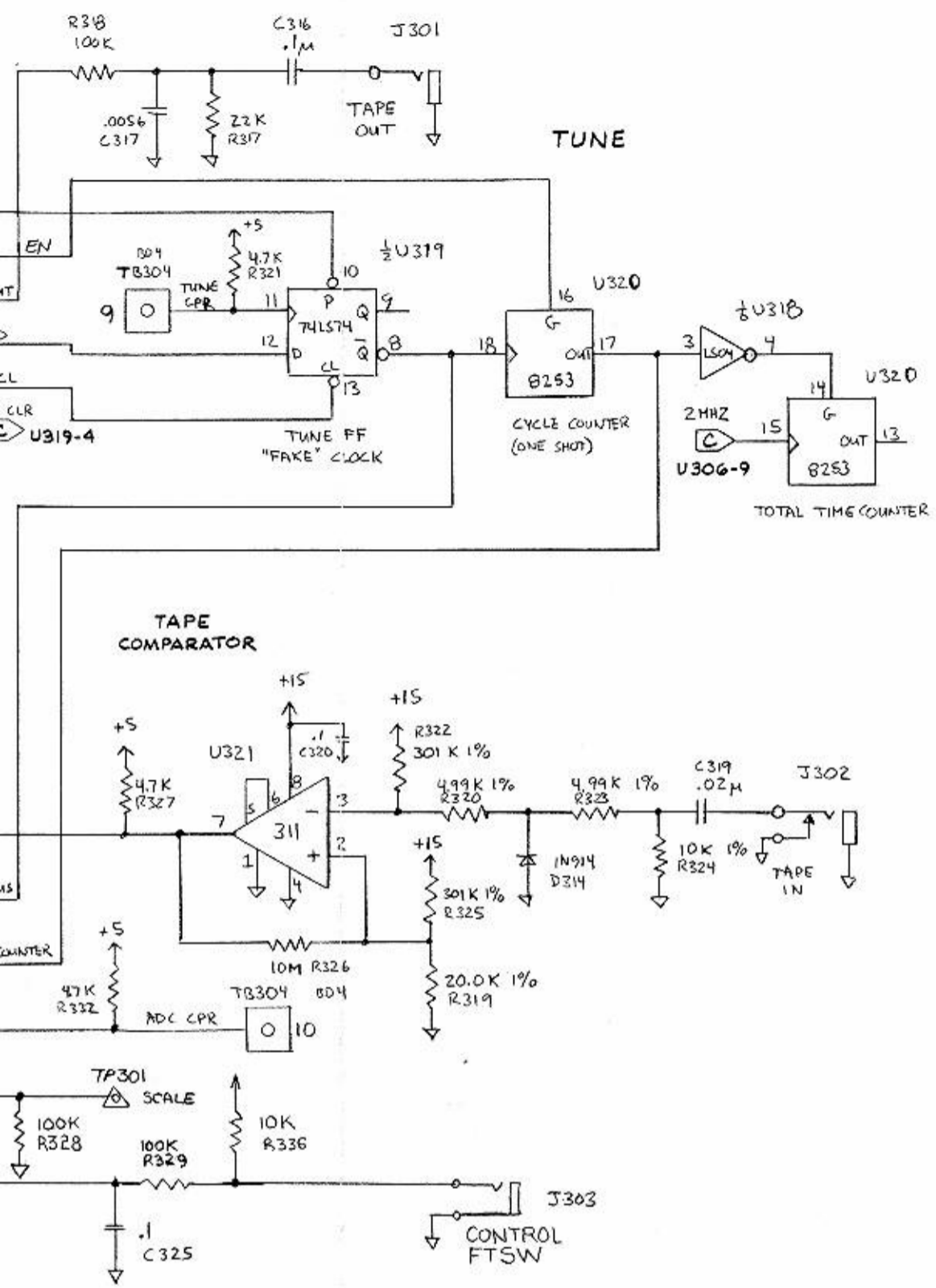
TO ALL VOICES

TO ALL VOICES



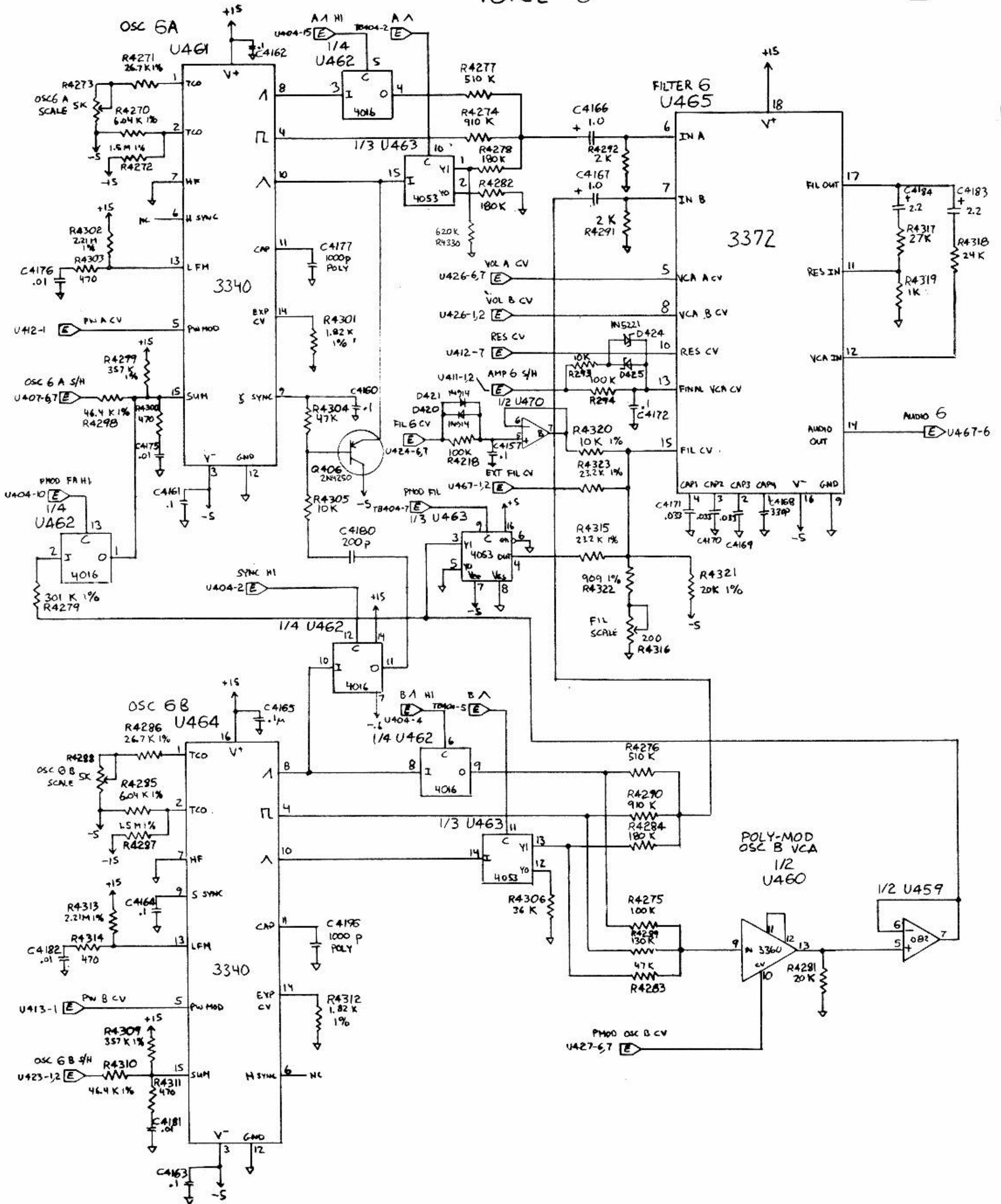
3-10

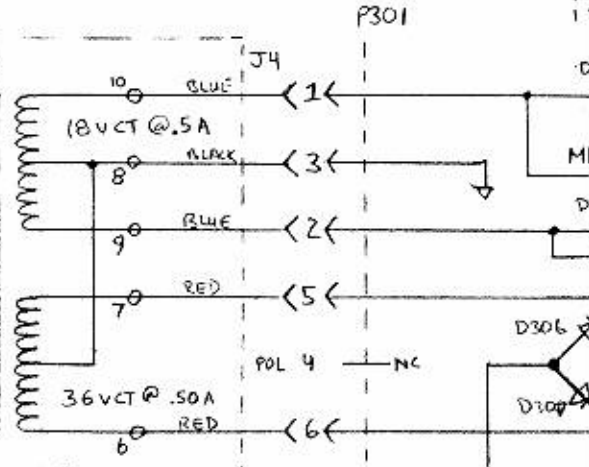
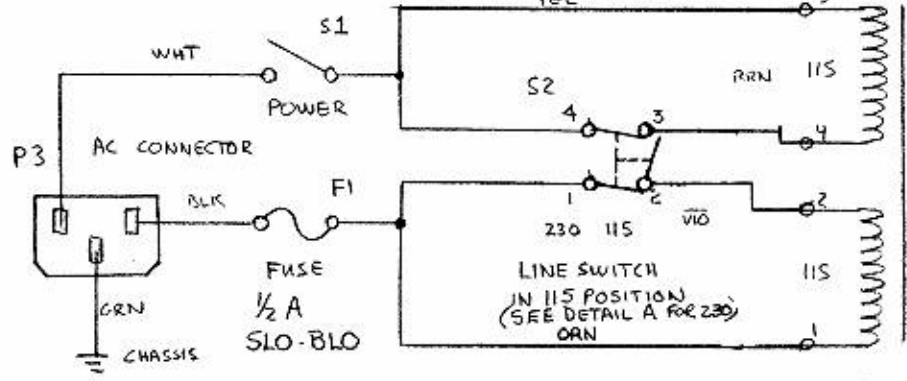
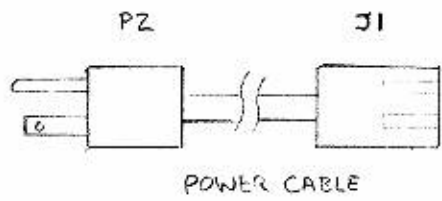
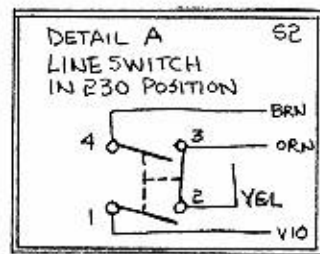
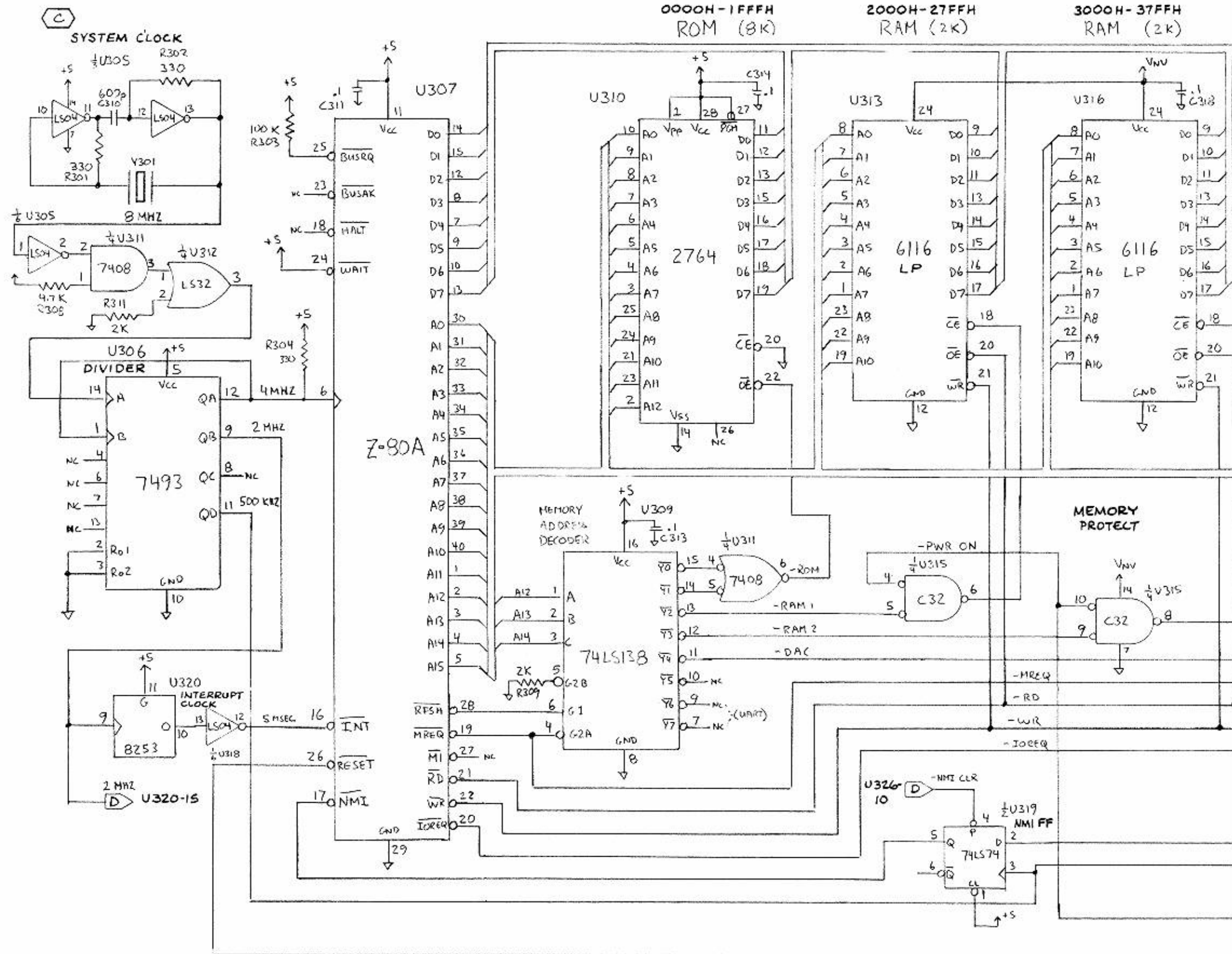
UNLESS OTHERWISE SPECIFIED DIMENSIONS ARE IN INCHES TOLERANCES ARE: FRACTIONS DECIMALS ANGLES		J H G F E D C B A LTR		SEQUENTIAL CIRCUITS INC	
MATERIAL		APPROVALS		DATE	
FINISH		DWN DAVE		11/2/82	
DO NOT SCALE DRAWING		CHK		TITLE	
FIRST LAST S/N		OSN		BOARD 3 SCHEMATIC	
DATE		PEN		SER	
REVISION		ISS		MODEL NO 600	
				DOCUMENT NO	
				SD 600-3	
				REV	
				D	
				SCALE - SHEET 2 OF 2	



VOICE 6

(H)





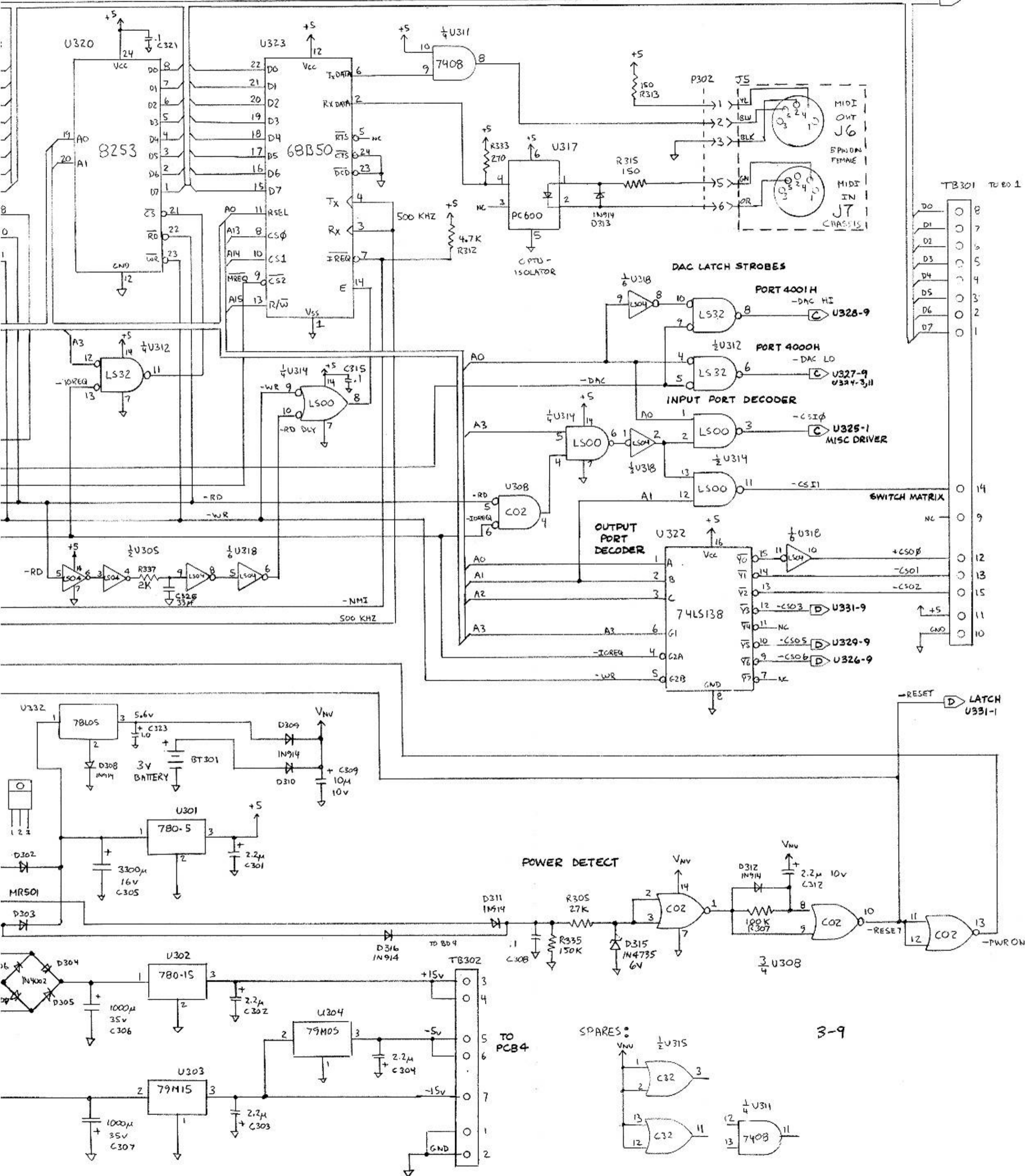
UNLESS OTHERWISE SPECIFIED DIMENSIONS ARE IN INCHES TOLERANCES ARE: FRACTIONS DECIMALS ANGLES 1/16 1/32 1/16		SEQUENTIAL CIRCUITS INC APPROVALS: DWN DAVE DATE: 11/2/82 TITLE: BOARD 3 SCHEMATIC SIZE: MODEL NO: 600 DOCUMENT NO: SD600-3 REV: D SCALE: SHEET 1 OF 2	
MATERIAL		REVISION	
FINISH	4-15-83	ADD R337-C ADD R335; DELETE R306; ADD D313, 16; CHANGE C308 TO D346	
DO NOT SCALE DRAWING	PREPARED BY: S/N	DATE	FOR: NAME

LAST	NOT USED
C325	D301
BT 301	
D316	CHASSIS
J303	
P302	
R335	

TIMER

6000H/8000H
UART

DBUS (C)



TB301 TB 80 1

SWITCH MATRIX

LATCH U331-1

TB302

POWER DETECT

SPARES:

3-9

TO PCB4

TO PCB4

TO PCB4

TO PCB4

TO PCB4

TO PCB4

YOU WILL NOTE THERE HAS BEEN A CHANGE OF PART NUMBERS AND TRANSISTORS WHICH MAY TEND TO BE CONFUSING UPON REPLACEMENT. BELOW IS A LISTING OF PARTS, PART NUMBERS AND THEIR REPLACEMENTS. IN ADDITION, PLEASE NOTE LOCATION OF TRANSISTORS BEFORE REPLACEMENT.

NEW PART NUMBERS MODEL & STARTING SERIAL NUMBERS	"OLD" PART NUMBER MODEL & STARTING SERIAL NUMBERS	MANUFACTURER'S EQUIVALENT	"OLD" PART NUMBERS MODELS AND APPROX. STARTING SERIAL NO.	MANUFACTURER'S EQUIVALENT
200-73257 203-73414 214-73397	200-58050 203-56403 203W-56491 206-57144 207-55921 214-57776		200-55900 203-55256 206-56501 207-54029 214-57777	
TR-1 202051 TR-2 202052 TR-3 202073 TR-4 202053 TR-5 202073 TR-6 202073 TR-7 202054 TR-8 202055 TR-9 202066 TR-10 202067	11-0778 11-0778 11-0778 11-0775 11-0778 11-0778 11-0774 11-0770 11-0772 11-0773	2N2926 2N2926 2N2926 2N5306 2N2926 2N2926 2N3859A 2N4919 2N5191 2N5194	11-1667* 11-1668* 11-0778 11-0775 11-0778 11-0778 11-0774 11-1502* 11-1501* 11-1503* (*CHANGED)	2N6008 2N5998 2N2924 2N5306 2N2924 2N2924 2N3859A MJE2371 MJE2021 MJE2011
<u>ITEM</u>	<u>NEW PART NUMBERS</u>			
D-1, D-2, D-3, D-4	202050	11-0769 11-0771	GE-A13, 1N4005 GE-A13, 1N4005	11-1500 (11-0769) 11-0781
D-5, D-6	202049	11-0781	1N4148	11-0781

SEE PAGE 37 FOR TRANSISTOR
LEAD CONFIGURATION.

