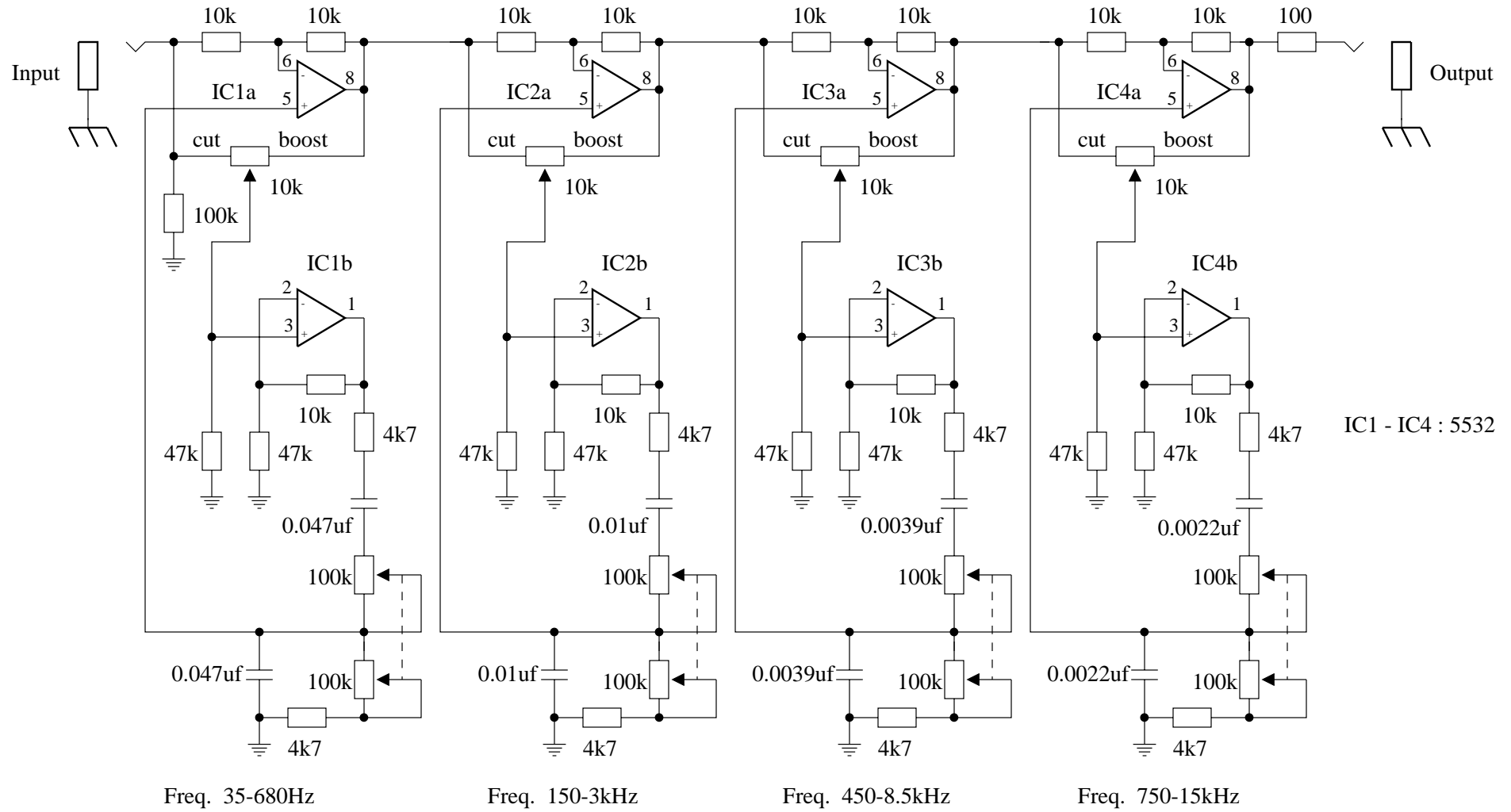


Originally designed by Jules Rychkebusch



IC1 - IC4 : 5532

