



scooter

G50

G 50 T

G 80

EDITION 1965

CATALOGUE OF SPARE PARTS

www.rpv.it



Scooter G 50 (right side view)



Scooter G 80 (left side view)

ORDERS FOR SPARE PARTS

In order to avoid misunderstandings and facilitate the task of the Spare Parts Depot, please set out your telegraphic orders as follows:

NUMBER OF PART
DESCRIPTION OF ITEM IN HEAVY PRINT
QUANTITY REQUIRED

Each separate item should be followed by the word STOP.

Example: If 2nd gear wheel and three clutch plates are required:

SEND 45102 GEAR 1 STOP 45081 PLATE 3 STOP.

www.rpw.it

LIST OF TABLES IN THE SPARE PARTS CATALOGUE

SCOOTER	Complete (right side view)		Page	1
	Complete (left side view)		»	1
ENGINE	Cylinderhead - Crankcase - Ventilation cowl	Table 1	»	5
	Crankshaft - Piston - Timing - Oil pump	» 2	»	7
	Clutch - Gearbox - Starting	» 3	»	9
	Silencer - Carburettor - Breather	» 4	»	11
BODY	Fuel tank - Saddle - Rear suspension - Carrier	» 5	»	13
	Fuel tank - Saddle - Rear suspension - Number plate holder	» 5a	»	15
	Frame - Luggage carrier - Bonnet (GB); Engine hood (US) - Stand	» 6	»	17
STEERING AND WHEELS	Handlebar - Front suspension	» 7	»	19
	Handlebar - Front suspension - 2nd series	» 7a	»	21
	Wheel and front brake	» 8	»	23
	Wheel and front brake - 2nd series	» 8a	»	25
	Wheel and rear brake	» 9	»	27
	Wheel and rear brake - 2nd series	» 9a	»	29
WIRING	Magneto - Sparking plug - Front lights - Rear lights - Electric horn - Switch - Wiring	» 10	»	31
	Magneto - Sparking plug - Front lights - Rear lights - Electric horn - Switch - Wiring	» 10a	»	35
ACCESSORIES AND TOOLS	Tooling - Wheel support - Anti-theft device - Speedometer	» 11	»	39

KEY TO ABBREVIATIONS IN THE CATALOGUE

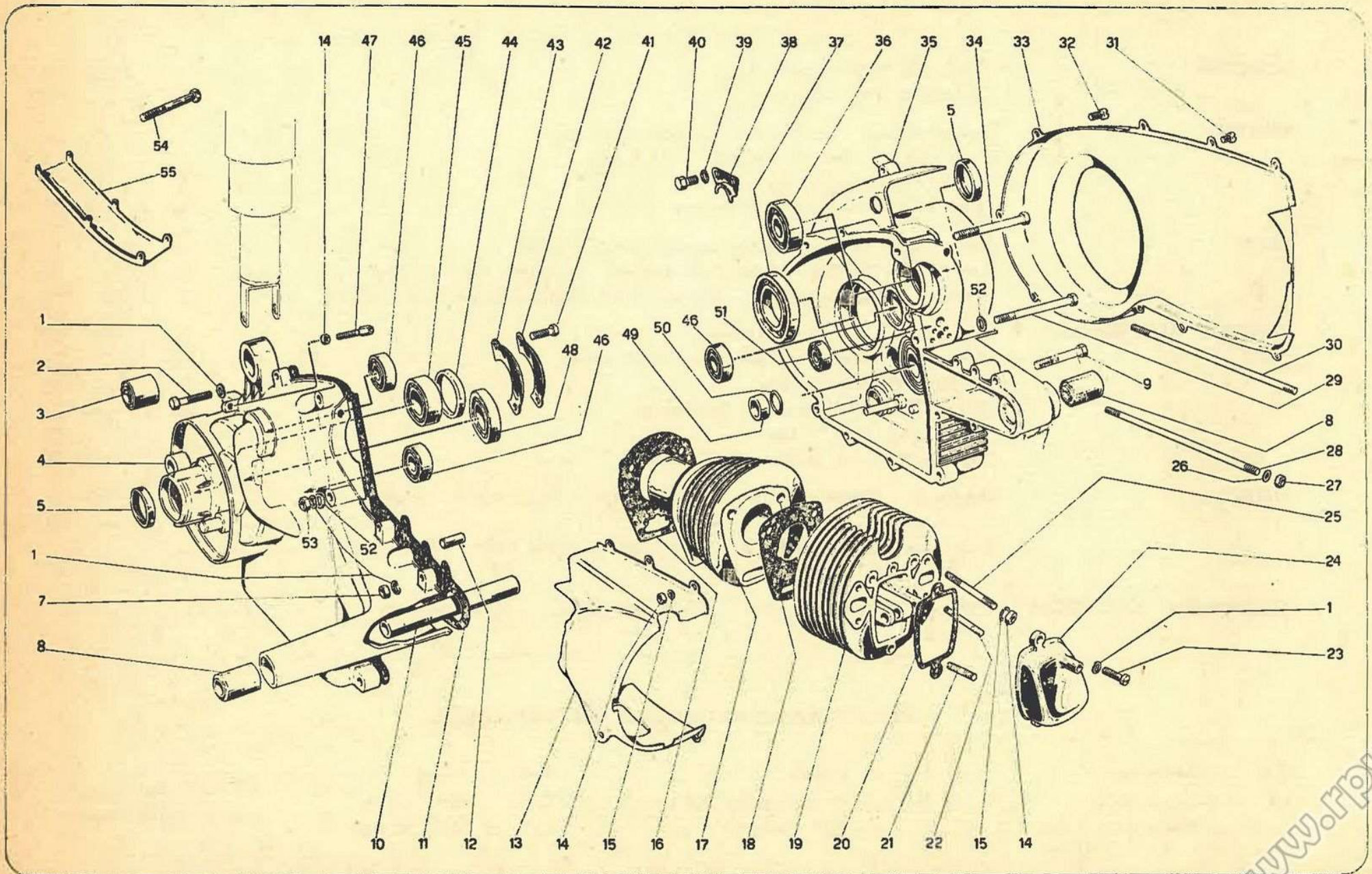
N.D. = New data
T.E. = To engine
N.D.T. = New data table

Fig. = Figure
M.T. = Modifications table
F.E. = From engine

Tab. = Table
O.E. = On engine
O.S. = Only spare

GB = Great Britain
US = United States

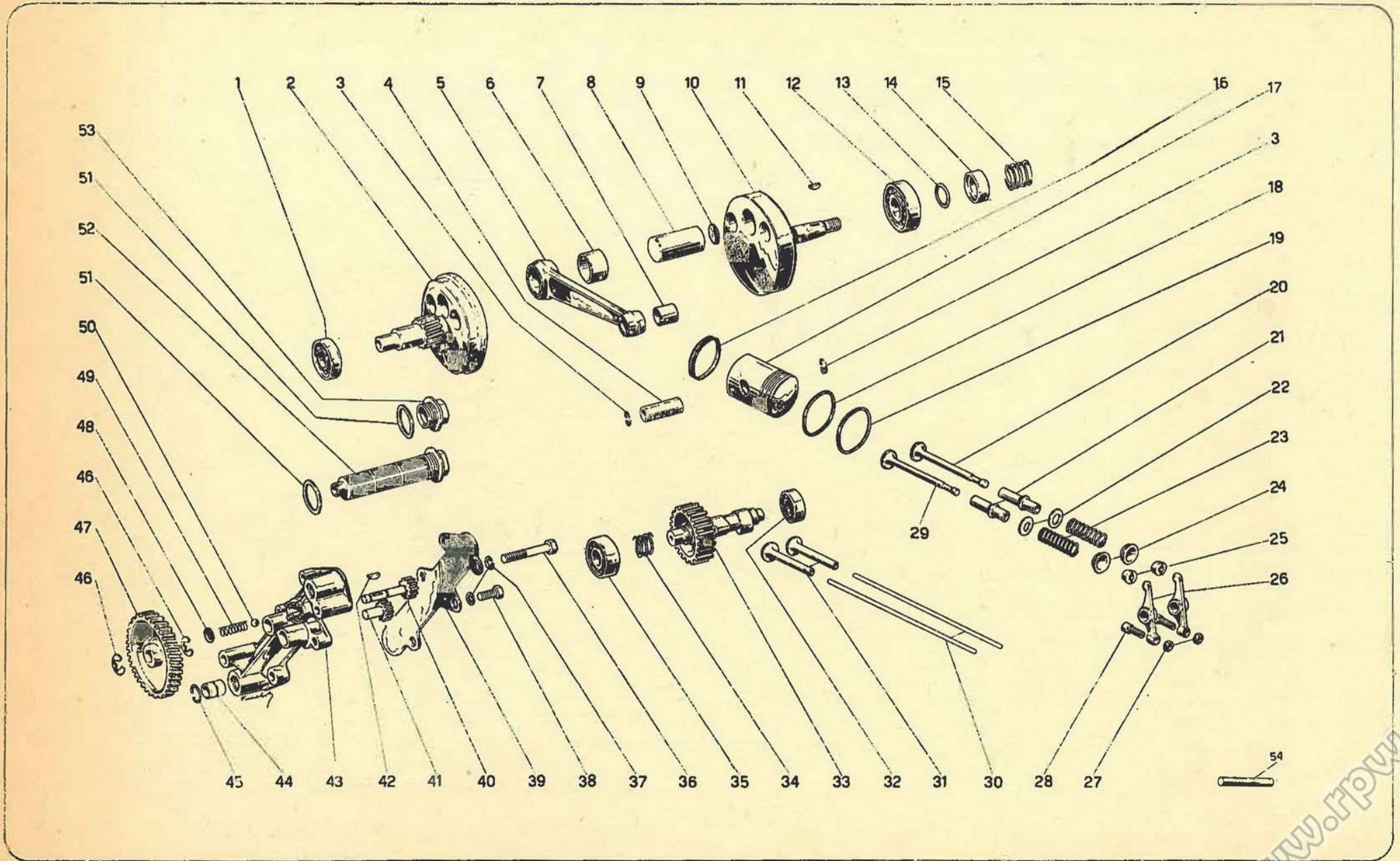
Tab. 1 — ENGINE (GB); MOTOR (US) - Head and cylinder - Crankcase (GB); Housing (US) - Ventilation cowl.



Tab. 1 — ENGINE (GB); MOTOR (US) - Head and cylinder - Crankcase (GB); Housing (US) - Ventilation cowl.

Refer. number	Part number	DESCRIPTION	Quantity	Refer. number	Part number	DESCRIPTION	Quantity
	45136	ENGINE CRANKCASE (the whole made up of 4 - 12 - 35 - 49)	1	25	45344	Long stud bolt	1
	45808	ENGINE CRANKCASE (the whole made up of 4 - 12 - 35 - 49 (G. 80))	1	26	6468	Washer	3
1	45148	Washer	17	27	21025	Nut	3
2	11462	Screw	1	28	45025	Short stud bolt	1
3	45058	Distance piece	1	29	45049	Long screw	1
4	45021	Crankcase (right)	1	30	45024	Long stud bolt	2
4	45810	Crankcase (right) G. 80)	1	31	6053	Short screw	5
5	24966	Holding ring	2	32	9839	Long screw	4
7	6116	Nut	13	33	45458	Ventilation cowl	1
8	45032	Distance piece	2	34	45041	Medium screw	1
9	9831	Short screw	9	35	45137	Left crankcase	1
10	45033	Distance spacer	1	35	45809	Left crankcase (G. 80)	1
11	45030	Gasket	1	36	6618	Bearing	1
12	29423	Pin	2	37	45029	Bearing	1
13	45459	Ventilation cowl cover	1	38	45026	Shoulder plate	1
14	7166	Nut	11	39	6476	Washer	2
15	6475	Washer	11	40	6505	Screw	2
16	45017	Cylinder base gasket	1	41	6095	Screw	2
16	45841	Cylinder base gasket (G. 80)	1	42	45423	Lock plate	1
17	45016	Cylinder	1	43	45422	Plate	1
17	45842	Cylinder (G. 80)	1	44	45421	Spacer	1
18	45018	Cylinder head gasket	1	45	24729	Bearing	1
18	45843	Cylinder head gasket (G. 80)	1	46	01.2016	Bearing	3
19	45000	Cylinder head	1	47	45034	Adjuster	4
19	45800	Cylinder head (G. 80)	1	48	45028	Bearing	1
20	45015	Cover gasket	1	49	45267	Bushing	1
21	45174	Stud bolt	2	50	45041	Gasket	1
22	45345	Short stud bolt	1	51	45027	Bearing	1
23	21631	Screw	2	52	45493	Washer	2
24	45138	Rocker arms cover	1	53	11744	Nut	1
				54	29379	Long screw	3
				55	45747	Crankcase skid plate	1

Tab. 2 — ENGINE (GB); MOTOR (US) - Crankshaft - Piston - Timing shaft (camshaft) - Oil pump and filter.

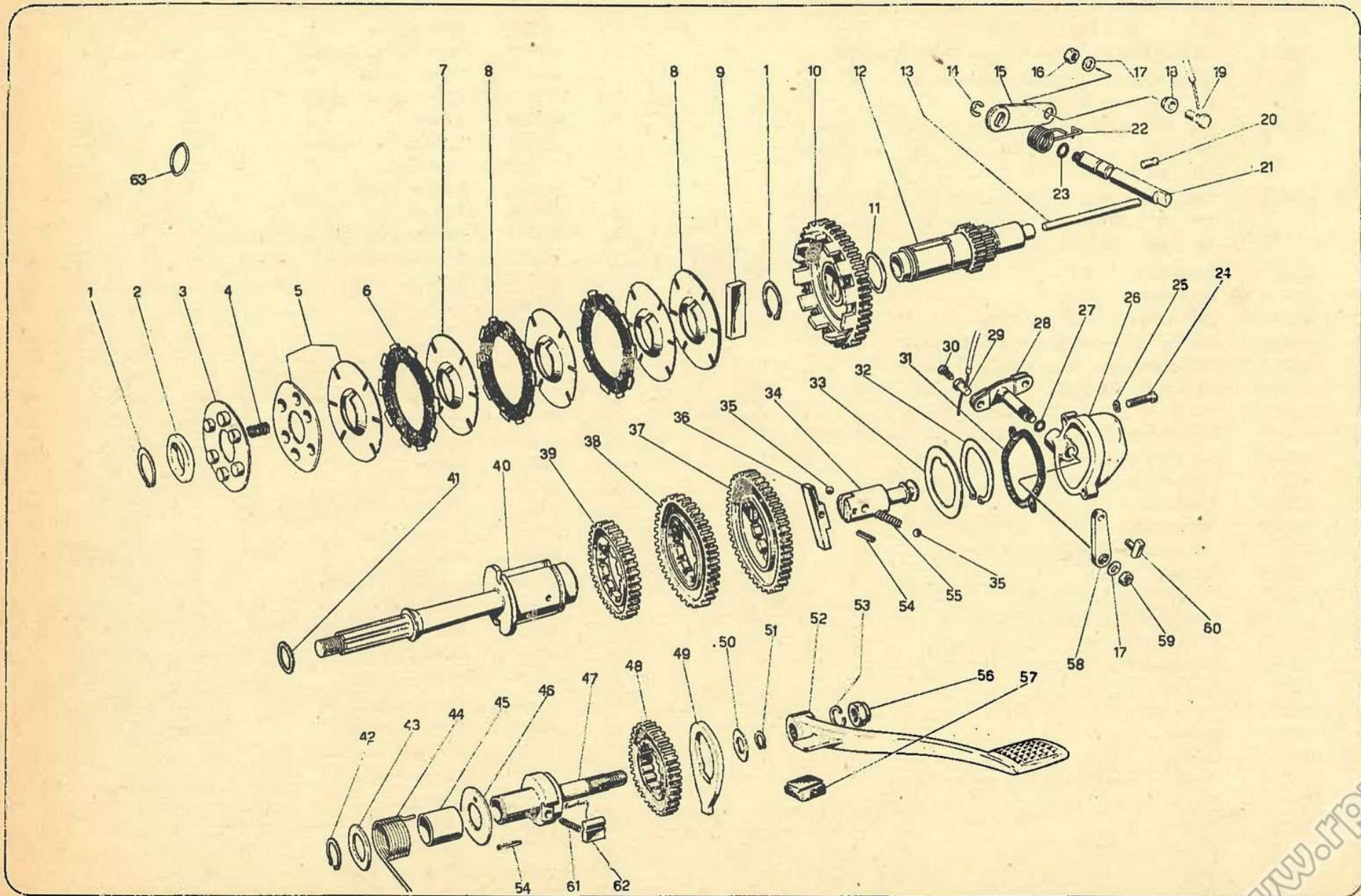


Tab. 2 — ENGINE (GB); MOTOR (US) - Crankshaft - Piston - Timing shaft (camshaft) - Oil pump and filter.

Refer. number	Part number	DESCRIPTION	Quantity	Refer. number	Part number	DESCRIPTION	Quantity
	45035	CRANKSHAFT (the whole made up of 2 - 5 - 6 - 7 - 8 - 10) (T.E. 003-5699)	1	19	45844	Spring piston ring (G. 80)	1
	45286	CRANKSHAFT - the whole (F.E. 003-5700)	1	20	45285	Inlet valve	1
	45815	CRANKSHAFT (the whole made up of 2 - 5 - 6 - 7 - 8 - 10) (G. 80)	1	20	45802	Inlet valve (G. 80)	1
	45056	OIL PUMP (the whole made up of 37 - 38 - 39 - 40 - 41 - 42 - 43 - 44 - 45 - 46 - 47 - 48 - 49 - 50)	1	21	45002	Valve guide	2
	45825	OIL PUMP (the whole made up of 37 - 38 - 39 - 40 - 41 - 42 - 43 - 44 - 45 - 46 - 47 - 48 - 49 - 50) (G. 80)	1	22	21766	Valve guide collar	2
1	01.2016	Bearing	1	23	45004	Spring	2
2	45036	Flywheel	1	24	45005	Split collar washer	2
2	45816	Flywheel (G. 80)	1	25	45006	Split collar	4
3	45054	Spring clip (Gudgeon pin circlip)	2	26	45007	Rocker arms	2
4	45053	Gudgeon pin (GB); wrist pin (US)	1	27	29410	Nut	2
4	45847	Gudgeon pin (GB); wrist pin (US) (G. 80)	1	28	45008	Rocker arm adjusting screw	2
5	45043	Piston rod (GB); Connecting rod (US)	1	29	45003	Exhaust valve	1
5	45820	Piston rod (GB); Connecting rod (US) (G. 80)	1	29	45285	Exhaust valve (G. 80)	1
6	45045	Big end bush	1	30	45063	Push rod	2
6	45821	Big end bush (G. 80)	1	31	45062	Tappet	2
7	45046	Small end bush	1	32	45027	Bearing	1
8	45039	Connecting shaft	1	33	45060	Timing shaft; Camshaft	1
8	45819	Connecting shaft (G. 80)	1	33	45822	Timing shaft; Camshaft (G. 80)	1
9	12398	Stopper plug	1	34	29711	Shoulder spring	1
10	45037	Flywheel (T.E. 003-5699)	1	35	01.2016	Bearing	1
10	45287	Flywheel (F.E. 003-5700)	1	36	9831	Screw	2
10	45817	Flywheel (G. 80)	1	37	6476	Washer	6
11	45456	Woodruff key	1	38	6669	Screw	4
12	6618	Bearing	1	39	45068	Pump cover	1
13	45041	Joint (GB); Packing (US)	1	40	45066	Drive gear	1
14	45040	Spacer	1	41	45067	Secondary gear	1
15	45134	Spring	1	42	24027	Woodruff key	1
16	45052	Piston scraper ring; Oil control ring	1	43	45065	Oil pump housing	1
16	45846	Piston scraper ring; Oil control ring (G. 80)	1	44	45070	Socket	2
17	45050	Piston	1	45	45059	Spring circlip	2
17	45848	Piston (G. 80)	1	46	45048	Spring clip	2
18	45133	Step-cut piston ring	1	47	45069	Toothed wheel	1
18	45845	Step-cut piston ring (G. 80)	1	47	45826	Toothed wheel (G. 80)	1
19	45051	Spring piston ring	1	48	45073	Stopper	1
				49	45072	Spring	1
				50	8067	5/16" ball	1
				51	29095	Joint; Gasket	2
				52	45071	Oil filter	1
				53	29094	Plug	1
				54	45009	Rocker arm pin	1

www.rpw.it

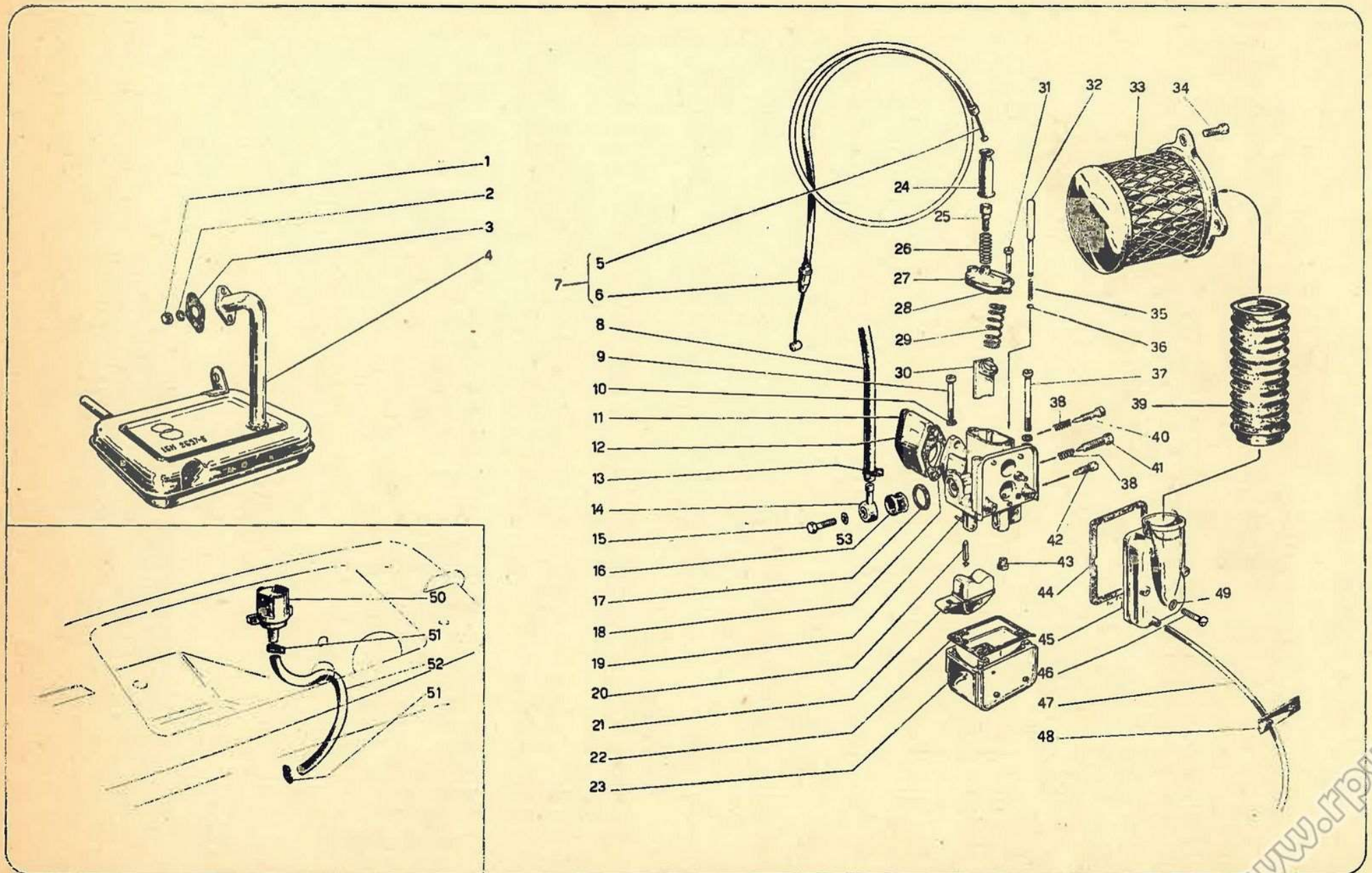
Tab. 3 — ENGINE (GB); MOTOR (US) - Clutch - Gearbox - Starting.



Tab. 3 — ENGINE (GB); MOTOR (US) - Clutch - Gearbox - Starting.

Refer. number	Part number	DESCRIPTION	Quantity	Refer. number	Part number	DESCRIPTION	Quantity
1	6527	« Seeger » ring	2	31	45110	Gasket	1
2	45090	Washer	1	32	45105	« Seeger » ring	1
2	45830	Washer (G. 80)	1	33	45104	Washer	1
3	45083	Spring carrying plate	1	34	45107	Spindle	1
4	45084	Spring	6	35	8067	5/16" Ball	2
5	45082	Pressure plate (unit)	1	36	45106	Woodruff key	1
6	45080	Friction plate	3	37	45103	1st gear wheel	1
7	45081	Driven plate	4	38	45102	2nd gear wheel	1
8	45079	Friction plate	1	38	45833	2nd gear wheel (G. 80)	1
9	45085	Woodruff key	1	39	45101	3rd gear wheel	1
9	45831	Woodruff key (G. 80)	1	39	45834	3rd gear wheel (G. 80)	1
10	45078	Clutch outer drum	1	40	45100	Secondary shaft	1
10	45829	Clutch outer drum (G. 80)	1	41	24754	Washer (possible)	1
11	24752	Washer (possible)	—	42	45128	« Seeger » ring	1
12	45076	Main shaft	1	43	36657	Washer	1
12	45828	Main shaft (G. 80)	1	44	45127	Spring	1
13	45086	Clutch push rod	1	45	45131	Distance piece	1
14	45064	Retaining rings	1	46	45126	Washer	1
15	45091	Clutch operating arm	1	47	45265	Starter shaft	1
16	21132	Nut	1	48	45125	Gear wheel	1
17	22169	Washer	3	49	45123	Plate	1
18	45096	Socket	1	50	26093	Washer	1
19	45097	Screw	1	51	22308	« Seeger » ring	1
20	45089	Clutch arm spindle	1	52	45129	Pedal	1
21	45087	Spindle	1	53	6480	Circlip	1
22	45094	Spring	1	54	45921	Pin	2
23	45088	Joint (GB); Packing (US)	1	55	45119	Spring	1
24	9894	Screw	2	56	21421	Nut	1
25	45148	Washer	2	57	45130	Rubber buffer	1
26	45109	Gear box (GB); Transmission casing (US)	1	58	45111	Arm	1
27	45098	Joint (GB); Packing (US)	1	59	10764	Nut	1
28	45113	Gear change shaft unit	1	60	45112	Selector fork	1
29	45117	Nipple	2	61	45132	Spring	1
30	45118	Screw	2	62	45124	Ratchet	1
				63	22642	Oil seal gasket	1

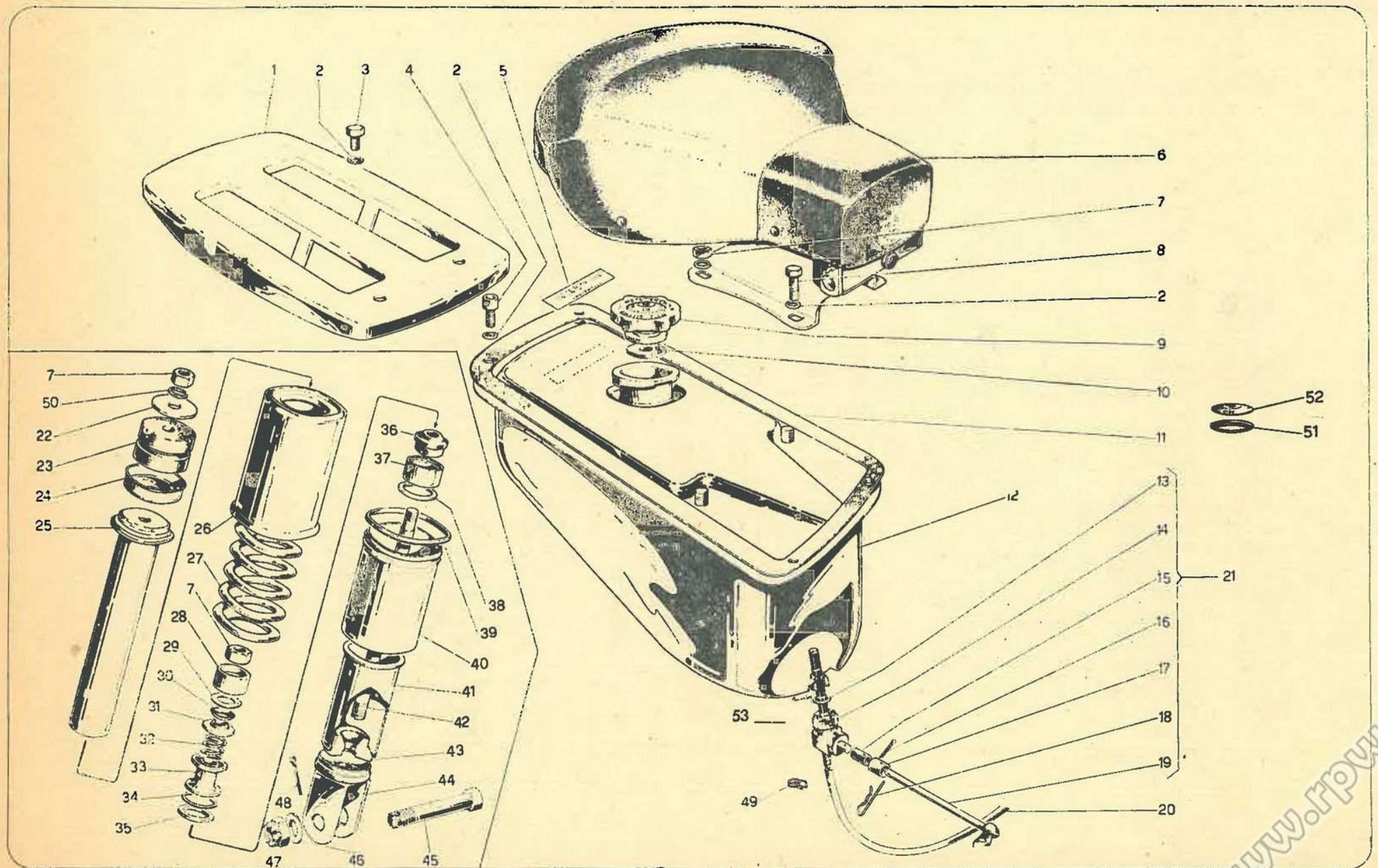
Tab. 4 — ENGINE (GB); MOTOR (US) - Silencer (GB); Muffler (US) - Carburettor (GB); Carburetor (US) - Breather.



Tab. 4 — ENGINE (GB); MOTOR (US) - Silencer (GB); Muffler (US) - Carburettor (GB); Carburetor (US) - Breather.

Refer. number	Part number	DESCRIPTION	Quantity	Refer. number	Part number	DESCRIPTION	Quantity
	44800	CARBURETTOR DELLORTO SH 14/12/2 (the whole made up of nos. 5 to 44, excluding nos. 33 - 34 - 39)	1	24	44811	Connection protective cap	1
	44830	CARBURETTOR DELLORTO SH 14/12/2 (the whole made up of nos. 5 to 44, excluding nos. 33 - 34 - 39) (G. 80)	1	25	44812	Screw	1
1	45177	Nut	2	26	44813	Spring	1
2	6476	Washer	2	27	44814	Cover	1
3	45140	Gasket	1	28	44815	Gasket	1
4	45139	Silencer	1	29	44816	Spring	1
4	45804	Silencer (G. 80)	1	30	44817	Valve	1
5	45397	Cable	1	31	44818	Screw	2
6	45498	Socket for cable	1	32	44819	Tickler	1
7	45396	Throttle cable	1	33	45347	Filter	1
8	45335	Small pipe	1	34	45055	Screw	3
9	44810	Screw	1	35	44820	Spring	1
10	9073	Washer	3	36	44821	Small ring	1
11	45341	Gasket	1	37	44822	Screw	2
12	45342	Connection	1	38	44823	Spring	2
13	45637	Small clip	2	39	45349	Bellows	1
14	44809	Small pipe	1	40	44824	Screw	1
15	28300	Screw	1	41	44825	Screw	1
16	44806	Filter	1	42	44826	Pilot jet; slow-running jet	1
17	44905	Joint (GB); Packing (US)	1	43	44827	Main jet (G. 50 - G. 50 T - G. 80)	1
18	45343	Gasket	1	44	45424	Gasket	1
19	44828	Carburettor body (GB); Body of carburettor (US)	1	45	45339	Connexion for bellows	1
20	44801	Float needle	1	46	45425	Screw	2
21	44802	Float	1	47	45296	Small pipe	1
22	44803	Gasket	1	48	45297	Plate	2
23	44804	Float chamber	1	49	6466	Washer	3
				50	45298	Breather unit	1
				51	45638	Small clip	2
				52	45319	Pipe	1
				53	28301	Joint (GB); Packing (US) for pipe	1

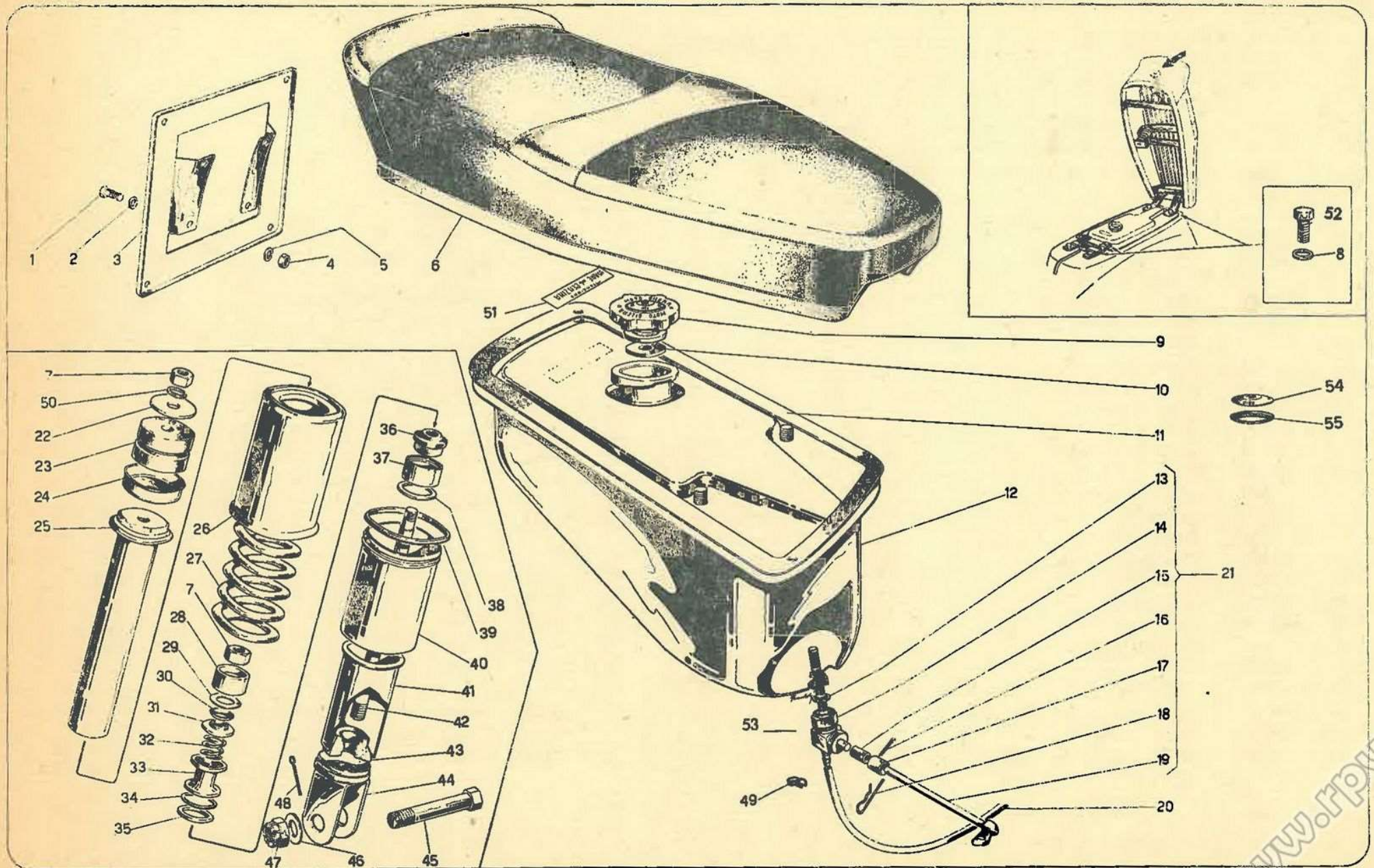
Tab. 5 — BODY - Fuel tank - Saddle - Rear suspension - Carrier.



Tab. 5 — BODY - Fuel tank - Saddle - Rear suspension - Carrier.

Refer. number	Part number	DESCRIPTION	Quantity	Refer. number	Part number	DESCRIPTION	Quantity
	45270	SHOCK ABSORBER, complete, from no. 22 to no. 48	1	27	44930	Spring	1
	45771	SHOCK ABSORBER, complete, from no. 22 no. 48 (G. 50 T and G. 80)	1	27	44926	Spring (G. 50 and G. 80)	1
1	45365	Carrier (only G. 50)	1	28	44911	Piston	1
2	6468	Washer	8	29	44937	Valve disc	1
3	6362	Screw	2	30	44913	Washer	1
4	24943	Screw	2	31	44914	Spring seat	1
5	45449	Transfert on tank	1	32	44915	Spring	1
6	45350	Saddle (G. 50 only)	1	33	44916	Spring seat	1
7	7358	Nut for saddle (G. 50 only)	2	34	44917	Joint (GB); Packing (US)	1
7	7358	Nut for shock absorber	2	35	44918	Washer	1
8	6670	Screw	2	36	44920	Joint (GB); Packing (US)	1
9	45315	Filler cap	1	37	44919	Closure ring	1
10	45318	Joint (GB); Packing (US)	1	38	44921	Ring	1
11	45327	Tank gasket	1	39	44934	Spring washer	1
12	45320	Tank	1	39	44924	Spring washer (G. 50 T and G. 80)	1
13	45328	Joint (GB); Packing (US)	1	40	44933	Lower casing	1
14	45330	Nut	1	40	44923	Lower casing (G. 50 T and G. 80)	1
15	45332	Joint (GB); Packing (US)	1	41	44935	Lower tube	1
16	8059	Cotter pin	1	41	44922	Casing for spring (G. 50 T and G. 80)	1
17	45336	Pipe union	1	42	44938	Central shaft	1
18	45331	Spring clip	1	43	44906	Rubber buffer	1
19	45334	Pipe union (unit)	1	44	44936	Lower bracket	1
20	45335	Small pipe	1	45	45281	Bolt	1
21	45329	Fuel tap	1	46	21893	Washer	1
22	7141	Washer	1	47	6639	Nut	1
23	44907	Rubber ring	2	48	01.11260	Cotter pin	1
24	44908	Container	1	49	45637	Small clip	2
25	44932	Tank shock absorber body	1	50	6477	Spring washer	1
26	44931	Upper casing	1	51	45316	Socket of disc for fuel cap	1
26	44925	Upper casing (G. 50 and G. 80)	1	52	29172	Disc for fuel cap	1
				53	45723	Fuel tap	1

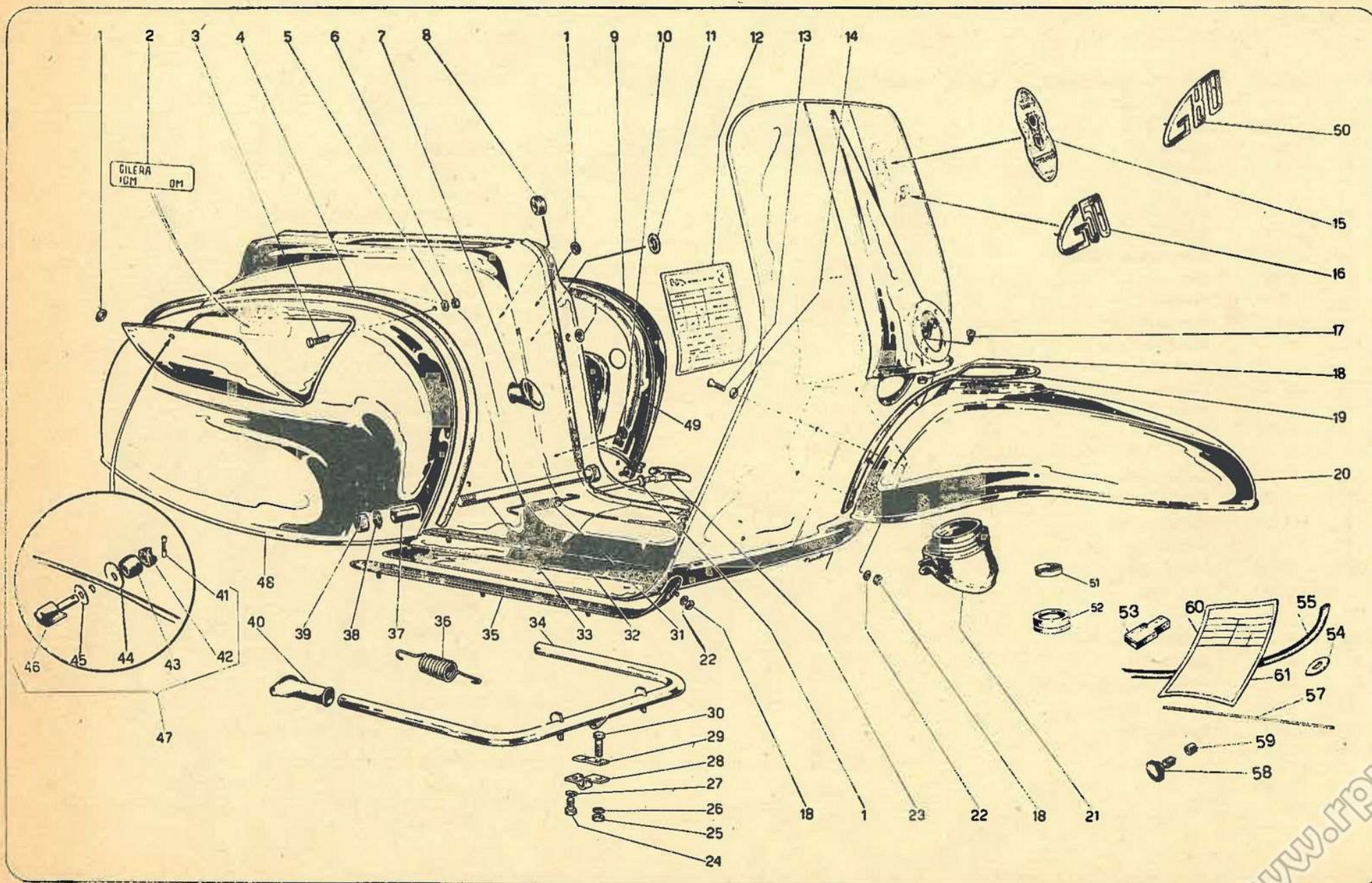
Tab. 5a — BODY - Fuel tank - Saddle - Rear suspension - Number plate holder (G 50 T and G 80).



Tab. 5a — BODY - Fuel tank - Saddle - Rear suspension - Number plate holder (G 50 T and G 80).

Refer. number	Part number	DESCRIPTION	Quantity	Refer. number	Part number	DESCRIPTION	Quantity
	45771	SHOCK ABSORBER, complete, from no. 22 to no. 48	1	28	44911	Piston	1
1	6505	Bolt	4	29	44937	Valve disc	1
2	6280	Washer	4	30	44913	Washer	1
3	45772	Number plate holder (GB); License plate carrier (US)	1	31	44914	Spring seat	1
4	6116	Nut	4	32	44915	Spring	1
5	6476	Spring washer	4	33	44916	Spring seat	1
6	45351	Two-colour saddle	1	34	44917	Joint (GB); Packing (US)	1
7	7358	Nut	2	35	44918	Washer	1
8	6468	Washer	6	36	44920	Joint (GB); Packing (US)	1
9	45315	Gas tank cap; Fuel tank cap	1	37	44919	Closure ring	1
10	45318	Joint for cap	1	38	44921	Ring	1
11	45327	Gasket for gas tank	1	39	44924	Spring washer	1
12	45320	Tank	1	40	44923	Lower casing	1
13	45328	Joint (GB); Packing (US)	1	41	44922	Lower tube	1
14	45330	Nut	1	42	44938	Central shaft	1
15	45332	Joint (GB); Packing (US)	1	43	44906	Rubber buffer	1
16	8059	Cotter pin	1	44	44936	Lower support	1
17	45336	Rubber bush	1	45	45281	Bolt	1
18	45331	Spring clip	1	46	21893	Washer	1
19	45334	Petrol tap, rod	1	47	6639	Nut	1
20	45335	Small pipe	1	48	01.11260	Cotter pin	1
21	45329	Fuel tap	1	49	45637	Small clip	2
22	7141	Washer	1	50	6477	Spring washer	1
23	44907	Rubber bearing	1	51	45449	Transfer on tank	1
24	44908	Container	1	52	6670	Bolt fixing saddle bracket	6
25	44932	Shock absorber tank body	1	53	45753	Fuel tap	1
26	44925	Upper casing	1	54	29172	Small disc for fuel cap	1
27	44926	Spring	1	55	45316	Socket of small disc for fuel cap	1

Tab. 6 — BODY - Frame - Luggage carrier - Bonnet (GB); Engine hood (US) - Stand.

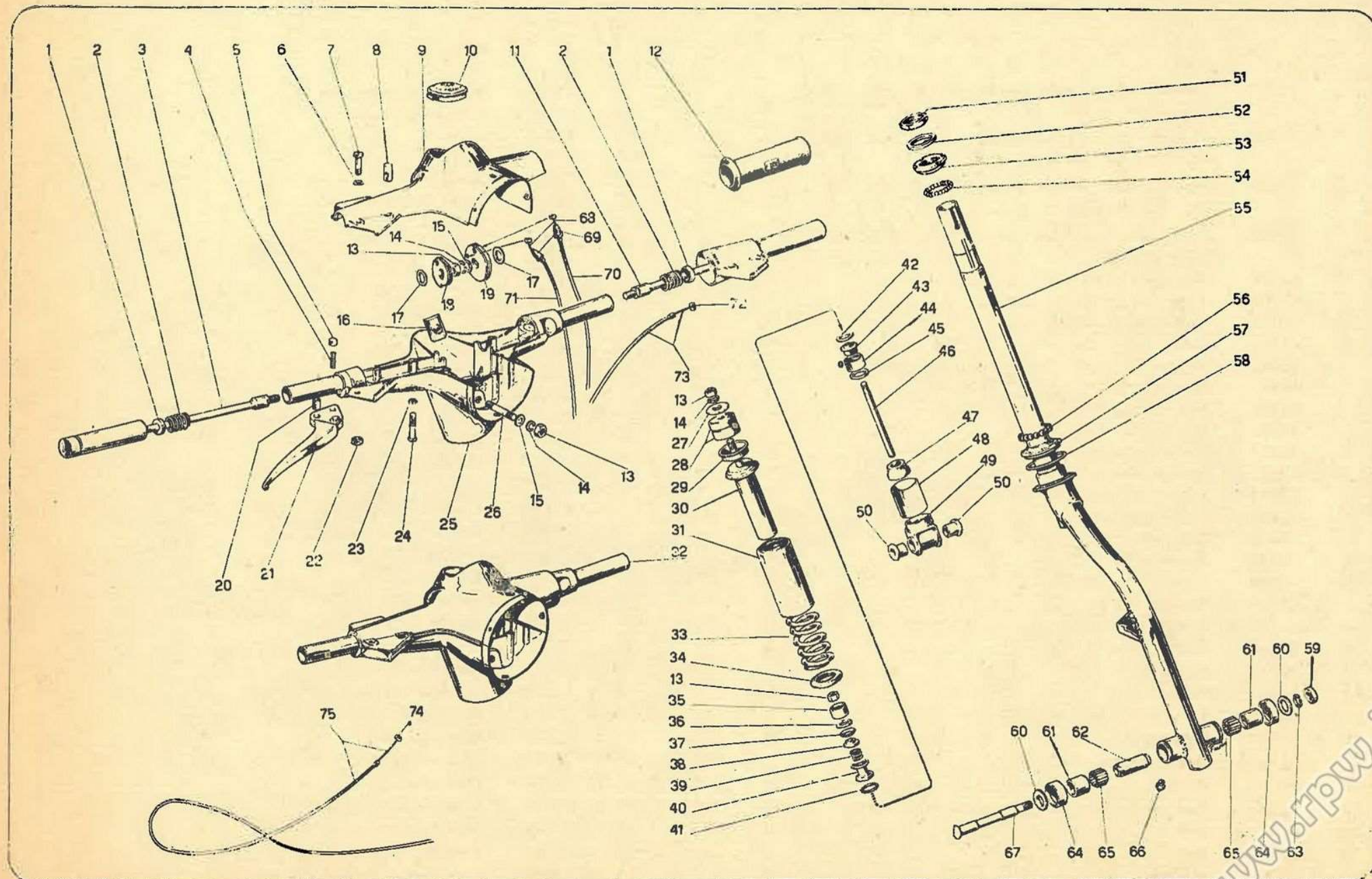


Tab. 6 — BODY - Frame - Luggage carrier - Bonnet (GB); Engine hood (US) - Stand.

Refer. number	Part number	DESCRIPTION	Quantity	Refer. number	Part number	DESCRIPTION	Quantity
	45500	FRAME, the whole made up of nos. 10 - 19 - 22	1	28	45361	Right side support	1
	45766	FRAME, the whole made up of nos. 10 - 19 - 22 (G. 50 T)	1	28	45362	Left side support	1
	45860	FRAME, the whole made up of nos. 10 - 19 - 22 (G. 80)	1	29	45363	Plate	1
1	22888	Cable grommet (Tail lamp; Bonnet (GB); Hood (US); Tap)	4	30	9894	Bolt	2
2	45439	Approval plate (G. 50)	1	31	45534	Spring	1
2	45768	Approval plate (G. 50 T)	1	32	45540	Inner foot-rest strip	2
2	45862	Approval plate (G. 80)	1	33	45537	Pin	1
3	45574	Bolt	5	34	45355	Stand	1
4	45582	Strip	1	35	45544	Outer foot-rest strip	2
5	6466	Washer	5	36	45364	Stand spring	1
6	24907	Nut	10	37	45533	Distance piece	1
7	45539	Joint (GB); Packing (US)	1	38	6480	Washer	1
8	45677	Cable grommet	1	39	6662	Nut	1
9	45550	Bonnet	1	40	45360	Stand end piece	2
10	22901	Joint (GB); Packing (US)	1	41	45580	Cotter (T.E.)	1
11	45266	Cable grommet	1	42	45579	Socket (T.E.)	1
12	45448	Transfer	1	43	45578	Rubber socket (T.E.)	1
12	45863	Transfer (G. 80)	1	44	45577	Rubber washer (T.E.)	1
13	45568	Screw	6	45	45576	Brass washer (T.E.)	1
14	45569	Washer	6	46	45575	Control knob unit (T.E.)	1
15	45547	Badge	1	47	45581	Control knob unit (T.E.)	1
16	45548	Name plate	1	48	45570	Luggage carrier unit	1
17	6053	Screw	1	49	45562	Rubber section	1
18	7166	Nut	23	50	45861	Name plate (G. 80)	1
19	45545	Joint (GB); Packing (US)	1	51	45292	Upper steering race	1
20	45501	Mudguard	1	52	45293	Lower steering race	1
21	45563	Dust-excluding joint	1	53	45811	Stand buffer	1
22	6466	Washer	23	54	11339	Washer for nut no. 24907	1
23	45533	Rod with handle	23	55	45584	Metallized plastic protective strip	1
24	6505	Bolt	2	56	45572	Baggage flap	1
25	29524	Nut	2	57	22912	Flap hinge rod	1
26	6476	Washer	2	58	45586	Flap closing knob	1
27	6280	Washer	2	59	45911	Knob rubber socket	1
				60	45748	Transfer in English (G. 50)	1
				60	45749	Transfer in French (G. 50)	1
				61	45865	Transfer in English (G. 80)	1
				61	45864	Transfer in French (G. 80)	1

www.rpw.it

Tab. 7 — STEERING and WHEELS - Handlebar - Front suspension.

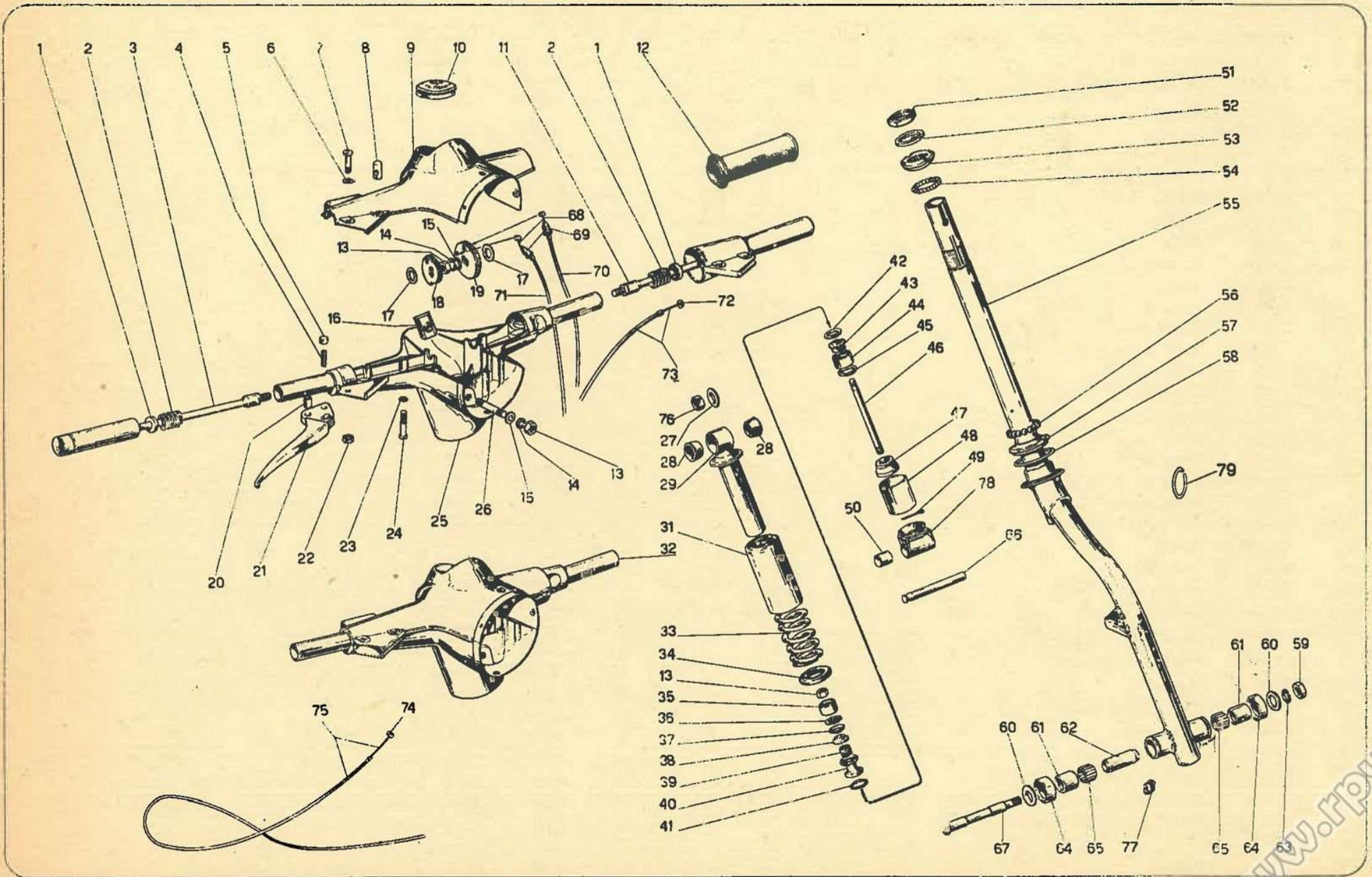


Tab. 7 — STEERING and WHEELS - Handlebar - Front suspension.

Refer. number	Part number	DESCRIPTION	Quantity	Refer. number	Part number	DESCRIPTION	Quantity
	45467	SHOCK ABSORBER, complete, from no. 27 to no. 50	1	37	44913	Washer	1
	45600	HANDLEBAR, complete, from no. 1 to no. 26	1	38	44914	Spring seat	1
1	45615	Ring	2	39	44915	Spring	1
2	45616	Spring	2	40	44916	Spring seat	1
3	45607	Grip tube	1	41	44917	Joint (GB); Packing (US)	1
4	29391	Spring	2	42	44918	Washer	1
5	45604	Socket	2	43	44920	Joint (GB); Packing (US)	1
6	45148	Washer	2	44	44919	Closure ring	1
7	45627	Bolt	2	45	44921	Ring	1
8	45628	Cable retainer	2	46	44910	Central shaft	1
9	45629	Upper casing of handlebar	1	47	44906	Rubber buffer	1
10	45632	Plug (G. 50 only)	1	48	44903	Lower casing	1
11	45612	Shaft operating arm body	1	49	44904	Lower support	1
12	45624	Rubber grip	2	50	44905	Bush	2
13	7358	Nut	5	51	11651	Nut	1
14	6477	Washer	4	52	45149	Washer	1
15	6468	Washer	3	53	45160	Upper cone	1
16	45606	Plate	1	54	21317	Upper ball race 3,969	27
17	45617	Washer	2	55	45466	Stanchion	1
18	45618	Throttle wire pulley	1	56	8066	Lower ball race 6,35	23
19	45621	Gear change wire pulley	1	57	45159	Lower cone	1
20	45626	Sleeve	2	53	45176	Ring	1
21	45625	Lever	2	59	6156	Nut	1
22	22819	Nut	2	60	45308	Washer	2
23	45631	Washer	2	61	45305	Roller cage	2
24	45633	Screw	2	61	45305	Roller bearing	2
25	45601	Lower casing of handlebar	1	62	45307	Spacer	1
26	45605	Stud screw	1	63	6479	Washer	1
27	7141	Washer	1	64	45309	Dust excluder	2
28	44907	Rubber bearing	2	65	45306	Roller \varnothing 2.5 x 13.8 mm.	36
29	44908	Container	1	66	7348	Grease cup	1
30	44909	Shock absorber upper body	1	67	45169	Spindle	1
31	44901	Spring upper casing	1	68	45391	Cable with nipple	2
32	45599	Handlebar body	1	69	45498	Seat for wire casing	2
33	44900	Front suspension spring	1	70	45390	Gear change wire-overlaid with brass	1
34	44902	Cup	1	71	45497	Gear change wire-whitened	1
35	44911	Piston	1	72	45401	Cable with nipple	1
36	44912	Valve disc	1	73	45400	Clutch wire	1
				73	45406	Cable with nipple	1
				75	45405	Brake wire	1

www.trpw.it

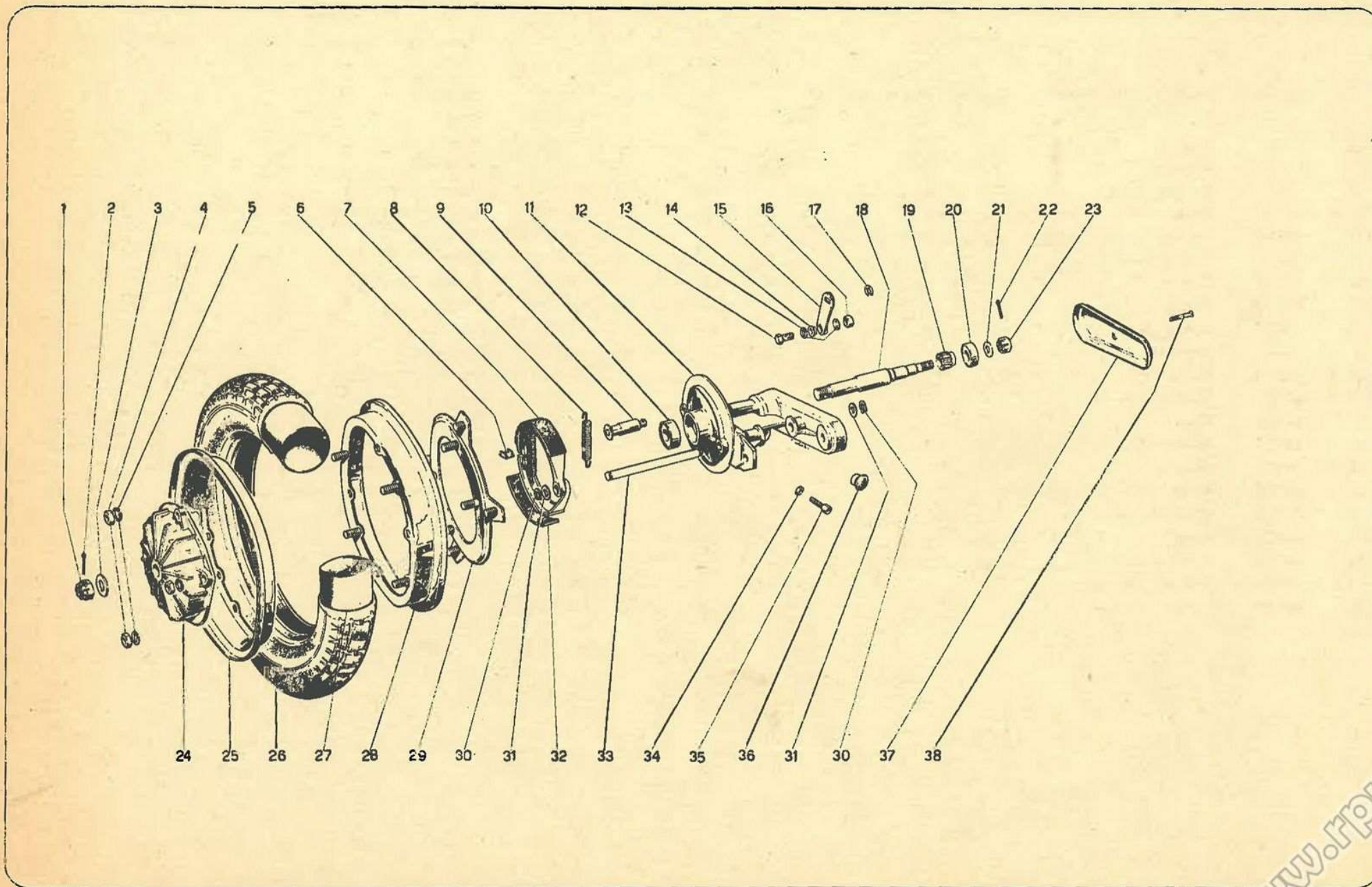
Tab. 7a — STEERING and WHEELS - Front suspension - 2nd series.
G 50 (F.E. 003-5599) G 50 T (F.E. 004-299) G 80 (F.E. 005-1).



Tab. 7a — STEERING and WHEELS - Front suspension - 2nd series.
G 50 (F.E. 003-5599) G 50 T (F.E. 004-299) G 80 (F.E. 005-1).

Refer. number	Part number	DESCRIPTION	Quantity	Refer. number	Part number	DESCRIPTION	Quantity
	45738	SHOCK ABSORBER, complete, from no. 27 to no. 67 and 76 - 77 - 78	1	49	8057	Cotter pin	1
13	7358	Nut	1	50	44944	Bush	2
27	22114	Washer	1	51	11671	Nut	1
28	11821	Rubber plug	2	52	45149	Washer	1
29	44945	Tank shock absorber body complete	1	53	45160	Upper cone	1
31	44941	Spring upper casing	1	54	21317	Upper race ball	27
33	44940	Compression spring	1	55	45733	Stanchion	1
34	44902	Cup	1	56	8066	Lower race ball	23
35	44911	Piston	1	57	45159	Lower cone	1
36	44937	Valve disc	1	58	45176	Ring	1
37	44913	Washer	1	59	6156	Nut	1
38	44914	Ring	1	60	45308	Washer	2
39	44915	Spring	1	61	45305	Roller cage	2
40	44916	Ring	1	62	45307	Spacer	2
41	44917	Joint (GB); Packing (US)	1	63	6479	Washer	1
42	44918	Washer	1	64	45309	Dust excluder	2
43	44920	Joint (GB); Packing (US)	1	65	45306	Roller \varnothing 2.5 x 13.8	36
44	44919	Closure ring	1	66	45739	Shock absorber fixing pin	1
45	44921	Ring	1	67	45169	Spindle	1
46	44946	Central shaft	1	76	54412	Nut	1
47	44906	Rubber buffer	1	77	7348	Greaset nipple	1
48	44942	Lower casing	1	78	44943	Lower support	1
				79	45918	Circlip	1

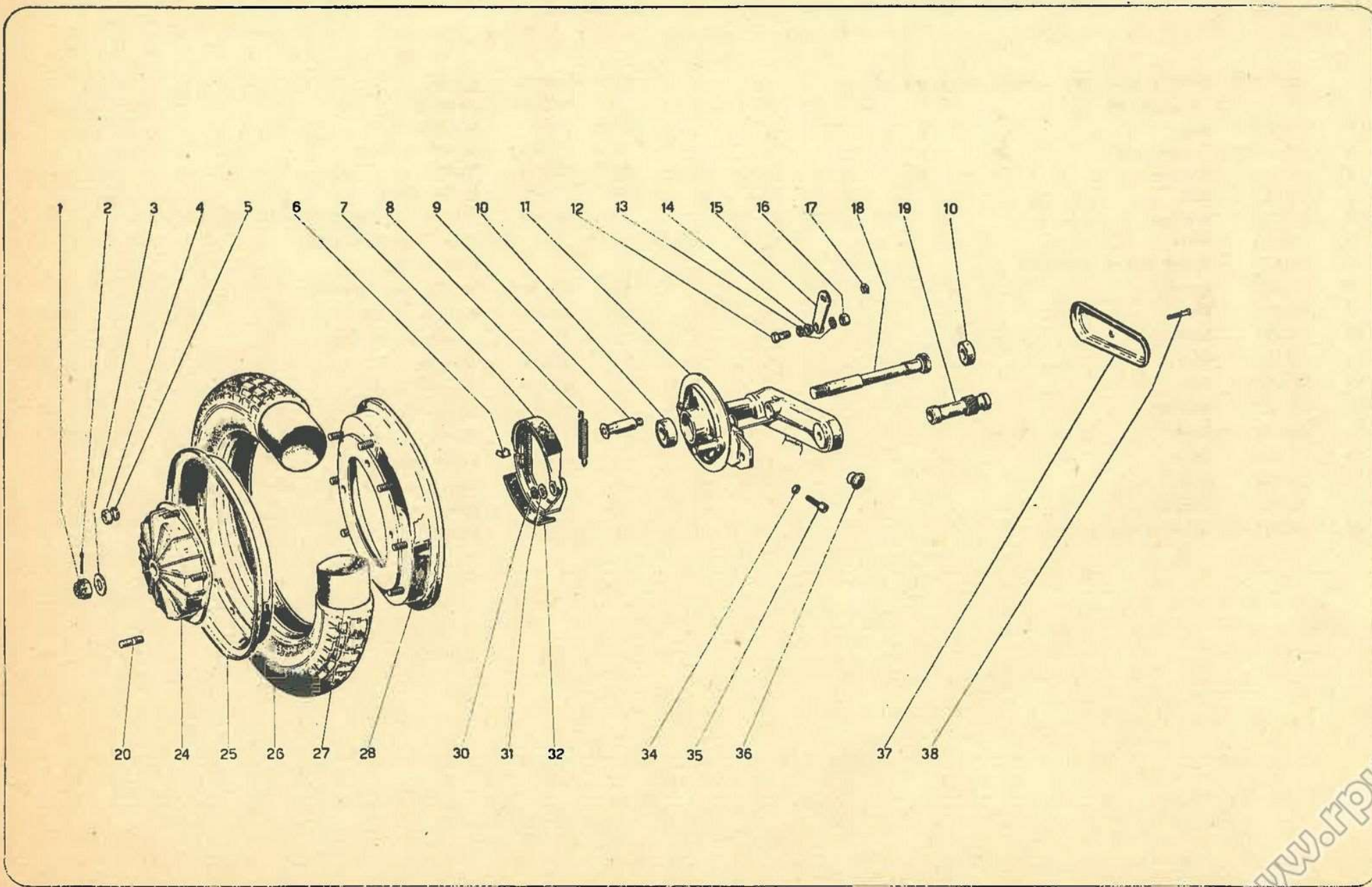
Tab. 8 — STEERING and WHEELS - Front wheel and front brake.



Tab. 8 — STEERING and WHEELS - Front wheel and front brake.

Refer. number	Part number	DESCRIPTION	Quantity	Refer. number	Part number	DESCRIPTION	Quantity
	45718	WHEEL unit, the whole made up of nos. 4 - 5 - 25 - 28	1	19	45217	Pinion	1
1	45205	Nut	1	20	45207	Bearing	1
2	01.11260	Cotter pin	1	21	6470	Washer	1
3	45218	Washer	1	22	21614	Cotter pin	1
4	7358	Nut	12	23	45204	Nut	1
5	6477	Washer	12	24	45190	Brake drum	1
6	45200	Plate	2	25	45842	Wheel rim, element (with hole for valve)	1
7	45479	Brake shoes assembly	1	26		Tyre (GB); Tire (US)	
8	45201	Spring	1	27		Inner tube	
9	45202	Cam	1	28	45484	Wheel rim element	1
10	45206	Bearing	1	29	45487	Anchor plate	1
11	45194	Hub	1	30	28185	« Seeger » circlip	2
12	45097	Bolt	1	31	27839	Washer	2
13	22169	Washer	2	32	45199	Brake lining	1
14	45096	Bush	1	33	45196	Brake shoe pin	1
15	45214	Lever	1	34	7166	Nut	1
16	21132	Nut	1	35	45034	Cable adjuster	1
17	45064	Circlip	1	36	45208	Cap (G. 50 and G. 50 T only)	1
18	45203	Front wheel spindle	1	37	45566	Hub cover	1
				38	45567	Screw	1

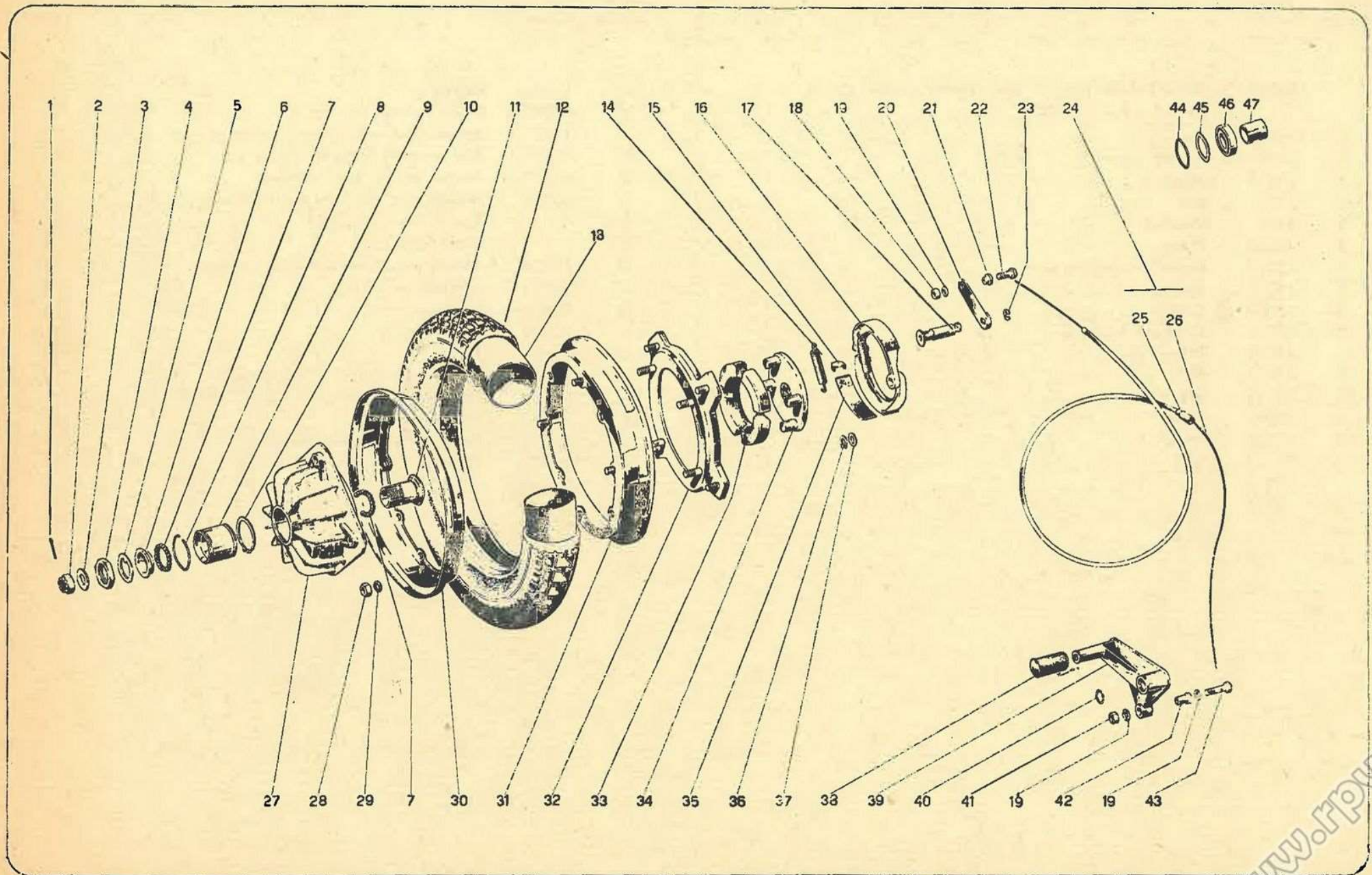
Tab. 8a — STEERING and WHEELS - Front wheel and front brake - 2nd series.
G 50 (F.E. 003-5599) G 50 T (F.E. 004-299) G 80 (F.E. 005-1).



**Tab. 8a — STEERING and WHEELS - Front wheel and front brake - 2nd series.
G 50 (F.E. 003-5599) G 50 T (F.E. 004-299) G 80 (F.E. 005-1).**

Refer. number	Part number	DESCRIPTION	Quantity	Refer. number	Part number	DESCRIPTION	Quantity
	45719	WHEEL RIM (unit - the whole made up of nos. 4 - 5 - 25 - 28)	1	17	45064	Circlip	1
1	45205	Nut	1	18	45742	Front wheel spindle	1
2	01.11260	Cotter pin	1	19	45731	Spacer between bearing and pinion	1
3	45218	Washer	1	20	45705	Screw stud for no. 24	4
4	7358	Nut	12	24	45707	Brake drum with screws	1
5	6477	Washer	12	25	45702	Wheel rim, element (with hole for valve)	1
6	45200	Plate	2	26		Tyre (GB); Tire (US)	1
7	45479	Brake shoes assembly	1	27		Inner tube	1
8	45201	Spring	1	28	45704	Wheel rim element with screws	1
9	45202	Cam	1	30	28185	« Seeger » circlip	1
10	45206	Covered bearing	2	31	27839	Washer	1
11	45730	Wheel hub	1	32	45199	Brake lining	2
12	45097	Bolt	1	34	7166	Nut	1
13	22169	Washer	2	35	45034	Cable adjuster	1
14	45096	Bush	1	36	45208	Speedometer seating cap G. 50 and G. 50 T only)	1
15	45214	Lever	1	37	45566	Front wheel hub cover	1
16	21132	Nut	1	38	45567	Screw	1

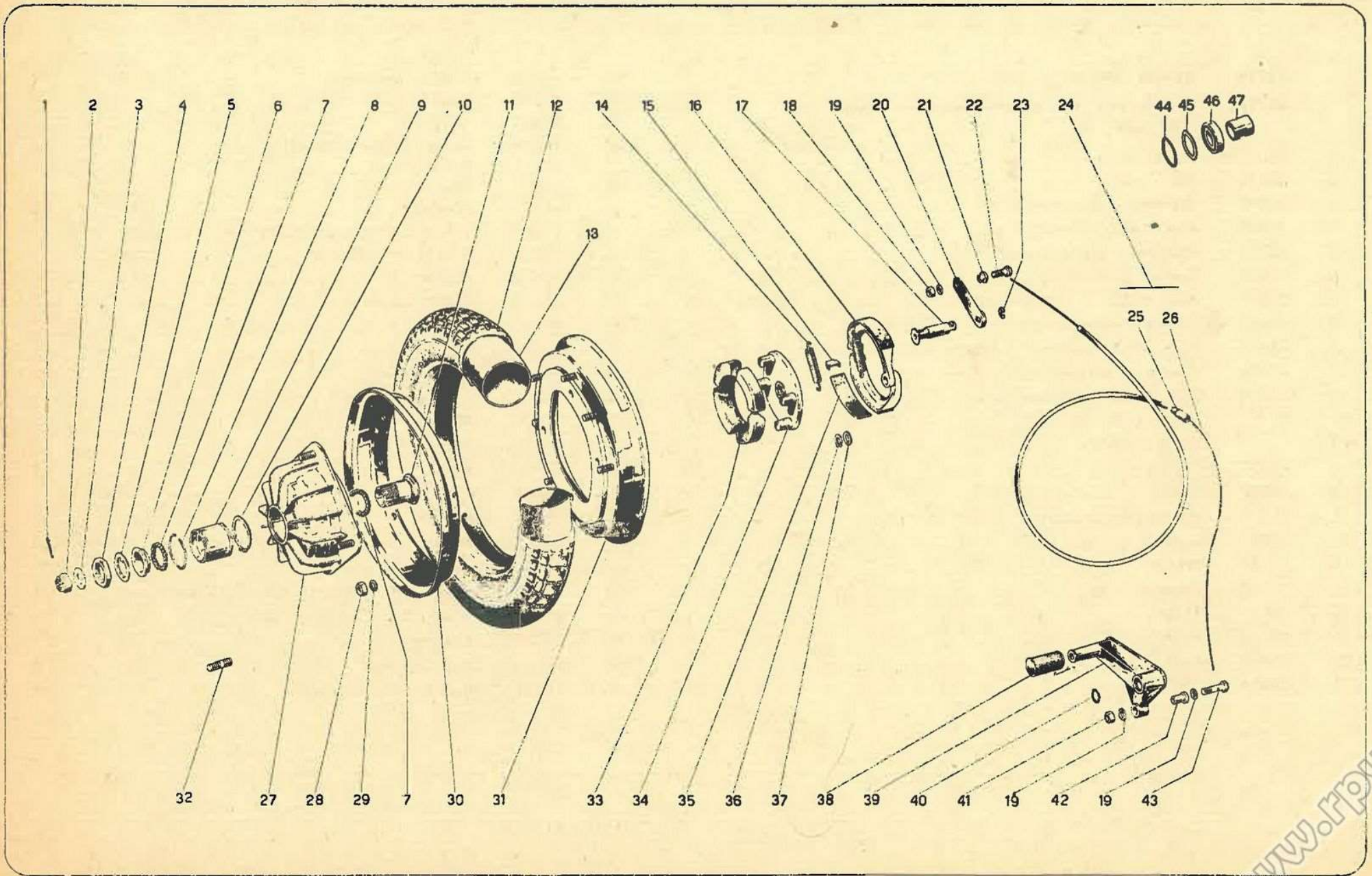
Tab. 9 — STEERING and WHEELS - Rear wheel and Rear brake.



Tab. 9 — STEERING and WHEELS - Rear wheel and Rear brake.

Refer. number	Part number	DESCRIPTION	Quantity	Refer. number	Part number	DESCRIPTION	Quantity
	45919	DRAKE DRUM - unit	1	24	45386	Cable complete	1
	45718	WHEEL unit, the whole composed of nos. 28 - 29 - 30 - 31	1	25	45494	Seat for wire casing	1
1	01.11260	Cotter pin	1	26	45387	Wire	1
2	45205	Nut	1	27	45426	Drum - discontinued	1
3	45218	Washer - discontinued	1	27	45913	Drum	1
4	45432	Nut - discontinued	1	28	7358	Nut	12
5	45431	Washer - discontinued	1	29	6477	Washer	12
6	45430	Cone - discontinued	1	30	45482	Wheel rim element (with hole for valve)	1
7	21317	Ball 5/32" - discontinued	54	31	45484	Wheel rim element	1
8	45433	Circlip - discontinued	1	32	45487	Anchor plate	1
9	45427	Ball race seating - discontinued	1	33	45414	Shock absorber rubber	1
10	45428	Circlip - discontinued	1	34	45434	Anchor plate - discontinued	1
11	45429	Hub tube - discontinued	1	34	45909	Anchor plate	1
12		Tyre (GB); Tire (US)	1	35	45199	Brake lining	2
13		Inner tube	1	36	28185	« Seeger » circlip	1
14	45201	Spring	1	37	27839	Washer	1
15	45200	Plate	1	38	45382	Rubber	1
16	45479	Brake shoes assembly	1	39	45380	Pedal	1
17	45202	Cam	1	40	45385	Ring	1
18	21132	Nut	1	41	21132	Nut	1
19	22169	Washer	4	42	45384	Bush	1
20	45212	Lever	1	43	45383	Bolt	1
21	45096	Bush	1	44	26407	Joint (GB); Packing (US) - discontinued	1
22	45097	Bolt	1	44	45419	Joint (GB); Packing (US)	1
23	45064	Circlip	1	45	45910	Bearing disc	1
				46	45411	Ball bearing	1
				47	45908	Ball bearing spacer	1

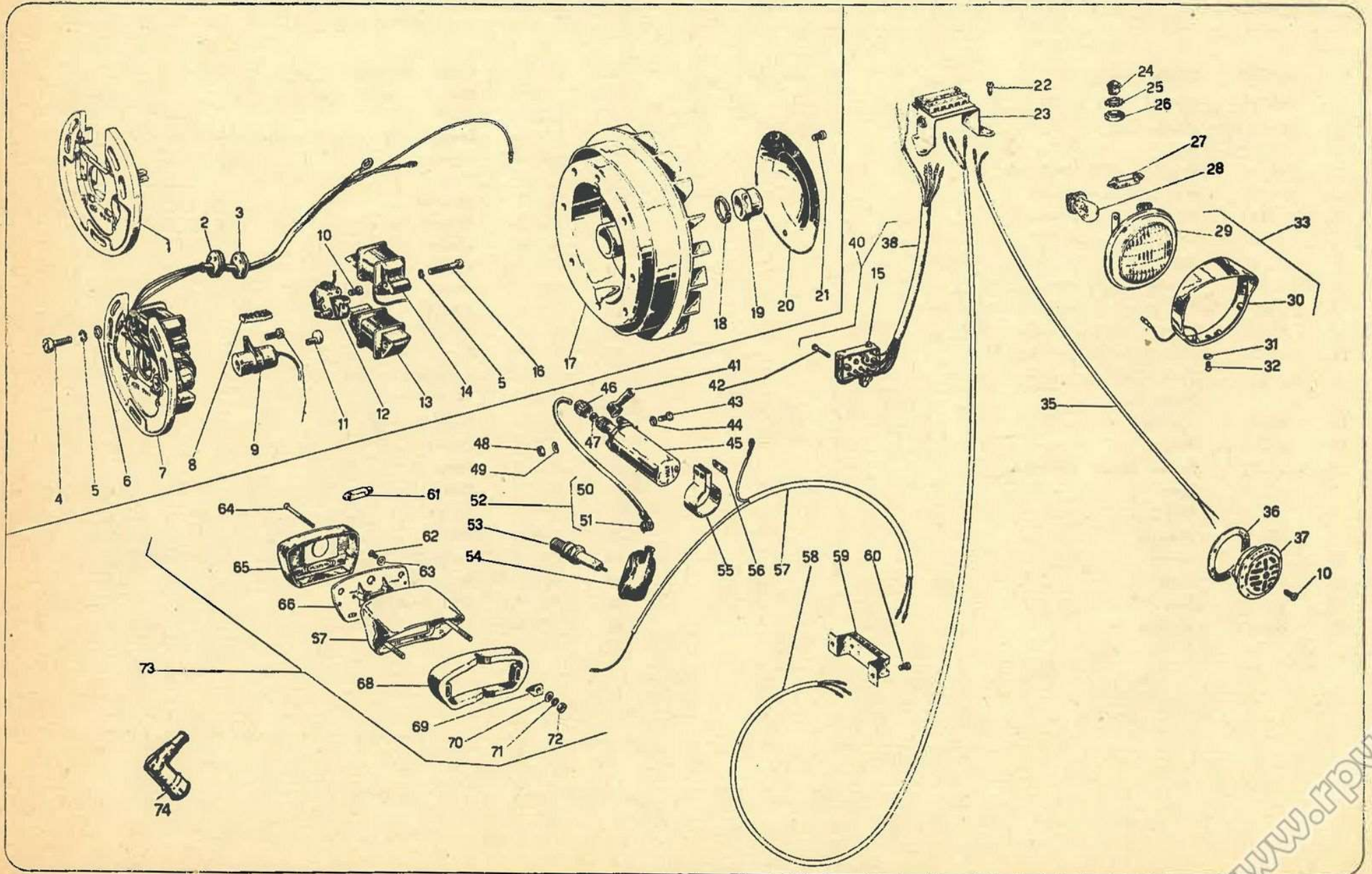
Tab. 9a — STEERING and WHEELS - Rear wheel and rear brake - 2nd series.
G 50 (F.E. 003-5599) G 50 T (F.E. 004-299) G 80 (F.E. 005-1).



**Tab. 9a — STEERING and WHEELS - Rear wheel and rear brake - 2nd series.
G 50 (F.E. 003-5599) G 50 T (F.E. 004-299) G 80 (F.E. 005-1).**

Refer. number	Part number	DESCRIPTION	Quantity	Refer. number	Part number	DESCRIPTION	Quantity
	45920	DRUM (unit)	1	24	45386	Cable complete	1
	45719	WHEEL RIM (unit)	1	25	45494	Seat for wire casing	1
1	01.11260	Cotter pin	1	26	45387	Wire	1
2	45205	Nut	1	27	45713	Drum with screws (discontinued)	1
3	45218	Washer (discontinued)	1	27	45913	Drum	1
4	45432	Nut (discontinued)	1	28	7358	Nut	12
5	45431	Washer (discontinued)	1	29	6477	Washer	12
6	45430	Cone (discontinued)	1	30	45702	Wheel rim element (with hole for valve)	1
7	21317	Ball race 5/32" (discontinued)	54	31	45704	Wheel rim element	1
8	45433	Circlip (discontinued)	1	32	45705	Screw stud	1
9	45427	Bal race seating (discontinued)	1	33	45414	Shock absorber rubber	1
10	45428	Circlip (discontinued)	1	34	45434	Anchor plate (discontinued)	1
11	45429	Hub tube (discontinued)	1	34	45909	Anchor plate	1
12		Tyre (GB); Tire (US)	1	35	45199	Brake lining	1
13		Inner tube	1	36	28185	« Seeger » Ring	1
14	45201	Spring	1	37	27839	Washer	1
15	45200	Plate	2	38	45382	Rubber ring	1
16	45479	Brake shoes assembly	1	39	45380	Pedal	1
17	45202	Cam	1	40	45385	Ring	1
18	21132	Nut	1	41	21132	Nut	1
19	22169	Washer	4	42	45384	Socket	1
20	45212	Lever	1	43	45383	Bolt	1
21	45096	Bush	1	44	26407	Joint (GB); Packing (US) (discontinued)	1
22	45097	Bolt	1	45	45910	Bearing disc	1
23	45064	Circlip	1	46	45411	Ball bearing	2
				47	45908	Ball bearing spacer	1

Tab. 10 — ELECTRIC PLANT - Magneto - Sparking plug (GB); Spark plug (US) - Front lights - Rear lights - Electric horn - Switch - Wiring harness.

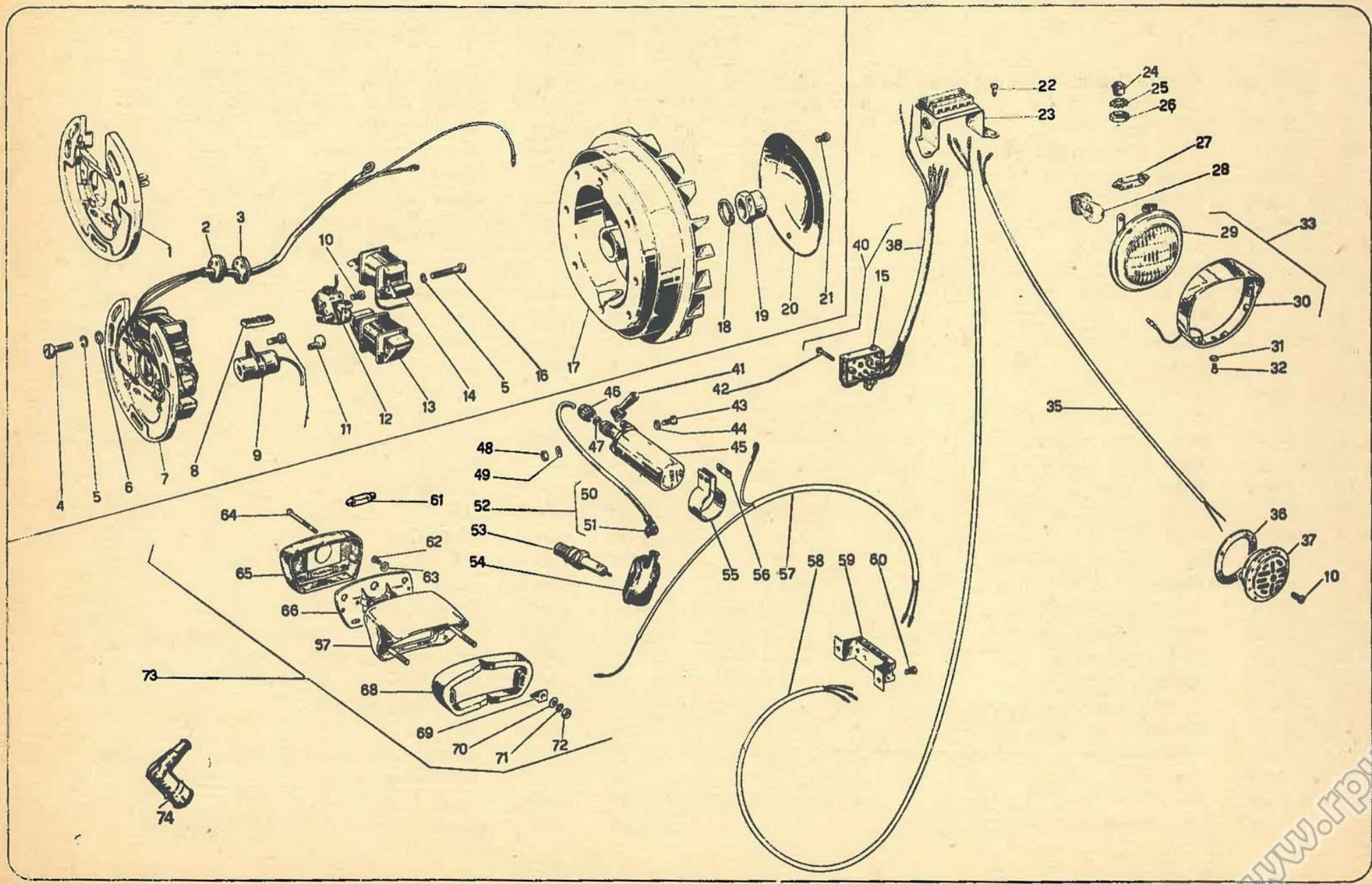


Tab. 10 — ELECTRIC PLANT - Magneto - Sparking plug (GB); Spark plug (US) - Front lights - Rear lights - Electric horn - Switch - Wiring harness.

Refer. number	Part number	DESCRIPTION	Quantity	Refer. number	Part number	DESCRIPTION	Quantity
	45450	FLYWHEEL MAGNETO, the whole made up of nos. 2 - 3 - 4 - 5 - 6 - 7 - 17 - 20 - 21	1	28	45653	Light bulb	1
1	45720	Base plate	1	29	45652	Sealed beam unit	1
2	45464	Cable grommet Ø 16 mm.	1	30	45651	Headlamp rim	1
3	45465	Cable grommet Ø 18 mm.	1	31	45656	Cup-shaped washer	3
4	21692	Screw	3	32	45655	Screw	3
5	9073	Washer (discontinued)	7	33	45589	Beam unit	1
6	45178	Washer	3	35	45675	Cables from handlebar fitting to horn	1
7	45452	Armature unit, composed of nos. 1 - 2 - 3 - 5 - 8 - 9 - 10 - 11 - 12 - 13 - 14 - 16	1	36	45641	Joint (GB); Packing (US)	1
8	45721	Felt	1	37	45648	Horn	1
9	45725	Condenser	1	38	45669	Cables from switch to handlebar fitting	1
10	7203	Screw	5	40	45670	Light switch unit	1
11	45727	Cam	1	41	45461	Connection protective cap	2
12	45726	Contact breaker	1	42	45671	Screw	2
13	45723	Low tension armature	1	43	6669	Screw	2
14	45722	High tension armature	1	44	6280	Washer	2
15	45668	Light switch	1	45	45588	High tension coil	1
16	45724	Screw	4	46	45728	Cap	1
17	45451	Field magnet unit (G. 50 and G. 50 T)	1	47	45729	Rubber ring	1
18	6479	Washer (T. E. 003-5699)	1	48	6116	Nut	2
18	45289	Washer (F. E. 003-5700)	1	49	45148	Washer	2
19	45457	Nut (T. E. 003-5699)	1	50	45698	H.T. cable	1
19	45288	Nut (F. E. 003-5700)	1	51	45699	Cable connection	1
20	45454	Dust excluder	1	52	45679	Cable (complete)	1
21	45455	Screw	3	53	22983	Sparking plug (GB); Spark plug (US)	1
22	45636	Clamp screw	4	53	26984	Sparking plug Bosch W 260 T 2	1
23	45672	Handlebar fitting	1	54	45453	Sparking plug cap	1
24	45657	Indicator light	1	55	45639	Coil fixing bracket	1
25	45659	Washer	1	56	45463	Spacer	1
26	45658	Nut	1	57	45676	Cables from handlebar fitting to rear light	1
27	45654	Torpedo-shaped light bulb	1	58	45674	Connecting cables	1
				59	45673	Body electric fitting	1
				60	6053	Screw	2

www.rpw.it

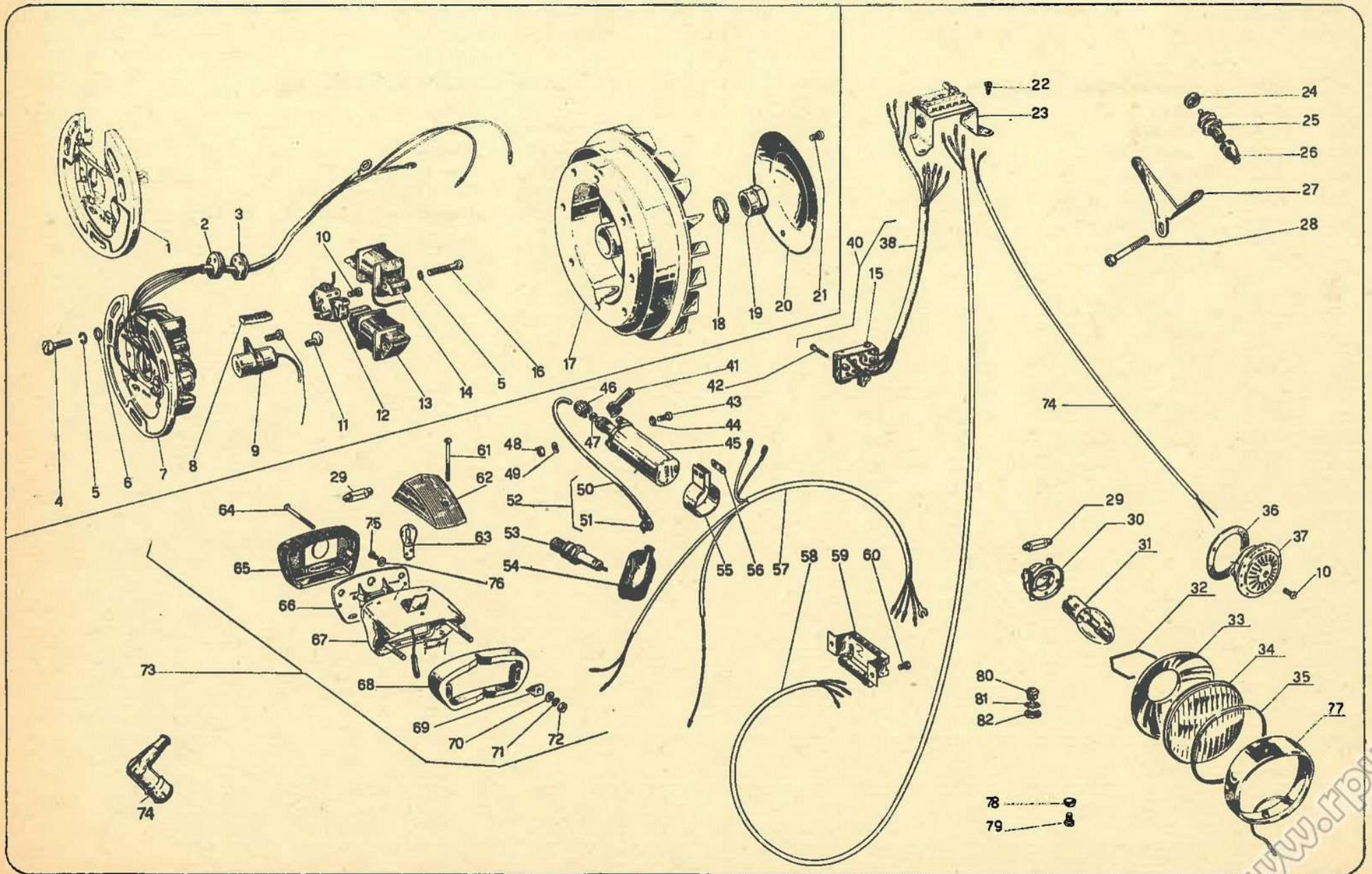
Tab. 10 — ELECTRIC PLANT - Magneto - Sparking plug (GB); Spark plug (US) - Front lights - Rear lights - Electric horn - Switch - Wiring harness.



Tab. 10 — ELECTRIC PLANT - Magneto - Sparking plug (GB); Spark plug (US) - Front lights - Rear lights - Electric horn - Switch - Wiring harness.

Refer. number	Part number	DESCRIPTION	Quantity	Refer. number	Part number	DESCRIPTION	Quantity
61	22895	Torpedo-shaped light bulb	1	68	45476	Joint (UK); Packing (US)	1
62	45478	Screw	2	69	45477	Plug	2
63	01.48226	Washer	2	70	6466	Washer	2
64	45475	Screw	2	71	6475	Washer	2
65	45474	Reflector case	1	72	7166	Nut	2
66	45472	Light base plate	1	73	45470	Rear light complete	1
67	45471	Tail lamp body	1	74	45842	Protective covering for sparking plug (upon request)	

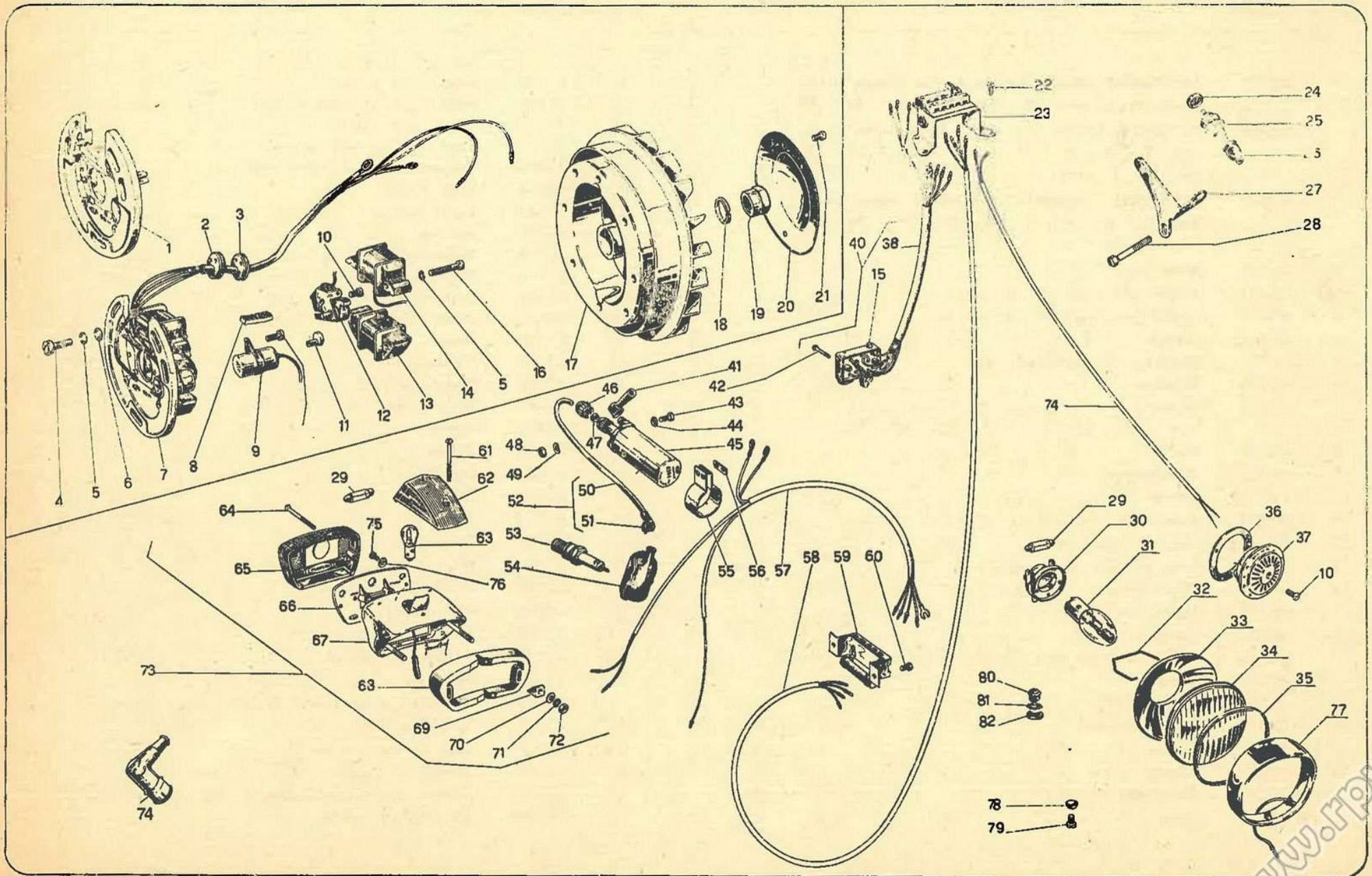
Tab. 10a — ELECTRIC PLANT - Magneto - Sparking plug (GB); Spark plug (US) - Front lights - Rear lights - Electric horn - Switch - Wiring harness.



Tab. 10a — ELECTRIC PLANT - Magneto - Sparking plug (GB); Spark plug (US) - Front lights - Rear lights - Electric horn - Switch - Wiring harness.

Refer. number	Part number	DESCRIPTION	Quantity	Refer. number	Part number	DESCRIPTION	Quantity
	45777	HEADLAMP UNIT, complete, the whole made made up of nos. 30 - 32 - 33 - 34 - 35 - 77	1	25	45788	Stop light switch	1
	45762	FLYWHEEL MAGNETO, the whole made up of nos. 2 - 3 - 4 - 5 - 6 - 7 - 17 - 20 - 21 (G. 50 T only)	1	26	45790	Stop light protective cap	1
	45870	FLYWHEEL MAGNETO, the whole made up of nos. 2 - 3 - 4 - 5 - 6 - 7 - 17 - 20 - 21 (G. 80 only)	1	27	45767	Stop light plate	1
1	45720	Base plate	1	28	29379	Stop light fixing screw	2
2	45464	Cable grommet \varnothing 16 mm.	1	29	22895	Torpedo-shaped light bulb	2
3	45465	Cable grommet \varnothing 18 mm.	1	30	45634	Bulb holder	1
4	21692	Screw	3	31	10362	Light bulb	1
5	9073	Washer (discontinued)	7	32	45597	Spring	1
6	45178	Washer	3	33	45778	Reflector with spring	1
7	45764	Armature unit, composed of nos. 1 - 2 - 3 - 5 - 8 - 9 - 10 - 11 - 12 - 13 - 14 - 16	1	34	45595	Prismatic glass	1
8	45721	Felt	1	35	45596	Joint (GB); Packing (US)	1
9	45725	Condenser	1	36	45641	Joint (Packing) for horn	1
10	7203	Screw	5	37	45781	Horn	1
11	45727	Cam	1	38	45783	Cables	1
12	45726	Contact breaker	1	40	45782	Light switch (complete)	1
13	45799	Low tension armature	1	41	45461	Connection protective cap	2
14	45798	High tension armature	1	42	45671	Screw	2
15	45792	Light switch	1	43	6669	Screw	2
16	45724	Screw	4	44	6280	Washer	2
17	45871	Field magnet unit (G. 80 only)	1	45	45588	Coil	1
18	45289	Washer	1	46	45728	Cap	1
19	45288	Nut	1	47	45729	Rubber ring	1
20	45454	Dust excluder	1	48	6116	Nut	2
21	45455	Screw	3	49	45148	Washer	2
22	45636	Clamp screw	4	50	45698	H.T. cable	1
23	45784	Handlebar fitting	1	51	45699	Cable connection	1
24	45791	Stop light cap	1	52	45679	Cable (complete)	1
				53	22983	Sparking plug (UK); Spark plug (US)	1
				53	26984	Sparking plug- Besch W 260 T 2	1
				54	45453	Sparking plug cap	1
				55	45639	Coil fixing bracket	1
				56	45463	Spacer	1
				57	45787	Cables from handlebar fitting to rear light	1
				58	45786	Connecting cables	1

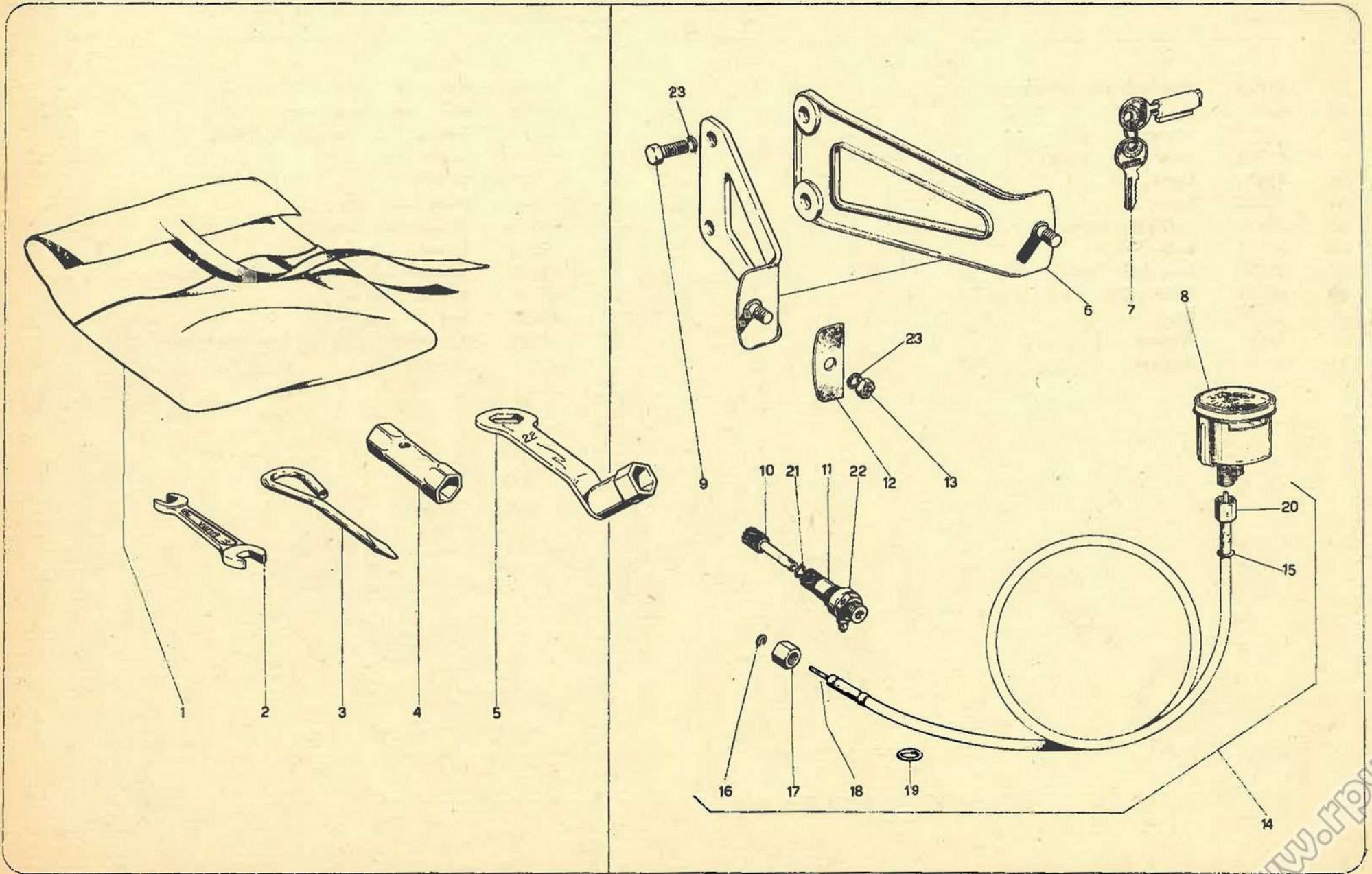
Tab. 10a — ELECTRIC PLANT - Magneto - Sparking plug (GB); Spark plug (US) - Front lights - Rear lights - Electric horn - Switch - Wiring harness.



Tab. 10a — ELECTRIC PLANT - Magneto - Sparking plug (GB); Spark plug (US) - Front lights - Rear lights - Electric horn - Switch - Wiring harness.

Refer. number	Part number	DESCRIPTION	Quantity	Refer. number	Part number	DESCRIPTION	Quantity
59	45785	Body electric fitting	1	72	7166	Nut	2
60	6053	Screw	2	73	45779	Rear light complete	1
61	45769	Screw	1	74	45793	Cables from handlebar fitting to horn	1
62	45763	Stop light casing	1	75	45478	Screw	2
63	45473	Light bulb	1	76	01.48226	Washer	2
64	45475	Screw	2	77	45651	Head lamp rim	1
65	45474	Reflector casing	1	78	45656	Cup-shaped washer	3
66	45472	Bulb holder	1	79	45655	Screw	3
67	45780	Rear light body	1	80	45657	Indicator light	1
68	45476	Joint (GB); Packing (US)	1	81	45659	Spring washer	1
69	45477	Plug	2	82	45658	Nut	1
70	6466	Washer	2	83	45849	Protective covering for sparking plug (upon request)	1
71	6475	Washer	2				

Tab. 11 — ACCESSORIES - TOOLS - Tooling - Wheel support - Anti-theft device - Speedometer.



Tab. 11 — ACCESSORIES - TOOLS - Tooling - Wheel support - Anti-theft device - Speedometer.

Refer. number	Part number	DESCRIPTION	Quantity	Refer. number	Part number	DESCRIPTION	Quantity
	45481	WHEEL unit with tyre (G. 50) (T.E. 003-5598)	1	8	45681	Speedometer in kilometres	1
	45774	WHEEL unit with tyre (G. 50 T) (T.E. 004-298)	1	8	45868	Speedometer in kilometres (G. 80)	1
	45701	WHEEL unit (G. 50 T) (F.E. 003-5599)	1	9	6124	Bolt	4
	45715	WHEEL unit (G. 50 T) (F.E. 004-299) (G. 80) (F.E. 005-1)	1	10	45693	Spindle	1
	45692	SPEEDOMETER DRIVE, the whole made up of nos. 10 - 11 - 21 - 22	1	11	45695	Speedometer drive housing	1
	45370	Tool bag complete with tools	1	12	45644	Joint (GB); Packing (US)	2
1	29913	Tool bag	1	13	7358	Nut	2
2	27286	Spanner 8-11 mm.	1	14	45685	Speedometer cable complete	1
3	45373	Screwdriver	1	15	45689	Ring	1
4	45371	Box spanner 14-17 mm.	1	16	45691	Washer	1
5	45369	Bent socket wrench 21-22 mm.	1	17	45690	Lower ring nut	1
6	45642	Plate	2	18	45686	Speedometer cable	1
7	45490	Lock with keys	1	19	9315	Ring	1
8	45759	Speedometer in miles	1	20	45688	Upper ring nut	1
8	45867	Speedometer in miles (G. 80)	1	21	45694	Washer	1
				22	45696	Spacer	1
				23	6477	Spring washer	6

Copie 500 - Febbraio 1965

Carlo Bertoni

TIPOGRAFIA EDITRICE BRIANTEA

MERATE (Como)

Telefono 52.032

www.rpw.it



MOTO GILERA S. p. A.

WORKS AND HEAD OFFICE: ARCORE (Milan) - Telephone: Vimercate 64.020 - 64.044 - 64.096 - 64.098

www.rpv.it