

## SECURITY ALARM

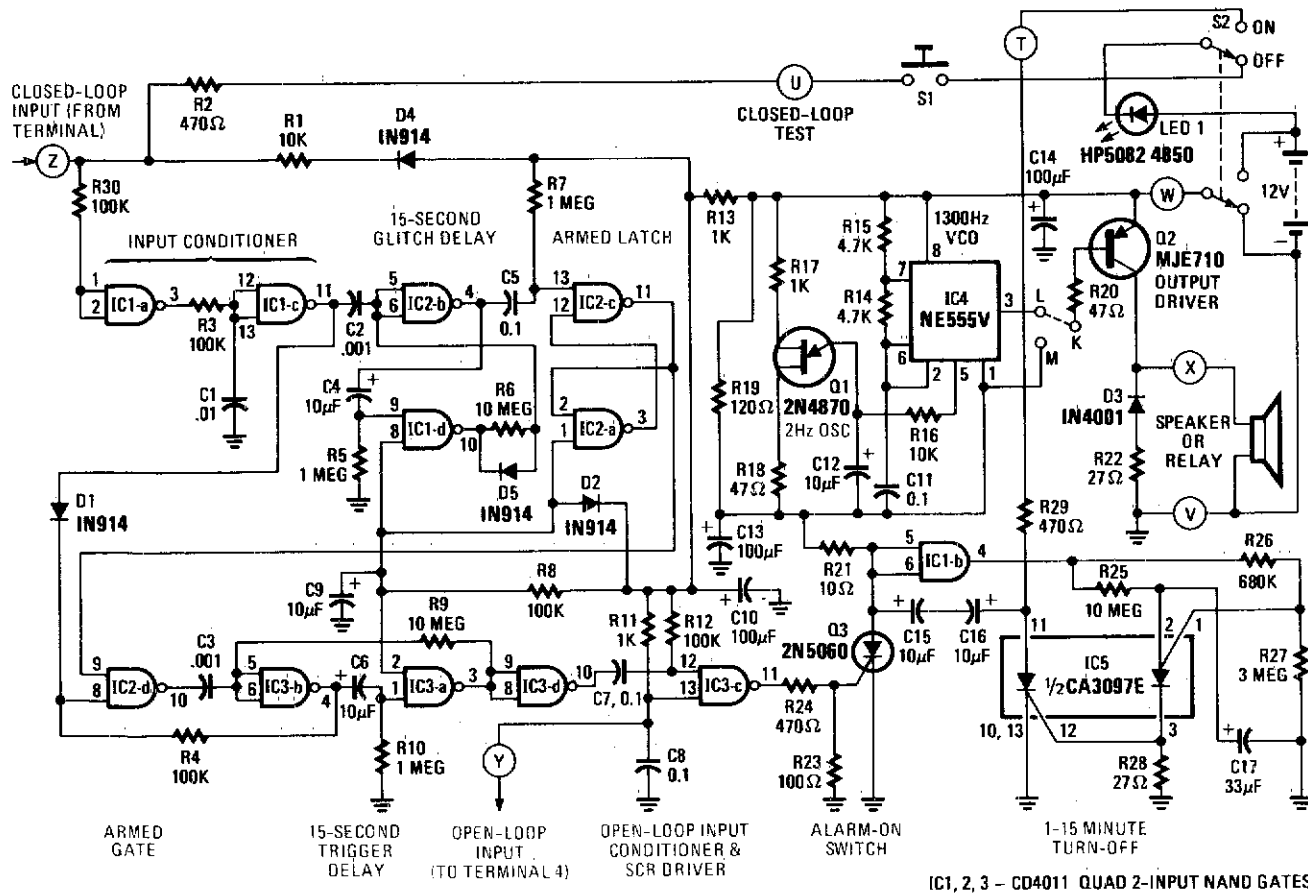


Fig. 1-3

## Circuit Notes

This alarm features open- and closed-loop detector and automatic alarm shutoff. Offers 15 second exit/entrance delay. Alarm on time can be adjusted from 1 to 15 minutes.