

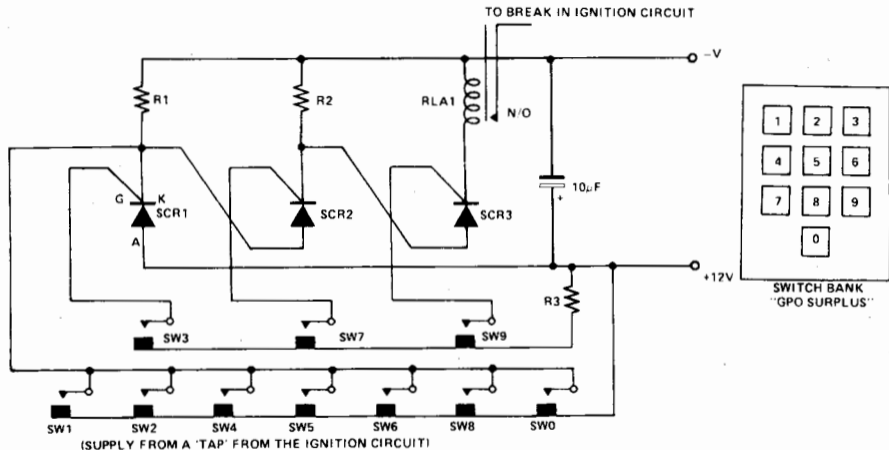
CODE SWITCH

When button 3 is pressed R3 'Gates' SCR 1, which remains on with a load of R1. It also supplies voltage to the anode of SCR 2.

When button 7 is pressed SCR 2 is 'Gated' by R3 also, and held on by R2, thus supplying the anode of SCR 3, which when 'Gated' by button 9 closes the relay and makes an external circuit.

It can also be used to switch a circuit off depending on how the relay is wired. This would be an advantage in a home intruder alarm.

Components: The Thyristors can be any type and values for R1 and 2 selected to hold the SCR's in conduct-



ion. R3 is selected to suit the thyristors. The remaining buttons, 1,2,4,5,6,

8,0 when pressed short out SCR1, thus switching off any following SCR.