

FIGURE 2

CHINESE BUILT
PIR MOTION DETECTOR/
LAMP CONTROL
AFTER MODIFICATION

Dwn	DAN FRASER
Eng	
Chk	

FRASER TECHNOLOGIES LTD.
7803 - 127 ST.
SURREY B.C. CANADA
V3W 4E2

Dwg	PIR_M0T2
Rev	
Date	AUG. 5/92

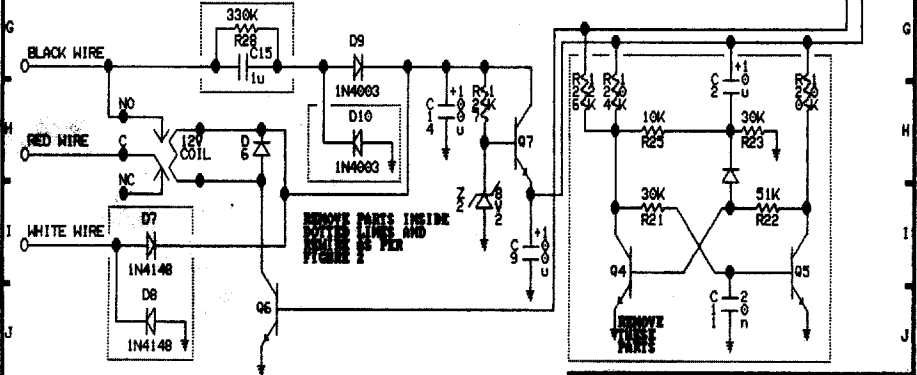
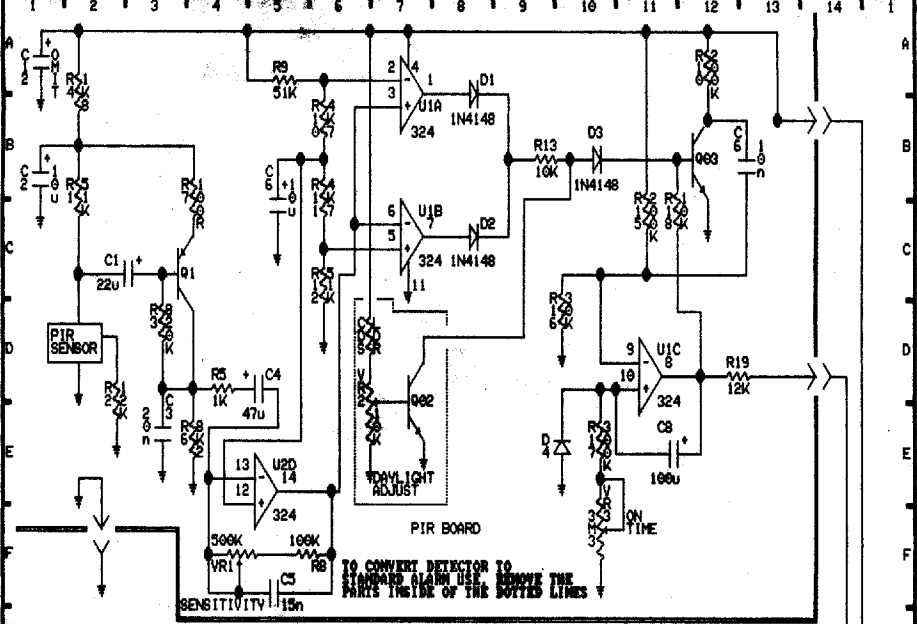


FIGURE 1

CHINESE MADE PIR MOTION DETECTOR/ LAMP CONTROL AS BUILT	Dev	DAN FRASER
	Eng	
	Chk	
FRASER TECHNOLOGIES LTD. 7805 - 17 ST SURREY B.C. CANADA V3H 4E2	Dwg	PIR_MOT1
	Rev	
	Date	AUG. 4/92