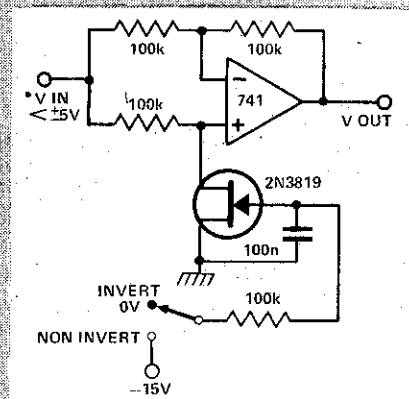


Digitally Controlled Invert/Non-Invert

The FET is digitally controlled to be either ON (a few hundred ohms shorting the non-inverting input of the IC to ground), or OFF (an open circuit). When the FET is OFF, the circuit is that of a voltage follower. When the FET is ON, the non-inverting input is, to all intents and purposes, grounded, and so the circuit is that of a virtual earth amplifier with a voltage gain of -1 , that is, an inverter.



IF CIRCUITS ARE YOUR INTEREST, WHY NOT TAKE A LONG LOOK AT PAGE 56 FOR NEWS OF OVER 100 CIRCUITS WHICH ARE BEING OFFERED AT LESS THAN 2P EACH? (AND THAT INCLUDES POSTAGE!)