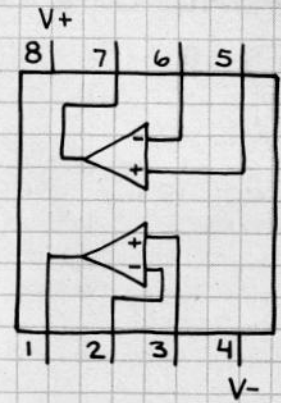
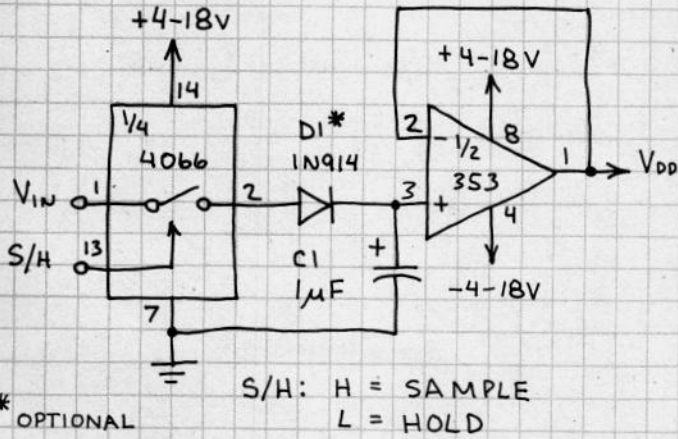


DUAL OPERATIONAL AMPLIFIER LF353N (JFET INPUT)

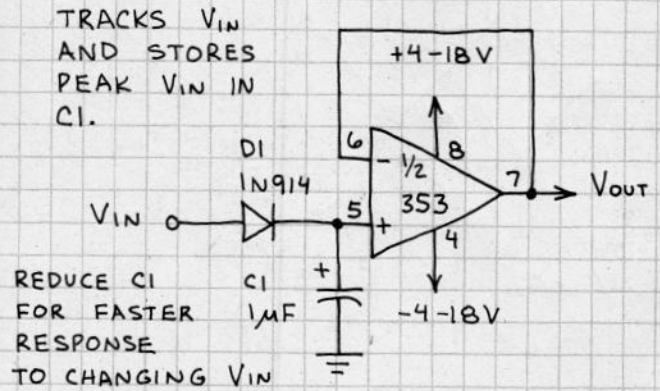
HIGH IMPEDANCE (10^{12} OHM) JUNCTION FET INPUTS. OUTPUT SHORT CIRCUIT PROTECTION. HIGH SLEW RATE ($13V/\mu\text{SEC}$), LOW NOISE OPERATION. AMPLIFIERS ARE SIMILAR TO THOSE IN THE TLO84C. NOTE THAT PIN CONNECTIONS ARE THE SAME AS 1458. THIS OP-AMP, HOWEVER, OFFERS MUCH BETTER PERFORMANCE.



SAMPLE AND HOLD

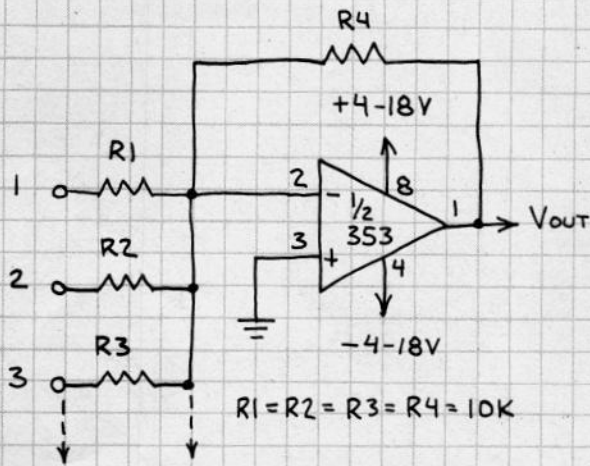


PEAK DETECTOR



PROGRAMMABLE GAIN OP-AMP

AUDIO MIXER



CONNECT OUTPUTS OF PREAMPLIFIERS TO INPUTS 1-3. OK TO ADD MORE CHANNELS. WORKS WELL WITH TLO84 MICROPHONE PREAMPLIFIERS.

