

# Get More Power Out of Dual or Quad Op-Amps

National Semiconductor  
 Linear Brief 44  
 Bob Pease  
 April 1979



Get More Power Out of Dual or Quad Op-Amps

Although simple brute-force paralleling of op-amps is a bad scheme for driving heavy loads, here is a good scheme for dual op-amps. It is fairly efficient, and will not overheat if the load is disconnected. It is *not* useful for driving active loads or nonlinear loads, however.

In *Figure 1*, an LF353N mini-DIP can drive a 600Ω load to ±9V typical (±6V min guaranteed) and will have only a 47°C temperature rise above free air. If the load R is removed, the chip temperature will rise to +50°C above free air. Note that A2's task is to drive half of the load. A1 could

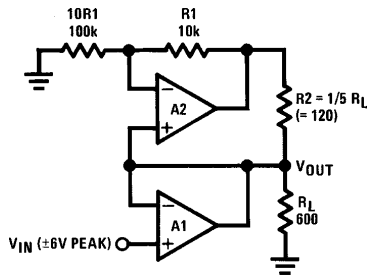
be applied as a unity-gain follower *or* inverter, or as a high-gain or low-gain amplifier, integrator, etc.

While *Figure 1* is suitable for sharing a load between 2 amplifiers, it is not suitable for 4 or more amplifiers, because the circuit would tend to go out of control and overheat if the load is disconnected.

Instead, *Figure 2* is generally recommended, as it is capable of driving large output currents into resistive, reactive, nonlinear, passive, or active loads. It is easily expandable to use as many as 2 or 4 or 8 or 20 or more op-amps, for driving heavier loads.

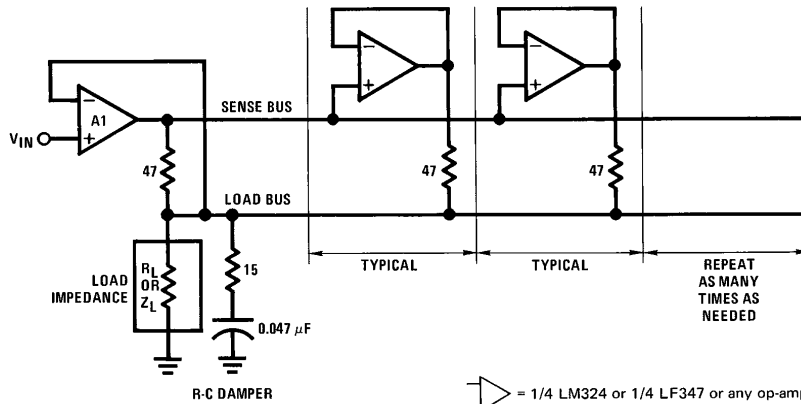
It operates, of course, on the principle that every op-amp has to put out the same current as A1, whether that current is plus, minus, or zero. Thus if the load is removed, all amplifiers will be unloaded together. A quad op-amp can drive 600Ω to ±11 or 12 volts. Two quads can put out ±40 mA, but they get only a little warm. A series R-C damper of 15Ω in series with 0.047 μF is useful to prevent oscillations (although LM324's do not seem to need any R-C damper).

Of course, there is no requirement for the main amplifier to run only as a unity-gain amplifier. In the example shown in *Figure 3*, A1 amplifies a signal with a gain of +10. A2 helps it drive the load. Then A3 operates as a unity-gain inverter to provide  $V_2 = -V_1$ , and A4 helps it drive the load. This circuit can drive a floating 2000Ω load to ±20V, accurately, using a slow LM324 or a quick LF347.



TL/H/8493-1

A1, A2 = 1/2 LM747 or 1/2 LF353 or any op-amp.  
**FIGURE 1. A1 and A2 Share the Load**



= 1/4 LM324 or 1/4 LF347 or any op-amp.

TL/H/8493-2

**FIGURE 2. Improved Load-Sharing Circuit**

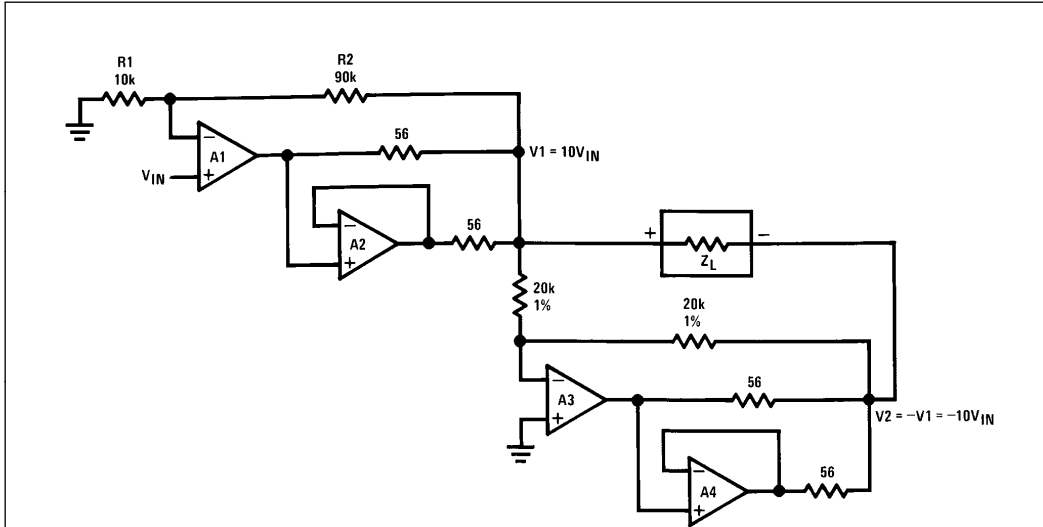


FIGURE 3. Typical Application of Load-Sharing

TL/H/8493-3

**LIFE SUPPORT POLICY**

NATIONAL'S PRODUCTS ARE NOT AUTHORIZED FOR USE AS CRITICAL COMPONENTS IN LIFE SUPPORT DEVICES OR SYSTEMS WITHOUT THE EXPRESS WRITTEN APPROVAL OF THE PRESIDENT OF NATIONAL SEMICONDUCTOR CORPORATION. As used herein:

1. Life support devices or systems are devices or systems which, (a) are intended for surgical implant into the body, or (b) support or sustain life, and whose failure to perform, when properly used in accordance with instructions for use provided in the labeling, can be reasonably expected to result in a significant injury to the user.
2. A critical component is any component of a life support device or system whose failure to perform can be reasonably expected to cause the failure of the life support device or system, or to affect its safety or effectiveness.



**National Semiconductor Corporation**  
 1111 West Bardin Road  
 Arlington, TX 76017  
 Tel: 1(800) 272-9959  
 Fax: 1(800) 737-7018

**National Semiconductor Europe**  
 Fax: (+49) 0-180-530 85 86  
 Email: cnjwge@tevm2.nsc.com  
 Deutsch Tel: (+49) 0-180-530 85 85  
 English Tel: (+49) 0-180-532 78 32  
 Français Tel: (+49) 0-180-532 93 58  
 Italiano Tel: (+49) 0-180-534 16 80

**National Semiconductor Hong Kong Ltd.**  
 19th Floor, Straight Block,  
 Ocean Centre, 5 Canton Rd.  
 Tsimshatsui, Kowloon  
 Hong Kong  
 Tel: (852) 2737-1600  
 Fax: (852) 2736-9960

**National Semiconductor Japan Ltd.**  
 Tel: 81-043-299-2309  
 Fax: 81-043-299-2408

National does not assume any responsibility for use of any circuitry described, no circuit patent licenses are implied and National reserves the right at any time without notice to change said circuitry and specifications.