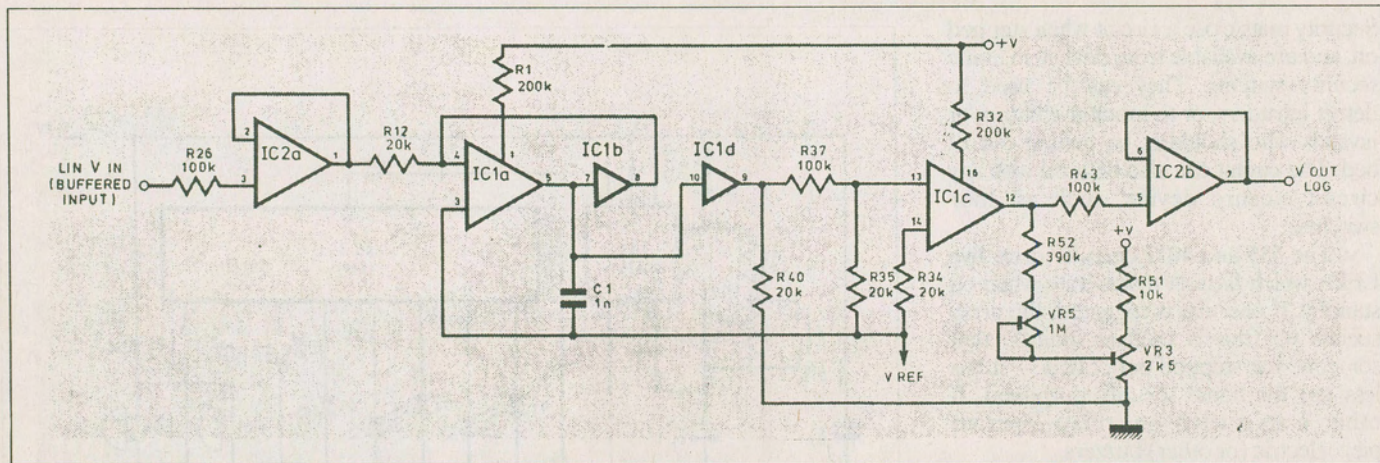


## Circuit Special

### LIN/LOG CONVERTER



Useful for synthesizers or test gear, this linear-to-logarithmic converter uses the LM13600 transconductance amplifier (IC1) and any dual low-noise op amp.

To maintain the same equivalent currents on both control nodes of IC1a and 1c, which assists temperature stability, the gain can be varied with trim-

mer VR5 to change the load factor at the output of IC1c. The overall voltage range can be shifted up or down by adjusting trimmer VR3.