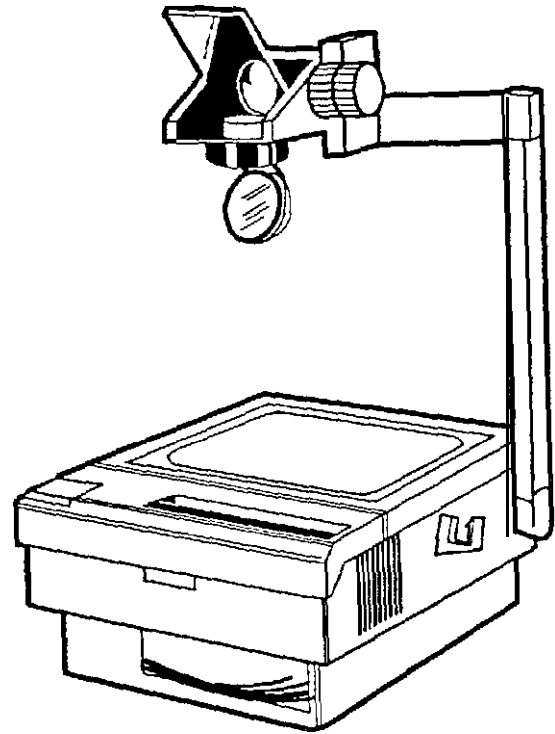
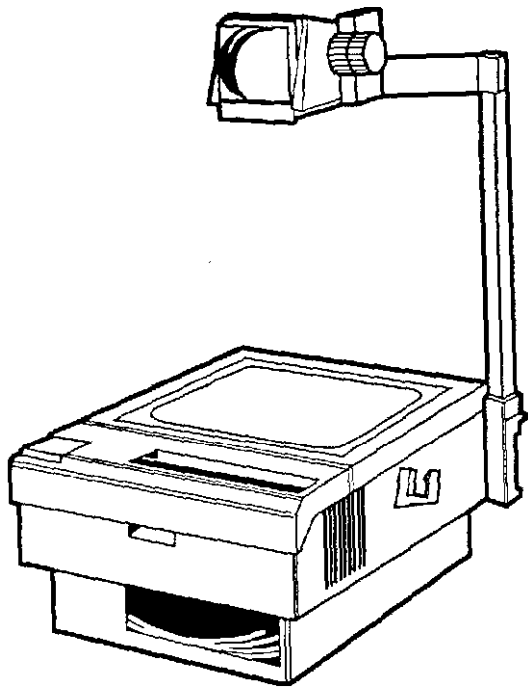


900/955 Series Overhead Projectors



Illustrated Parts Breakdown

(The Model 9001955 Service Manual is a separate publication.
Order the M900 Service Manual - Stock Number 78-6970-2516-7)

78-6970-4941-5 12/92

Visual Systems Division
3M Austin Center
Building AI 45-5N-01
6801 River Place Blvd.
Austin, TX 78726-9000

The 3M logo, consisting of the letters '3' and 'M' in a bold, sans-serif font.

SECTION 7 - ILLUSTRATED PARTS BREAKDOWN

PROJECTION HEAD ASSEMBLIES
FIGURES 7-1, 7-2

Page 7-3

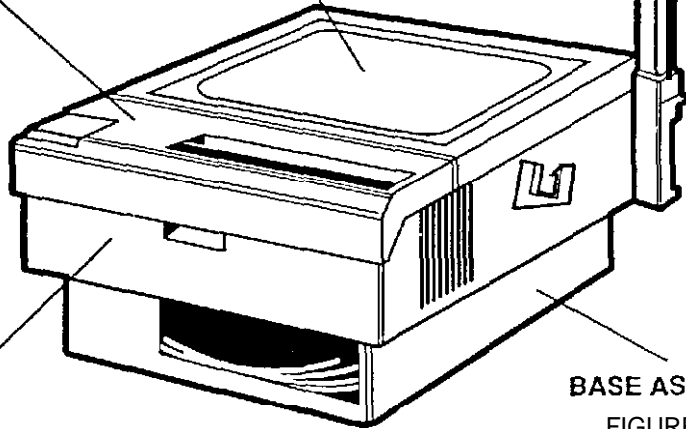
ARM, POST AND
FOCUS ASSEMBLY

FIGURE 7-3
Page 7-7

FRESNEL AND STAGE ASSEMBLY
FIGURE 7-5

Page 7-12

TOP COVER ASSEMBLY
FIGURE 7-4
Page 7-9



BASE ASSEMBLY

FIGURE 7-6
Page 7-13

LAMPHOUSING ASSEMBLIES
FIGURES 7-7, 7-8, 7-9
Page 7-15

ROLLER ATTACHMENT

FIGURE 7-10
Page 7-25

FIELD UPDATE KITS

Purpose	Description	Notes	Part Number
To increase lamp life in all 120V M900's (except the M955)	Resistor Kit	Installed in Model 905D, 905W, & 908s after S/N 903095, but can be installed in all other 120V M900s except the M955	78-6969-7934-9
To increase lamp life in the M955	Resistor Kit	Installed in M955s after S/N 809375	78-8073-7302-8
To increase lamp life in 220/240V 900s (except the M955)	Resistor Kit		78-8064-1832-9
To reduce vibration in all M900s	Foot Kit	Installed in M900s & 955s after 3/11/91	78-6969-7794-7

NOTE: Kits can be ordered from the St. Paul Parts Department

FIGURE 7-1 ARTICULATE (CLOSED) HEAD ASSEMBLIES

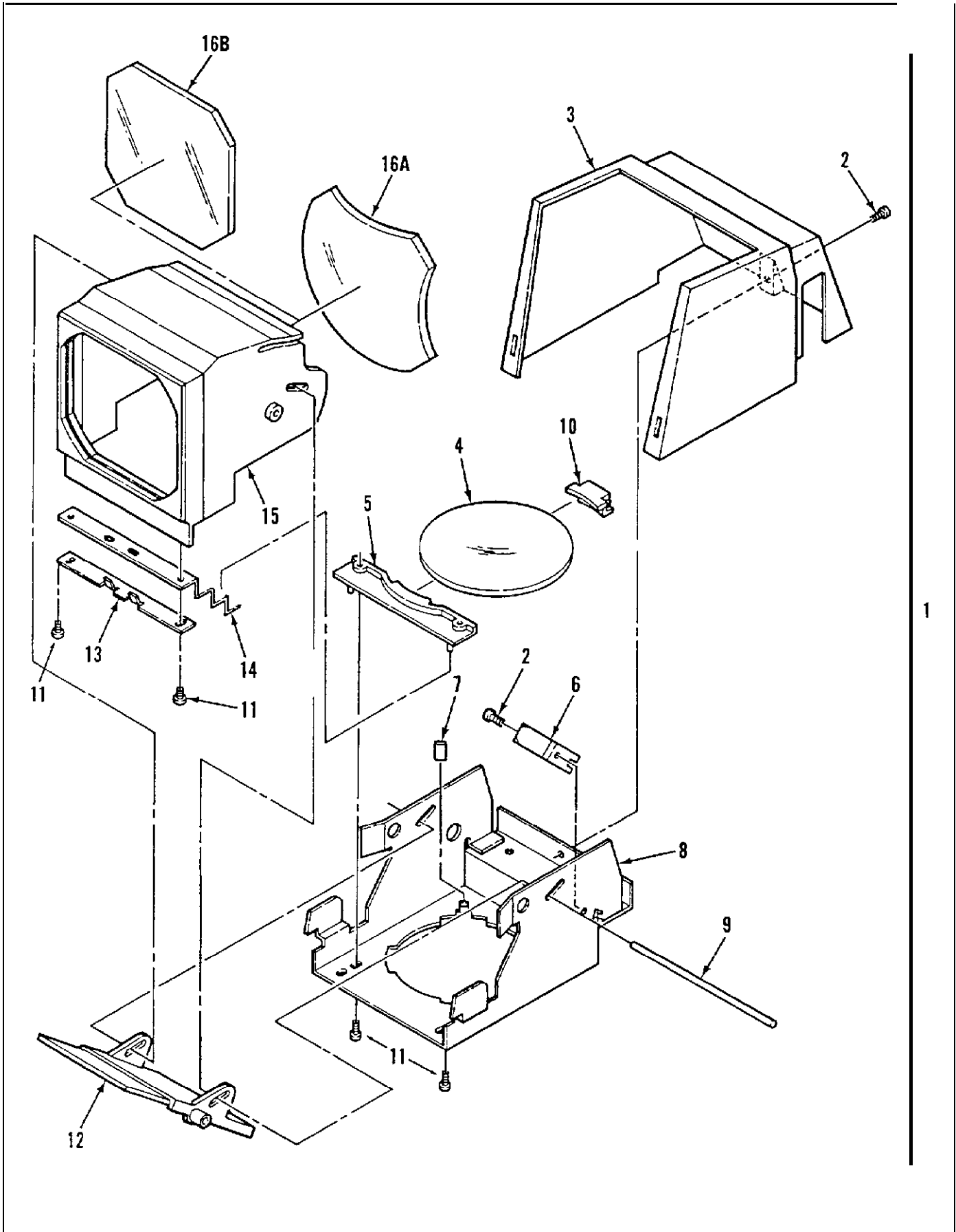


FIGURE 7-1 ARTICULATE (CLOSED) HEAD ASSEMBLIES

Item Number	Part Number	Description	Qty. Req.	Used On
1	75-8064-1420-3	ART DOUBLET HEAD ASSEMBLY, 14" (355mm)	1	905,910
	78-8064-1421-1	ART SINGLET HEAD ASSEMBLY, t 1.5" (293mm)	1	905W, 908
2	26-1007-1061-0	SCREW, Phil. pan hd., 173.5 x 0.6 x 10	2	All
3	78-8064-1559-8	COVER, Head (Medium Grey)	1	All
4	78-8011 -1440-2	LENS, Meniscus - 14" (355 mm)	1	905D, 910
	78-8014-8951-5	LENS, Wide Angle, 11.5" (293mm)	1	905W, 908
5	78-8064-1595-2	CLAMP, Lens (Doublet)	1	905D, 910
	78-8064-1 596-0	CLAMP, Lens, (Singlet)	1	905W, 908
6	78-8014-8817-8	SPRING, Tension	1	All
7	78-8064-1646-3	TUBING, Lens	2	905D, 910
8	78-8064-1579-6	BRACKET, Lens	1	All
9	78-8011-1445-1	SHAFT, Pivot	1	All
10	78-8064-1643-D	MOUNT, Lens	1	905W, 908
11	26-1002-4966-8	SCREW, Phil. pan hd., 4.20 x 1/4	4	All
12	78-8064-1457-5	MIRROR, Housing assembly	1	905W, 905D
13	78-8064-1602-6	CLAMP, Dust shield and lens	1	All
14	78-8064-1797-4	SHIELD, Dust	1	All
15	78-8064-1562-2	HOUSING, Exit lens (Black)	1	All
16A	78-8014-8812-9	LENS, Exit - 14" (355 mm)	1	905D, 910
16B	78-8064-1650-5	GLASS, Exit (Plano)	1	905W, 908

When ordering colored parts, refer to the 3M Overhead Projector Color Chart 78-6970-4908-4

FIGURE 7-2 OPEN HEAD ASSEMBLIES

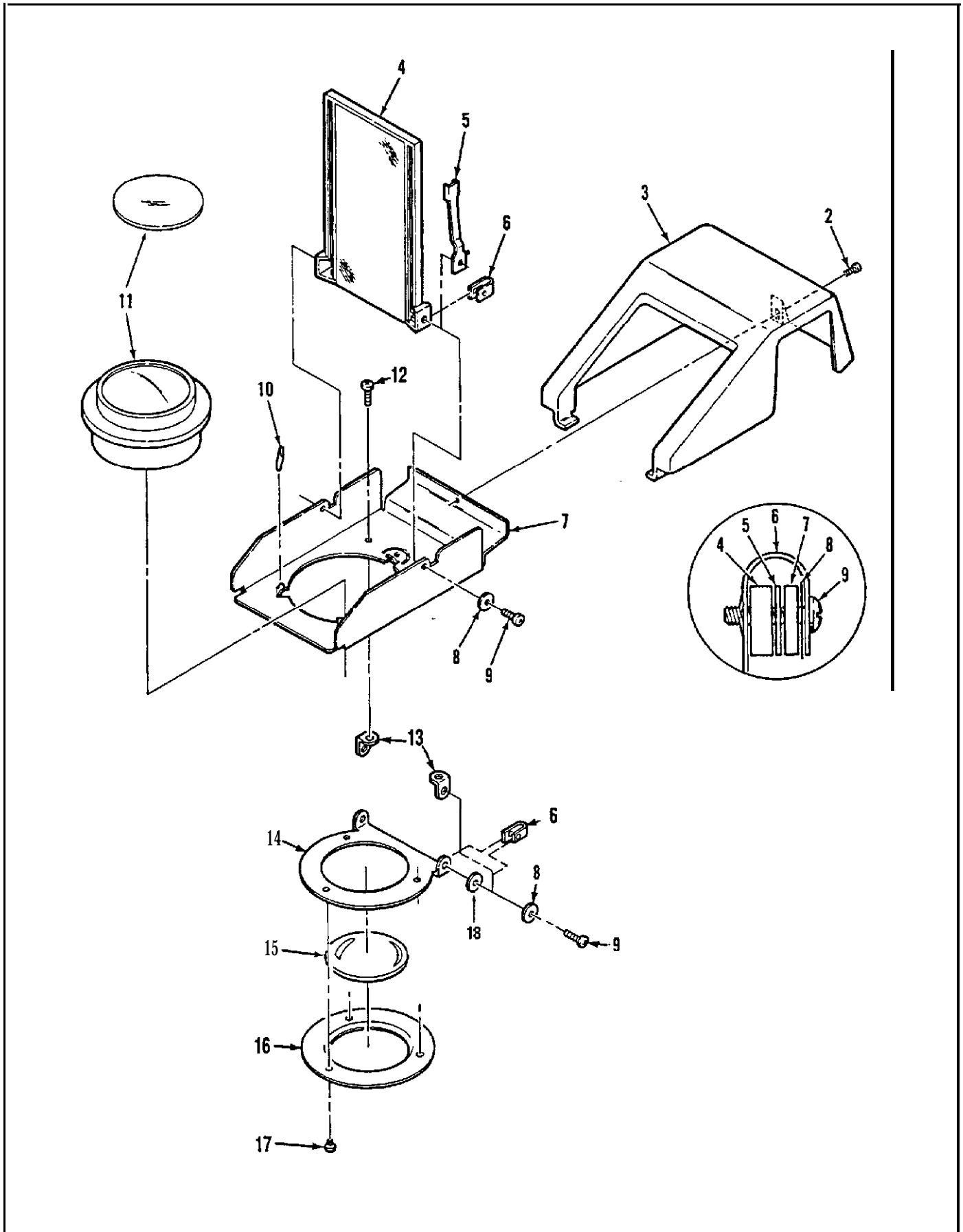


FIGURE 7-2 OPEN HEAD ASSEMBLIES

Item Number	Part Number	Description	Qty. Req.	Used On
1	78-8064-1408-8	OPEN SINGLET HEAD ASSEMBLY, 11.5" (293mm)	1	905
	78-8064-1419-5	OPEN TRIPLET HEAD ASSEMBLY, 13.0" (330mm)	1	920
	78-8073-7234-3	OPEN TRIPLET HEAD ASSY. with MAGNIFIER	1	955
2	26-1007-1061-0	SCREW, Phil. pan hd., 173.5 x 0.6 x 10	1	All
3	78-8064-1514-3	COVER, Head, singlet (Medium Grey)	1	905
	78-8064-1558-o	COVER, Head, triplet (Black)	1	920
4	78-8073-7233-5	COVER, Head, triplet (Dark Grey)	1	955
	78-8057-4230-7	MIRROR HOUSING ASSEMBLY (Black)	1	905,920
	78-8073-7232-7	MIRROR HOUSING ASSEMBLY (Dark Grey)	1	955
5	78-8064-1605-9	SPRING, Mirror, dampening	1	All
6	78-8003-9762-a	NUT, U 8-32 x 0.44w x .741g	1	All
7	78-8064-1480-7	BRACKET, Lens, singlet	1	905,
	78-8064-1517-6	BRACKET, Lens, triplet	1	920
8	26-1004-0460-2	WASHER, Nylon, .172ID x .56OD x .15Thk	1	All
9	26-1005-9570-6	SCREW, Phil. pan hd., 8-32 x 7116	1	All
10	78-8064-1646-3	TUBING, Lens	3	905
11	78-8014-8951-5	LENS, Wide angle, 11.5" (293mm)	1	905
	78-8064-1833-7	LENS, Triplet 13.0" (330mm)	1	920,955
12	26-1002-5091-4	SCREW, Phil, pan hd 6.32 X 14 lg	2	955
13	78-8073-7200-4	MOUNT, Auxiliary lens	2	955
14	78-8073-7201-2	FRAME, Auxiliary lens	1	955
15	78-8073-7209-5	LENS, Auxiliary	1	955
16	78-8073-7202-o	RETAINER, Auxiliary lens	1	955
17	26-1 002-5084-9	SCREW, Pan hd thd form taptite 4-40 x 3/16 lg	3	955
18	78-8064-1592-9	WASHER	2	955

When ordering colored parts, refer to the 3M Overhead Projector Color Chart **78-6970-4908-4**

FIGURE 7-3 ARM AND FOCUS ASSEMBLY

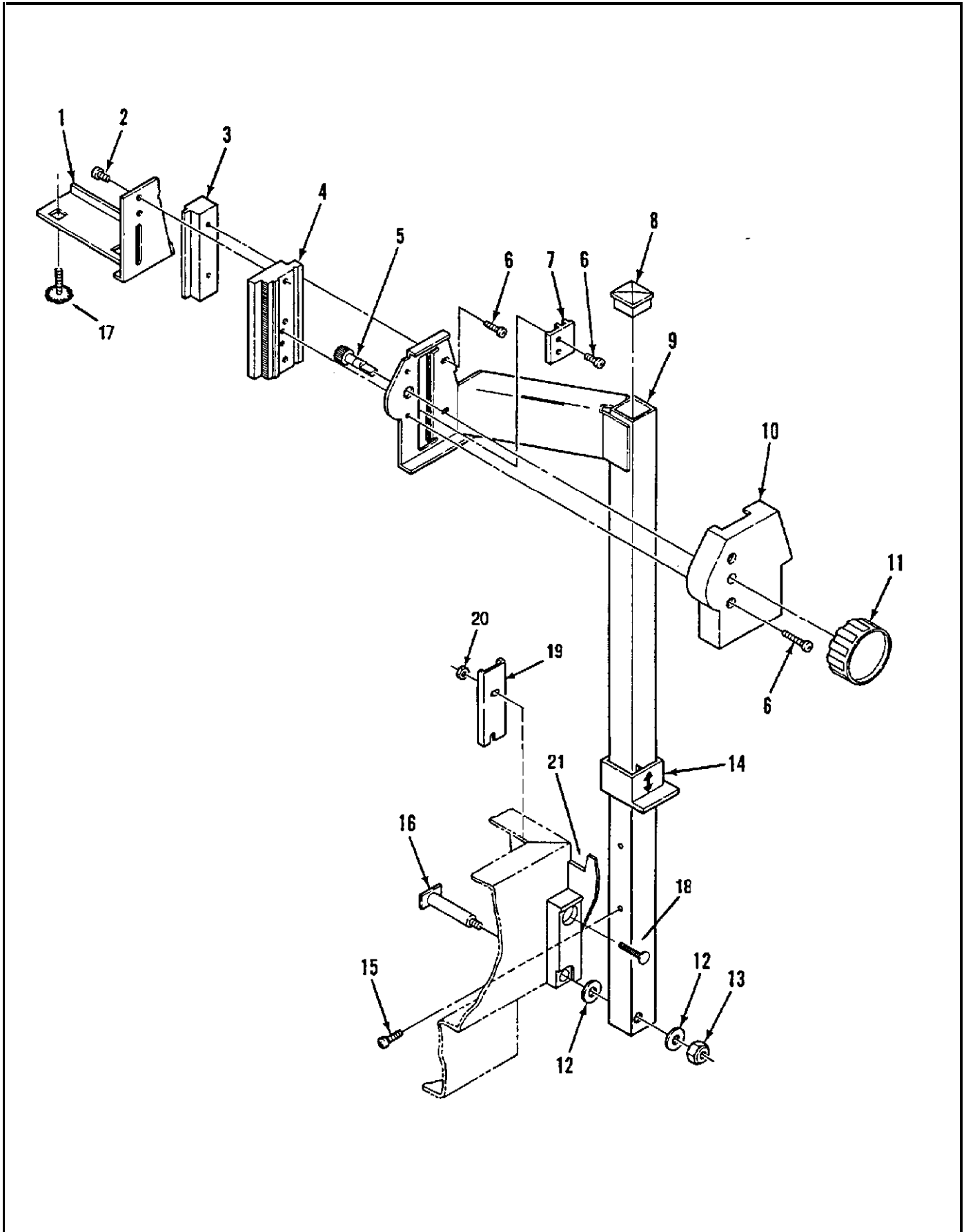


FIGURE 7-3 ARM AND FOCUS ASSEMBLY

Item Number	Part Number	Description	Qty. Req.
1	78-8064-1591-1	"L" BRACKET	1
2	26-1002-4973-4	SCREW, Phil. pan hd., 8-16 x 1/2	2
3	78-8064-1555-6	GUIDE, Gear rack	1
4	78-8064-1552-3	GEAR RACK, Focus	1
5	78-8064-1522-6	GEAR, Focus	1
6	26-1002-4971-8	SCREW, Phil. pan hd.. 6-19 x 1/2	6
7	78-8064-1556-4	SLIDE, Focus	1
8	26-1009-3653-8	CAP, Plastic	1
9	78-8064-1482-3	POST ARM WELDMENT (Black)	1
	78-8073-7223-6	POST ARM WELDMENT (Dark Grey) Model 955	1
10	78-8064-1506-9	COVER, Focus (Black)	1
	78-8073-7224-4	COVER, Focus (Dark Grey) Model 955	1
11	78-8064-1601-8	KNOB, Focus (Black)	1
	78-8073-7225-1	KNOB, Focus (Purple) Model 955	1
12	78-8064-1592-9	WASHER, Pivot	2
13	26-1006-7602-7	NUT, Hex, 1/4-20, elastic stop locknut	1
14	78-8064-1533-3	LOCK, Post	1
15	26-1007-1061-O	SCREW, Phil. pan hd., M3.5 x 0.6 x 1-	1
16	78-8064-1511-9	PIVOT, Post	1
17	26-1003-6669-4	SCREW, Sems hex hd., M4 x 0.7 x 16	2
18	26-1006-7883-3	BOLT, Carriage, 1/4-20 x 5/8	1
19	78-8064-1516-8	PLATE, Backup	1
20	26-1006-7602-7	NUT, Hex, KEPS	1
21	78-8064-1530-9	MOUNT, Post	1

When ordering colored parts, refer to the 3M Overhead Projector Color Chart 78-6970-4908-4

FIGURE 7-4 TOP COVER ASSEMBLY

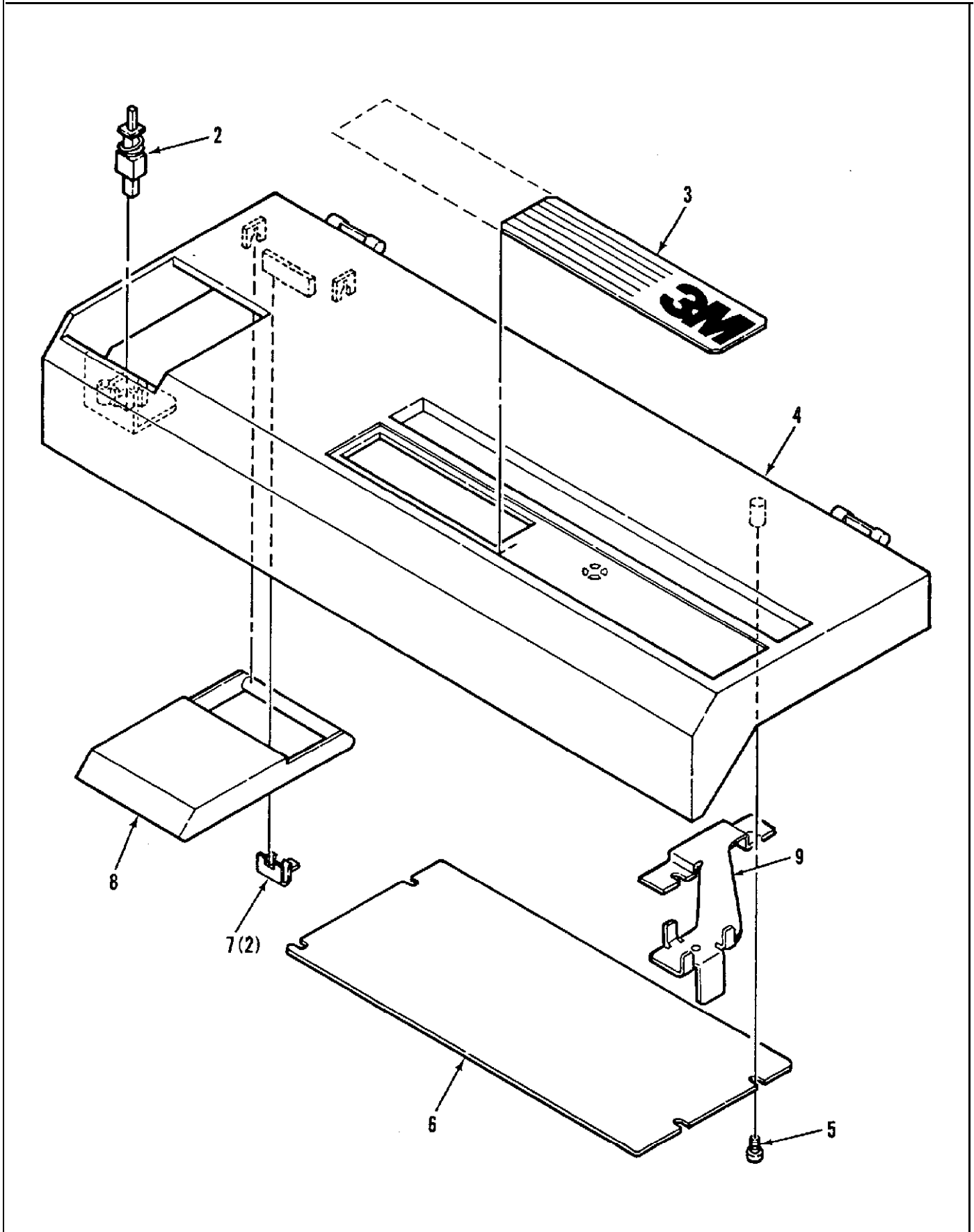
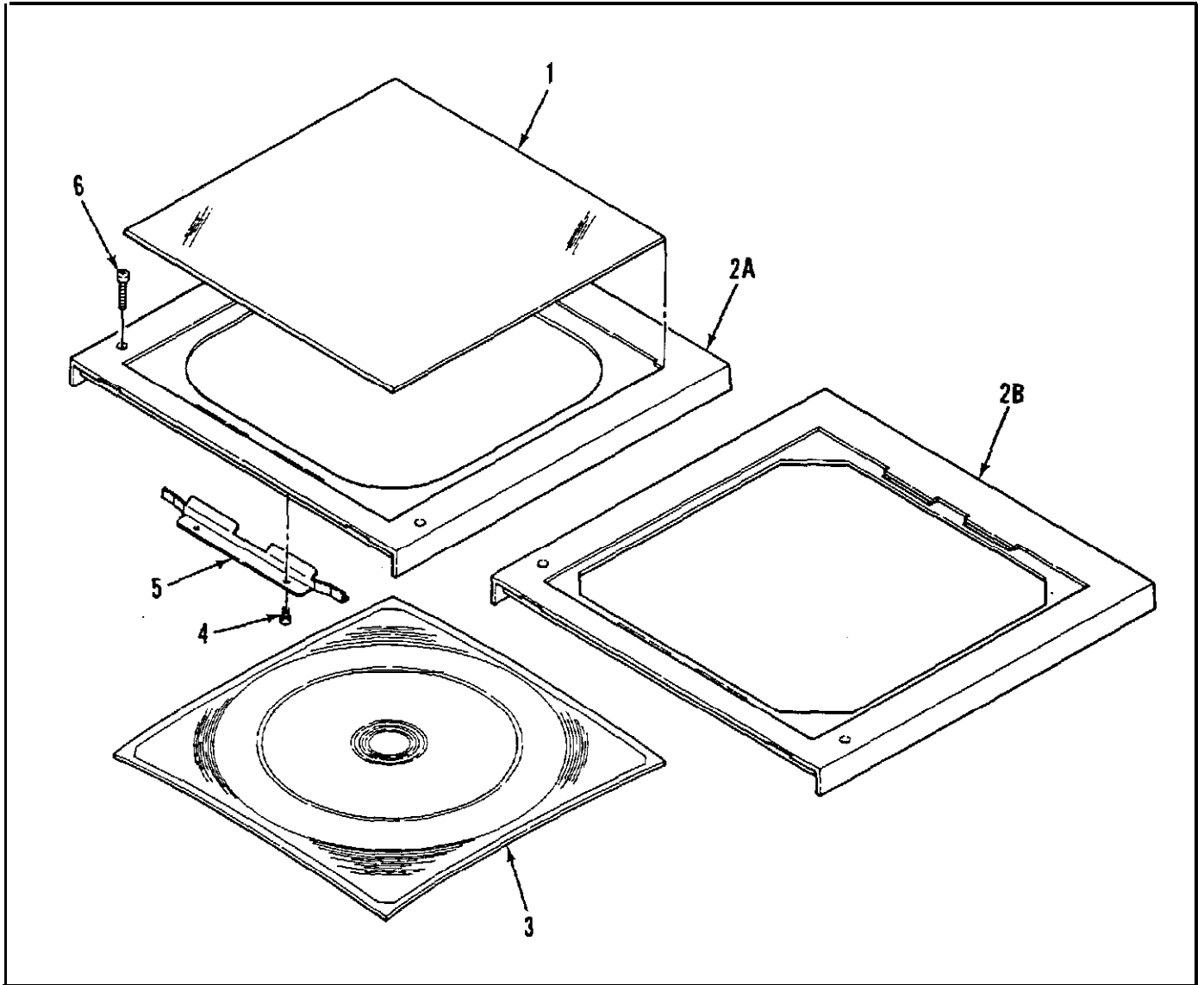


FIGURE 7-4 TOP COVER ASSEMBLY

Item Number	Part Number	Description	Qty. Req.	Used On
1	NOT USED			
2	78-8064-1515-0	ACTUATOR, Switch button	1	All
3	78-8064-1620-S	LABEL, 905	1	905
	78-8064-1659-6	LABEL, 905D	1	905D
	78-8064-1 835-2	LABEL, 905W	1	905W
	78-8064-1658-8	LABEL, 908 (Exterior Lamp Changer Knob)	1	908
	78-8073-7012-3	LABEL, 908 (Interior Lamp Changer Knob)	1	908
	78-8064-1621-6	LABEL, 910 (Exterior Lamp Changer Knob)	1	910
	78-8073-7013-Y	LABEL, 910 (Interior Lamp Changer Knob)	1	910
	78-8064-1 622-4	LABEL, 920 (Exterior Lamp Changer Knob)	1	920
	78-8073-7014-9	LABEL, 920 (Interior Lamp Changer Knob)	1	920
	78-8073-7210-3	LABEL, 955	1	955
4	78-8064-1418-7	COVER, Top (dual lamp) (Outside Lampchanger) (Med. Grey)	1	A/R
	78-8073-7229-3	COVER, Top (dual lamp) (Purple On/Off Switch) (Dark Grey)	1	955
	78-8064-1 41 0-4	COVER, Top (single lamp)(Inside Lamp Changer) (Med. Grey)	1	AIR
5	26-1007-5427-9	SCREW, Phil. pan hd., 6-19 x 3/8	4	All
6	78-8064-1498-9	SHIELD, Heat (lamp changer)	1	908, 910, 920
	78-8064-1629-9	SHIELD, Heat (single lamp)	1	905, 905D, 905W
7	26-1006-7603-5	CLIP, Speed, U-type	2	All
8	78-8064-1496-3	BUTTON, Switch (Red)	1	905, 908, 910, 920
	78-8073-7228-5	BUTTON, Switch (Purple)	1	955
9	78-8073-7263-2	ACTUATOR, interlock (955 -Outside U.S.)	1	955

When ordering colored parts, refer to the 3M Overhead Projector Color Chart 78-6970-4908-4

FIGURE 7-5 FRESNEL AND STAGE ASSEMBLY



Item Number	Part Number	Description	Qty. Req.
1	78-8064-1473-2	GLASS, Stage (905, 908, 910, 920)	1
	78-8073-7221-O	GLASS, Stage (955)	1
2A	78-8064-1529-1	HOLDER, Fresnel (small mask, 10.5") (905, 908, 910, 920) (Medium Grey)	1
	78-8073-7220-2	HOLDER, Fresnel (small mask, 10.5") (955) (Dark Grey)	1
2B	78-8064-1470-8	HOLDER, Fresnel (large mask, 11.2", A4) (Medium Grey)	1
3	78-8064-1 645-5	FRESNEL LENS (Models 905.908)	1
	78-6064-1 81 O-5	FRESNEL LENS (Models 910, 920, 955 & A4 stage size)	1
4	26-1002-6172-1	SCREW, Philips hd., M4.7 x 1.60 x 10	2
5	78-8064-1531-7	RETAINER, Stage glass	1
6	26-1002-3995-8	SCREW, Philips hd., M4 x 0.7 x 20	2

When ordering colored parts, refer to the 3M Overhead Projector Color Chart 78-6970-4908-4

FIGURE 7-6 BASE ASSEMBLY

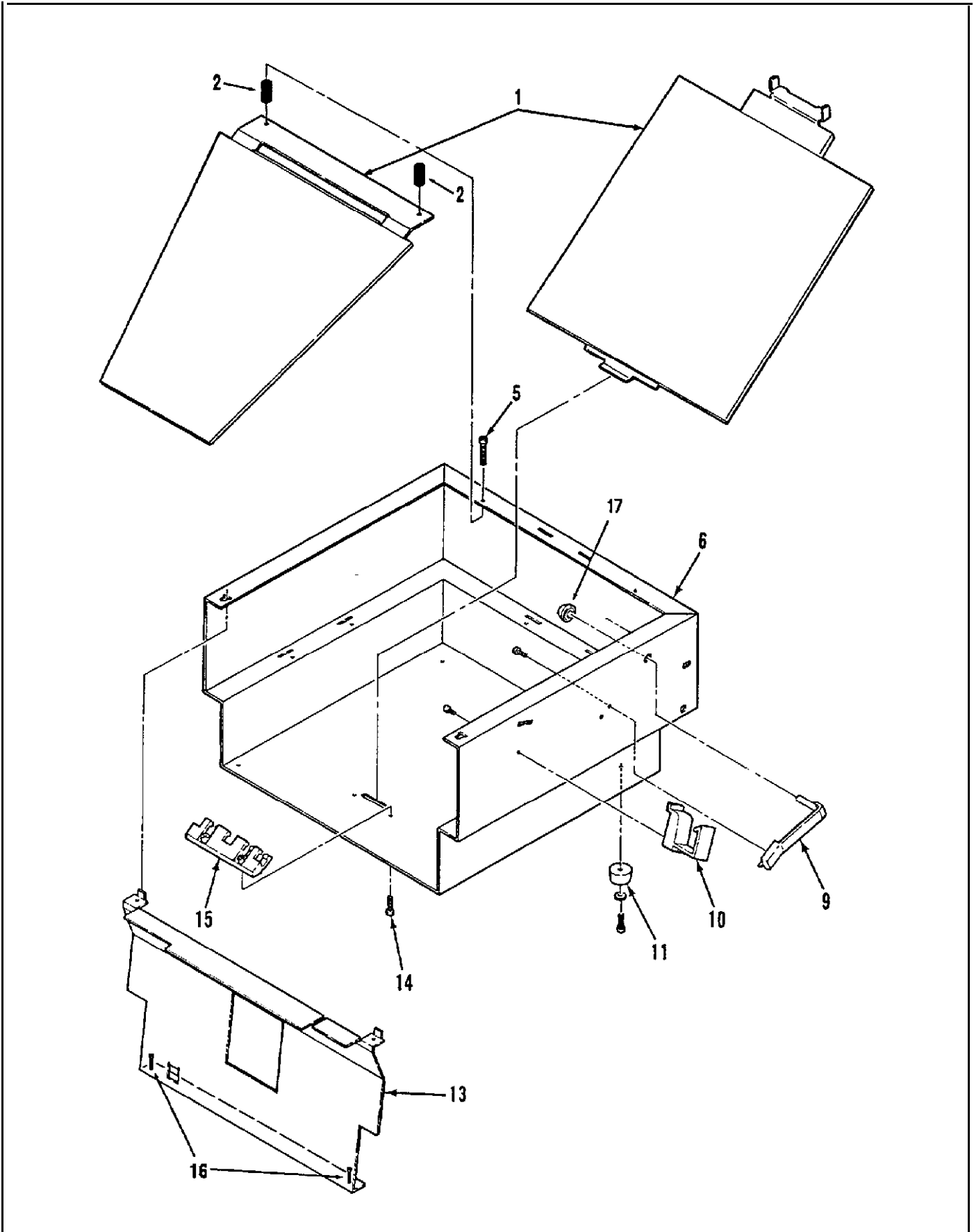


FIGURE 7-6 BASE ASSEMBLY

Item Number	Part Number	Description	Qty. Req.
1	78-8064-1788-3	MIRROR ASSEMBLY, Body (M900 before S/N 605302)	1
	78-8073-6954-7	MIRROR ASSEMBLY, Body (M900 After S/N 805302 and European-built M900 After S/N 9.000.001)	1
	78-8073-7252-5	MIRROR ASSEMBLY, Body (M955 only)	1
2	26-1008-3329-7	STAND OFF/SPACER	2
3	NOT USED		
4	NOT USED		
5	26-1002-6213-3	SCREW, M4 special	2
6	78-8064-1460-9	BASE (Charcoal Brown)	1
	78-8064-1864-2	BASE (Dark Grey)	1
	78-8073-7254-1	BASE ASSEMBLY, (M955 only - U.S. & Canada)	1
	78-8073-7289-7	BASE ASSEMBLY, (M955 only-Outside U.S. & Canada)	1
7	NOT USED		
8	NOT USED		
9	78-8064-1656-2	CATCH, Post	1
10	78-8064-1474-O	CRADLE, Post	1
11	26-1008-521 1-5"	FOOT	2
12	78-8073-6942-2	SCREW, Foot (rear)	2
13	78-8064-1 464-1	BAFFLE (M955 only - U.S. & Canada)	1
	78-8073-7288-9	BAFFLE, (M955 only -Outside U.S. & Canada)	1
14	26-1007-5427-9	SCREW, Phil. pan hd.. 6-19 x 3/8	4
15	78-8064-1518-4	HOLDER, Body mirror (Use with 78-8064-1788-3 Mirror Ass'y)	1
16	26-1002-4948-6	SCREW, 6-19 X 5/16, Plastite	2
17	26-1008-0070-O	NUT, Push-on, .250 dia.	1
18	78-8073-7306-9	PLATE, Baffle (Use with 78-8073-7288-g only)	1

* The old style Body Mirror Assembly (78-8064-1 788-3 will fit in the newer 900's (after S/N 805302, however the new style Body Mirror (78-8073-6954-7) will not fit in the 900s before S/N 805302.

** ALTERNATE: 78-6969-7794-7 FOOT KIT (4 feet and screws) 1

When ordering colored parts, refer to the 3M Overhead Projector Color Chart 78-6970-4908-4

FIGURE 7-7 LAMP HOUSING ASSEMBLY -SINGLE ENX LAMP - 905, 905D, 905W

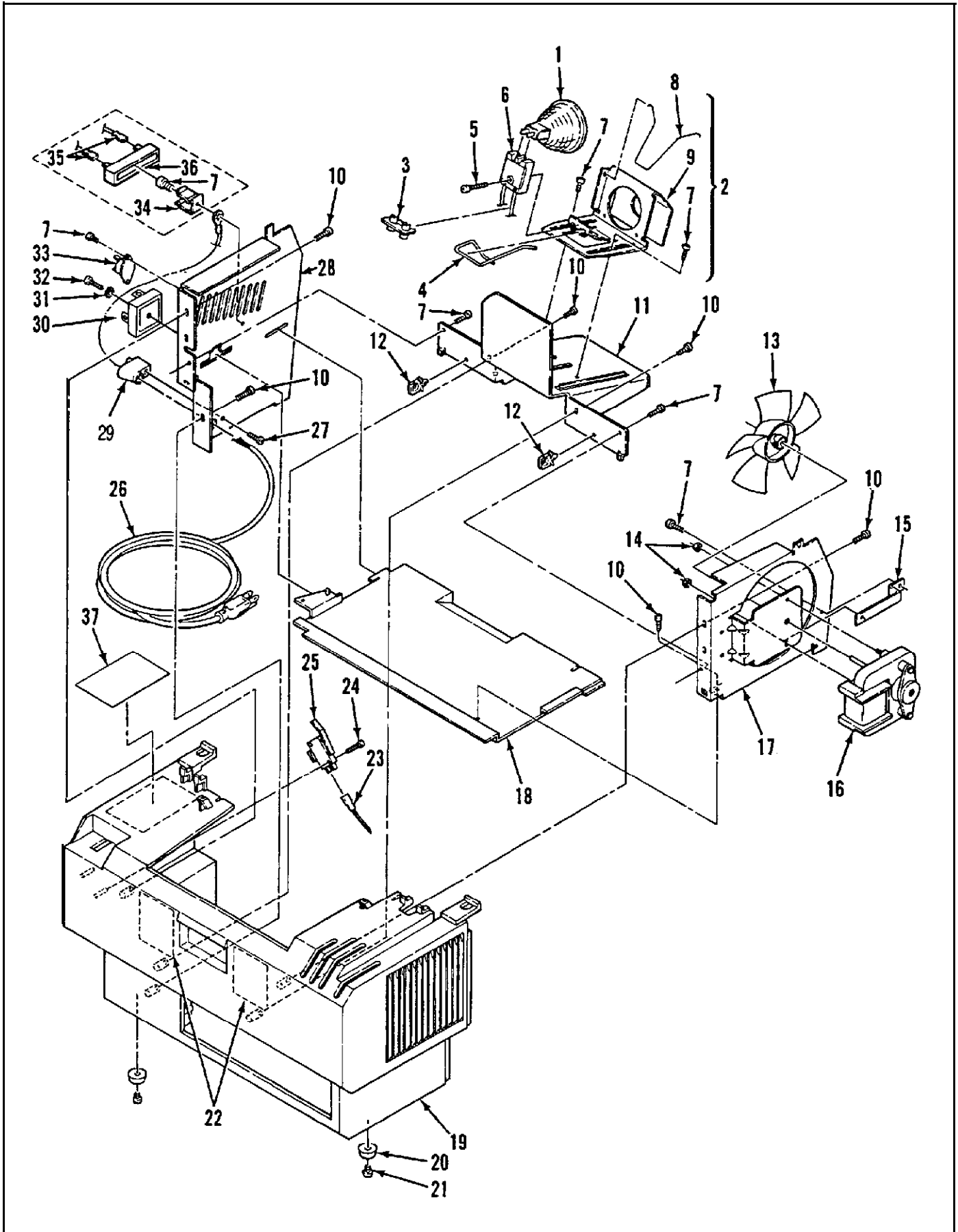


FIGURE 7-7 LAMP HOUSING ASSEMBLY - SINGLE ENX LAMP - 905, 905D, 905W

Item Number	Pan Number	Description	Qty. Req.
1	78-801 I-I 186-I	LAMP, ENX. 82V. 360W	1
2	78-8064-1417-9	LAMPHOLDER ASSEMBLY, Single (includes items 3-6 & 8, 9)	1
3	78-8064-1509-3	COVER, Wire	1
4	78-8064-1491-4	WIRE FORM, lampholder	1
5	26-1002-6207-5	SCREW, Philpanhd., M3 x .05 x 12	1
6	78-8073-6964-6	SOCKET, Lamp (single)	1
7	26-1007-1061-0	SCREW, Philpanhd., M3.5 x 0.06 x 10	8
8	78-8064-1510-1	SPRING, Retaining	1
9	78-8073-7208-7	LAMPHOLDER, Singlet 1.5" Aperture	1
10	26-1002-4948-6	SCREW, Philpanhd., 6-19 x 5/16	6
11	78-8064-1494-8	BRACKET, Lamp (single)	1
12	26-1005-4113-0	CLIP/CLAMP, Electrical	2
13	78-8064-1532-5	FAN	1
14	18-1728-1516-1	NUT, Hex machine, 6-32 x 1/4	2
15	78-8064-1604-2	BRACKET, Fan support	1
16	78-8064-1550-7	MOTOR, 120V	1
17	78-8064-1492-2	BRACKET, Fan	1
18	78-8064-I 866-7	SHELF, Lamp housing	1
19	78-8064-I 865-9	HOUSING, Lamp (Dark Grey)	1
	78-8064-I 469-0	HOUSING, Lamp (Charcoal Brown)	1
20	26-1008-5211-5*	FOOT	2
21	78-8073-6941-4	SCREW, Foot (front)	2
22	78-8064-I 655-4	SHIELD, Heat	2
23	78-8064-1624-0	JUMPER, Switch	1
24	26-1006-7884-1	SCREW, Phil. pan hd., 4-24 x 5/8	2
25	78-8064-1570-5	SWITCH, Micro (on/off)	1
26	78-8064-1536-6	POWER CORD, 10 ft.	1
27	26-1003-3716-6	SCREW, Philpanhd., 6-19 x 1	1
28	78-8064-1493-0	BRACKET, Cooling	1
29	DY-1160-2020-6	STRAIN RELIEF BUSHING	1
30	78-8073-6970-3	DIODE KIT (Kit includes Diode with screw)	1
31	26-1006-5033-7	WASHER, Lock, external tooth #8	1
32	26-1002-6213-3	SCREW, Philpanhd., M4 x 0.7 x 20	1
33	78-8064-1535-8	THERMOSTAT, Safety	1
34	78-8033-1666-6	CLIP, Tinnerman	1
35	78-8064-I 1708-I	JUMPER, Resistor	2
36	78-8011-I 198-6	RESISTOR	1
37	78-8064-1626-5	LABEL, Lamp replacement (ENX)	1
ITEM NOT SHOWN:			
	78-8003-8335-4	TIE WRAP, Panduit #SST 1.5	1
* ALTERNATE:	78-6969-7794-7	FOOT KIT (4 feet and screws)	1

When ordering colored parts, refer to the 3M Overhead Projector Color Chart 78-69704908-4

MODEL 900 OVERHEAD PROJECTOR

FIGURE 7-8 LAMP HOUSING ASSEMBLY - (DUAL ENX LAMP - 908, 910, 920 & DUAL FXL LAMP - 955)

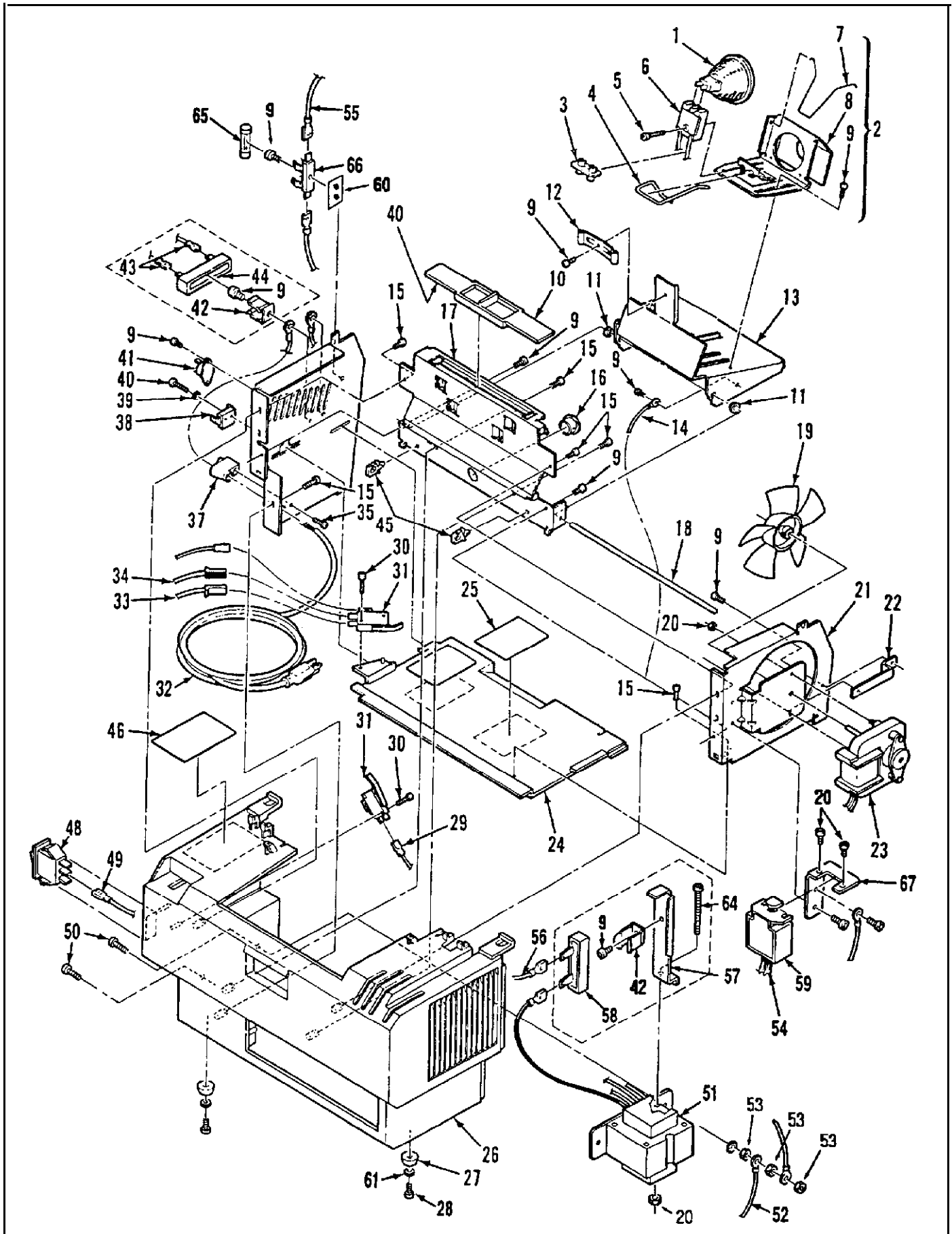


FIGURE 7-8 LAMP HOUSING ASSEMBLY • (DUAL ENX LAMP - 908, 910, 920 & DUAL FXL LAMP - 955)

Item Number	Part Number	Description	Qty. Req.
1	78-8011-1186-i	LAMP, ENX, 82V, 360W (908, 910, 920)	2
	78-8073-7100-6	LAMP, FXL, 82V, 410W (955)	2
2	78-8064-1456-7	LAMP HOLDER ASSEMBLY, Dual (incl. items 3-8) 908, 910, 920	2
3	78-8064-1509-3	COVER, Wire	2
4	78-8064-1491-4	WIREFORM, Lampholder	2
5	26-1002-6207-5	SCREW, Phil. pan hd., M3 x 0.5 x 12	2
6	78-8073-6956-2	SOCKET, Lamp (dual)	2
7	78-8064-1510-1	SPRING, Retaining	2
8	78-8073-7208-7	LAMPHOLDER, Dual	2
9	26-1007-1061-O	SCREW, Phil. pan hd., M3.5 x 0.06 x 10	13
10	78-8064-1589-5	KNOB, Lampchanger (knob outside of lop cover version)	1
	78-8073-7011-5	KNOB, Lampchanger (knob inside of top cover version - U.S.) (This change was made on U.S. Versions after S/N 869061)	1
11	78-8000-8621-3	BEARING, Plain, flanged cylindrical, nylon	2
12	78-8064-1597-8	SPRING, Detent	1
13	78-8064-1587-9	BRACKET, Dual lamp 908, 910, 920	1
	78-8073-7217-8	BRACKET, Dual lamp 955	1
14	78-8054-1577-1	JUMPER, Ground	1
15	26-1 002-4948-6	SCREW, Phil. pan hd., 6-19 x 5116	6
16	78-8000-8072-9	BUSHING, .625 Mtg hole, nylon, black-heyco	1
17	78-8064-1586-1	BRACKET, Lampchanger	1
18	78-8064-1598-6	SHAFT, Lampchanger	1
19	78-8064-1 532-5	FAN	1
20	18-1728-1516-1	NUT, Machine screw, hex 6-32 x 1/4	2
21	78-8064-1 492-2	BRACKET, Fan	1
22	78-8064-1 604-2	BRACKET, Fan Support	1
23	78-8064-1550-7	MOTOR, 120V	1
	78-8064-1551-5	MOTOR, 230/240V	1
24	78-8064-1866-7	SHELF, Lamp housing	1
25	78-8064-1655-4	SHIELD, Heat	2
	78-8064-1865-9	HOUSING, Lamp (Dark Grey)	1
26	78-8064-1469-O	HOUSING, Lamp (Charcoal Brown)	1
	78-8073-7206-1	HOUSING, Lamp (Model 955 sold in U.S. & Canada)	1
	78-8073-7278-0	HOUSING & FOOT, Lamp (Model 955 sold outside U.S.&Canada)	1
27	26-1008-5211-5	FOOT	2
28	78-8073-6941-4	SCREW, Foot (front)	2
29	78-8064-1 624-O	JUMPER, Switch	2
30	26-1 006-7884-1	SCREW, Phil. pan hd., 4-24 x 5/8	4
31	78-8064-1570-5	SWITCH, Micro (on/off & lampchanger)	2
32	78-8064-1500-2	POWER CORD (U.S. and Canada)	1
	78-8073-7272-3	POWER CORD (United Kingdom - Model 955 only)	1
	78-8073-7273-1	POWER CORD European-Model 955 only)	1
	78-8073-7274-9	POWER CORD (Australia - Model 955 only)	1
	78-8073-7275-6	POWER CORD (New Zealand - Model 955 only)	1

Continued

- ALTERNATE: 78-6969-7794-7 FOOT KIT (4 feet and screws) 1
- When ordering colored parts, refer to the 3M Overhead Projector Color Chan 78-6970-4908-4

MODEL 900 OVERHEAD PROJECTOR

FIGURE 7-8 LAMP HOUSING ASSEMBLY - (DUAL ENX LAMP - 908, 910, 920 & DUAL FXL LAMP - 955) (Cont.)

Item Number	Part Number	Description	Qty. Req.
32	78-8073-7276-4	POWER CORD (Hong Kong - Model 955 only)	1
	78-8073-7272-3	POWER CORD (without plug - Model 955 only)	1
	78-8073-7271-5	POWER CORD (Phillipines - Model 955 only)	1
	78-8073-7304-4	POWER CORD (South Africa - Model 955 only)	1
33	26 -1005-6802-6	HOUSING, 1 Position receptacle, natural nylon	1
34	26-1006-3610-4	HOUSING , 1 Position receptacle, black nylon	1
35	26-I 003-3716-6	SCREW, Philpanhd.. 6-19 x 1	1
36	78-8064-1493-o	BRACKET, Cooling 908, 910, 920	1
	78-8073-7260-8	BRACKET, Cooling 955 (U.S. & Canada versions)	1
	78-8073-7303-6	BRACKET, Cooling 955 (Sold outside U.S. & Canada)	1
37	DY-I 160-2020-6	STRAIN RELIEF BUSHING	1
38	78-8064-1891-5	DIODE	1
39	26-I 006-5053-5	WASHER, Lock, external tooth #8	1
40	26-1002-6213-3	SCREW, phil. pan hd., M4 x 0.7 x 20	1
41	78-8064-1535-8	THERMOSTAT, Safety	1
42	78-8033-1666-6	CLIP, Tinnerman	1
43	78-8064-1708-I	JUMPER, Resistor	1
44	78-8011-1198-6	RESISTOR	1
45	26-I 008-0231-8	CLIP/CLAMP, Electrical	2
46	78-8064-1626-5	LABEL, Lamp replacement (ENX)	1
	78-8073-6953-9	LABEL, Lamp replacement (FXL)(955)	1
47	78-8064-1771-9	HEAT SHIELD	2
48	78-8073-7212-g	SWITCH, High/Low (955 only)	1
49	78-8064-1624-o	JUMPER, Switch (955 only)	1
50	26-1002-5277-9	SCREW, Philpanhd., 8-32 x 3/8 Lg (955 only)	2
51	78-8073-7205-3	TRANSFORMER (955 only - 120V input)	1
	78-8073-6958-8	TRANSFORMER (955 only - 230/240V input)	1
	78-8073-7280-6	TRANSFORMER (955 only - 200V input)	1
52	78-8054-1485-7	GROUND, Transformer (955 only)	1
53	26-1005-7751-4	NUT, Hex, reg , 8-32 (955 only)	1
54	78-8073-7287-I	JUMPER, Interlock (if equipped) to Thermostat (Model 955 O.U.S.)	1
55	78-8073-7286-3	JUMPER, Interlock to Fuse (if equipped) (Model 955 O.U.S.)	1
56	78-8073-7285-5	JUMPER, Resister (Model 955 only - U.S. & Canada)	1
57	78-8073-7282-2	BRACKET, Resister (Model 955 only - U.S. & Canada)	1
58	78-8073-7281-4	RESISTOR, 0.5 Ohm (Model 955 only - U.S. & Canada)	1
59	78-8015-5038-I	SWITCH, Interlock (M955 - outside U.S. & Canada)	1
60	78-8073-7262-4	INSULATOR, fuse block (M955 - outside US. & Canada)	1
61	12-7991-1737-4	WASHER, .187 ID x .437 OD x .046 Thk (M955 - Use with Foot)	2
	NOT USED		
63	26-1002-5092-2	SCREW, 6-32 x 3/8 Lg (Model 955 only - U.S. & Canada)	1
64	78-8073-7285-5	SCREW, 6-32 x 1 1/2 Lg (Model 955 only - U.S. & Canada)	1
65	26-1005-9599-5	FUSE, (Model 955 only - Outside U.S. & Canada)	1
66	26-1005-6624-4	FUSE HOLDER (Model 955 only - Outside U.S. & Canada)	1
67	78-8073-7261-6	BRACKET, Actuator sw b h	1
Not shown:	78-8003-8335-4	TIE WRAP, Panduit #SST I.5	2

When ordering colored parts, refer to the 3M Overhead Projector Color Chart **78-6970-4908-4**

MODEL 900 OVERHEAD PROJECTOR

FIGURE 7-9 LAMP HOUSING ASSEMBLY - FNT SINGLE AND DUAL LAMP

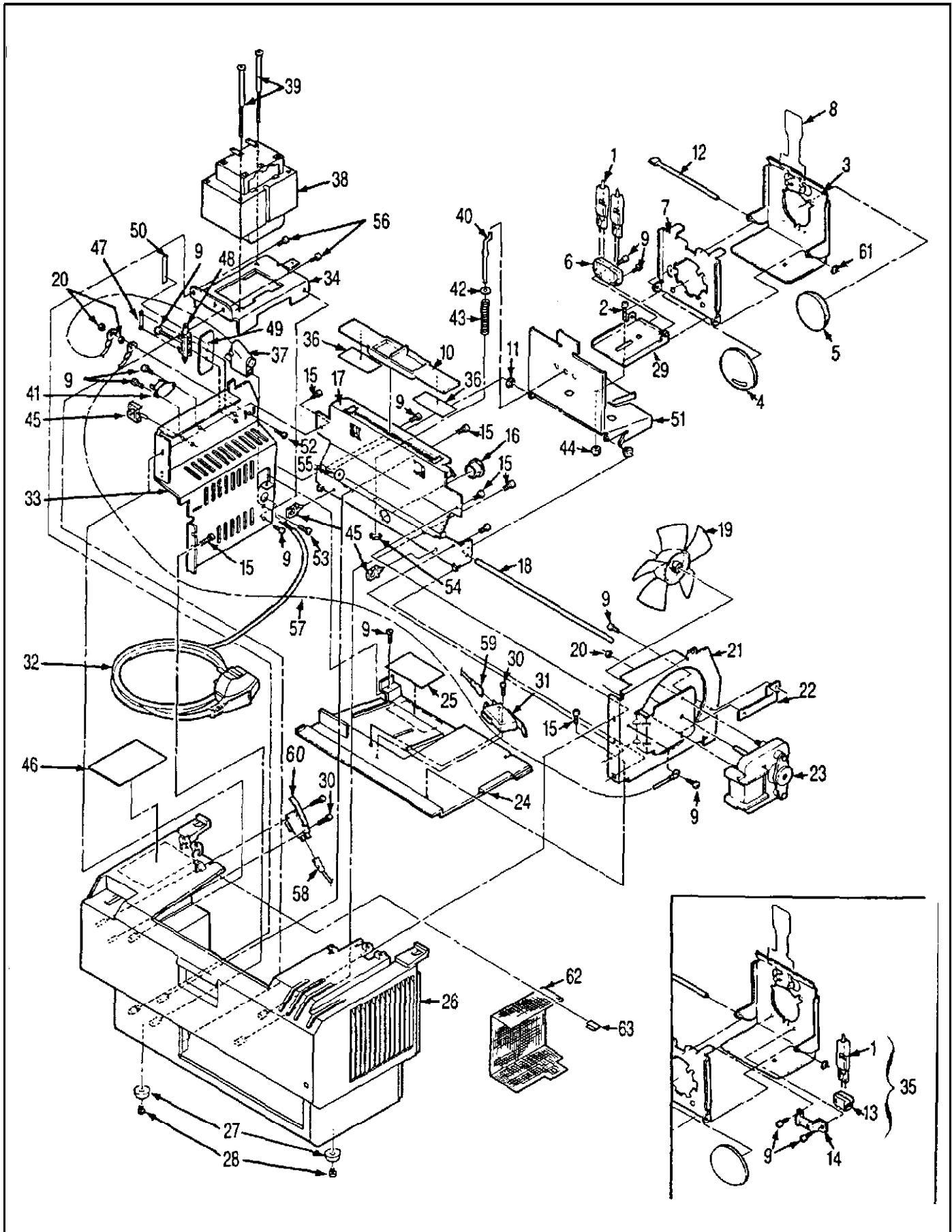


FIGURE 7-9 LAMP HOUSING ASSEMBLY - FNT SINGLE AND DUAL LAMP

Item Number	Part Number	Description	Qty. Req.
1	78-8054-1175-4	LAMP, FNT - 24 Volt, 275 Watts	1
	DY-8054-1175-7	LAMP, FNT - 24 Volt, 275 Watts (European order number)	1
2	26-1002-5215-9	SCREW, Machine, 6/32x 5/16	1
3	78-8064-1614-1	BRACKET, Lens (FNT)	1
	78-8073-6984-4	BRACKET, Lens (FNT) (For U.K. School Versions)	1
4	78-8054-1073-1	REFLECTOR	1
	DY-8054-1073-4	REFLECTOR (European order number)	1
5	78-8073-7010-7	LENS, Condenser	1
6	78-8064-1707-3	SOCKET, Dual (FNT)	1
7	78-8064-1616-6	HOLDER, Reflector (FNT)	1
8	78-8064-1651-3	SPRING, Catch	1
9	26-1007-1061-0	SCREW, Phil., Pan hd, m3.5 x .06 x 10	12
10	78-8064-1589-5	KNOB, Lampchanoer	1
11	78-8000-8621-3	BEARING, Plain, Flanged Cylindrical, Nylon	2
12	78-8064-1652-1	SHAFT, Lamp (FNT)	1
13	78-8064-1574-7	SOCKET, Single Lamp (FNT)	1
14	78-8064-1717-2	BRACKET, Lamp Socket	1
15	26-1002-4948-6	SCREW, Phil Pan hd, 6-19x5/16	8
16	26-1001-8006-1	PLUG, Single Lamp Holder	1
	78-8003-8731-4	BUSHING, Dual Lamp Holder	1
17	78-8064-1586-1	BRACKET, Lampchanger	1
18	78-8064-1598-6	SHAFT, Lampchanger	1
19	78-8064-1532-5	FAN	1
20	18-1728-1516-1	NUT, Machine Screw, Hex 6-32x 1/4	2
21	78-8064-1492-2	BRACKET, Fan	1
22	78-8064-1604-2	BRACKET, Fan Support	1
23	78-8064-1571-3	MOTOR, 100 Volt	1
	78-8064-1550-7	MOTOR, 120Volt	1
	78-8064-1551-5	MOTOR, 230 Volt	1
24	78-8064-1606-7	SHELF, Lamp Housing (FNT) (Before Serial Number 724815)	1
	78-8064-1 867-5	SHELF, Lamp Housing (FNT) (After Serial Number 724815)	1
25	78-8064-1 655-4	SHIELD, Heat	2
26	78-8064-1865-9	HOUSING, Lamp (Dark Grey)	1
	78-8064-1 469-0	HOUSING, Lamp (Charcoal Brown)	1
27	26-1008-5211-5	FOOT	2
28	78-8073-6941-4	SCREW, Foot (front)	2
29	78-8064-1647-1	HOLDER, Slide	1
30	26-1006-7884-1	SCREW, Phil Pan hd, 4-24 x 5/8	3
31	78-8064-1570-5	SWITCH, Micro (on/off & lampchanger)	2
32	78-8064-1537-4	POWER CORD, European 15 Ft.	1
	78-8064-1538-2	POWER CORD, European 10 Ft.	1
	78-8064-1539-0	POWER CORD, U.K. 15 Ft.	1
	78-8064-1540-8	POWER CORD, U.K. 10 Ft.	1
	78-8064-1541-6	POWER CORD, Australian 15 Ft.	1

Continued

* ALTERNATE: 78-6969-7794-7 FOOT KIT (4feet and screws) 1

When ordering colored parts, refer to the 3M Overhead Projector **Color Chart 78-6970-4908-4**

MODEL 900 OVERHEAD PROJECTOR

FIGURE 7-9 LAMP HOUSING ASSEMBLY • FNT SINGLE AND DUAL LAMP (Cont.)

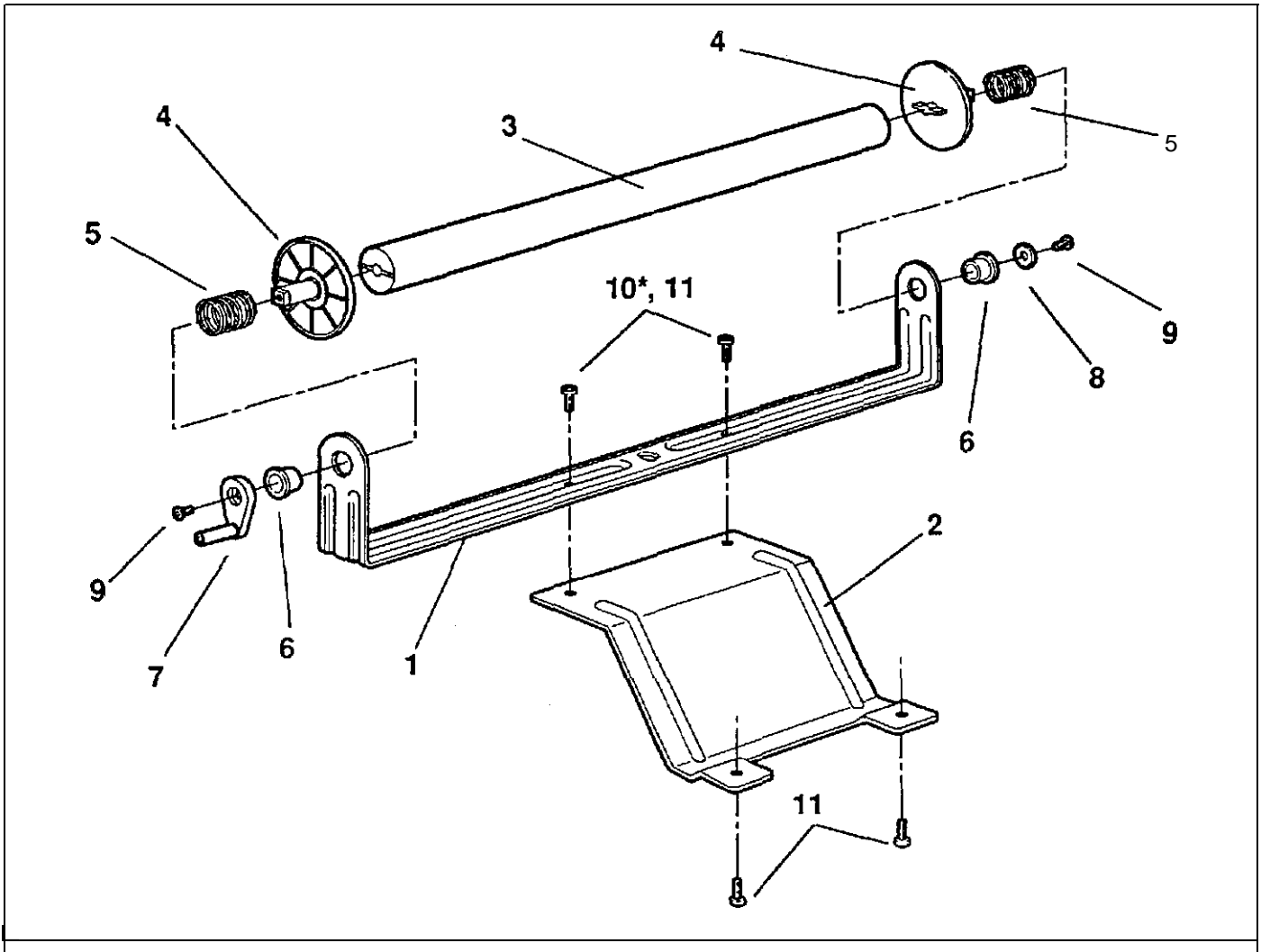
Item Number	Part Number	Description	Qty. Req.
32 (Cont)	78-8064-1542-4	POWER CORD, Australian 10 Ft.	1
	78-8064-1816-2	POWER CORD, 10 Ft. International (120 V)	1
	78-8064-1817-0	POWER CORD, 15 Ft. International (120V)	1
	78-8064-1812-1	POWER CORD, Japan 15 Ft.	1
	78-8064-1813-9	POWER CORD, Japan 10 Ft.	1
	78-8064-1543-2	POWER CORD, Swiss 15 Ft.	1
	78-8064-1544-0	POWER CORD, Swiss 10 Ft.	1
	78-8064-1630-7	POWER CORD, New Zealand 15 Ft.	1
	78-8064-1631-5	POWER CORD, New Zealand 10 Ft.	1
	78-8064-1632-3	POWER CORD, South Africa 15 Ft.	1
	78-8064-1633-i	POWER CORD, South Africa 10Ft.	1
	78-8064-1634-9	POWER CORD, Hong Kong 15 Ft.	1
	78-8064-1635-6	POWER CORD, Hong Kong 10 Ft.	1
33	78-8064-1607-5	BRACKET, Cooling	1
34	78-8064-1610-9	BRACKET, Transformer	1
35	78-8064-1706-5	SINGLE LAMP ASSEMBLY (FNT)	1
	78-8073-6995-o	SINGLE LAMP ASSEMBLY (FNT) (For U.K. School Versions)	1
36	78-8064-1771-9	HEAT SHIELD, Lamo Chanaer Knob	2
37	DY-1160-2020-6	STRAIN RELIEF BUSHING	1
38	78-8064-1711-5	TRANSFORMER, 100V	1
	78-8064-1815-4	TRANSFORMER, 120V	1
	78-8073-6998-4	TRANSFORMER, 220V (European from S/N 9.000.001)	1
	78-8073-6966-i	TRANSFORMER, 230V	1
	78-8064-1573-g	TRANSFORMER, 240V	1
	78-8073-6999-2	TRANSFORMER, 240V [European from S/N 9.000.001	1
39	26-1 005-0524-2	SCREW, Thrd and hd.	2
40	78-8064-1762-8	WIREFORM, Over center	1
41	78-8064-1765-1	THERMOSTAT, Safety	1
42	12-7991-1735-a	WASHER, Plain, Type A	1
43	26-1003-6487-1	SPRING, Compression	1
44	26-1005-8589-7	NUT, X-Cap Acorn	1
45	26-1005-4113-0	CLIP/CLAMP, Electrical	3
46	78-8064-1710-7	LABEL, Lamp Replacement (FNT)	1
47	26-1005-9599-5	FUSE, Cartridge, 5 Amp	1
48	26-1005-6624-4	FUSE HOLDER, 1 OA, 250V	1
49	78-8064-1 766-9	FUSE INSULATOR	1
50	78-8057-4184-6	LABEL, Fuse Holder	1
	78-8073-6982-8	LABEL, Fuse Replacement (For U.K. School Versions)	1
51	78-8064-1615-8	BRACKET, Slide (FNT)	1
52	26-1009-4893-9	SCREW, Machine, 6/32	2
53	26-1003-3716-6	SCREW, Thrd Form	1
54	12-7991-1309-2	RETAINING RING	1
55	78-8656-4093-8	RETAINING RING	1
56	26-1007-5427-9	SCREW, Thrd Form, 6-1 9	3
57	78-8064-1792-5	GROUND LEAD	1
58	78-8064-i 708-i	JUMPER, Switch to Fuse Holder	1

(Continued)

FIGURE 7-9 LAMP HOUSING ASSEMBLY - FNT SINGLE AND DUAL LAMP (Cont.)

Item Number	Part Number	Description	Qty. Req.
59	78-8064-1709-9	JUMPER, Lamp Changer	1
60	78-8064-1790-9	SWITCH, International	1
	78-8073-6986-9	SWITCH, (For U.K. School Versions)	1
61	78-8656-5801-3	PUSH-ON-RING	1
62	78-8073-6983-6	SCREEN, Lamp Housing (For U.K. School Versions)	1
63	78-8073-6986-9	CLIP, U-Type	1
64	12-7991-1506-3	NUT, 5/16	1
Not Shown:	78-8073-6986-9	SLEEVE, Actuator (For U.K. School Versions)	1

FIGURE 7-10 ROLLER ATTACHMENT



Item Number	Part Number	Description	Qty. Req.
1	78-8064-1794-1	BRACKET ASSEMBLY - Roller 10 1/4"	2
	78-8064-1808-9	BRACKET ASSEMBLY - Roller 11 1/4" (A4)	2
2	78-8064-1582-0	BRACE, Roller (one only is used for front to rear installation)	2
3	78-8052-8348-4	TAKE-UP ROLL 10 1/4"	1
	78-8052-8347-6	TAKE-UP ROLL 11 1/4" (A4)	1
4	78-8064-1801-4	DRIVER SPINDLE	4
5	78-8015-2206-7	SPRING	4
6	78-8161-4222-4	BEARING	4
7	78-8064-1802-2	CRANK	2
8	12-799 1- 1737-4	WASHER, Plain, No. 8, Zinc Plate	2
9	26-1002-5091-4	SCREW, Taptite Pan HD Phillips 6-32 x 1/4L	4
10	26-1007-5427-9*	SCREW, Plastic Pan HD Phillips 6-19 x 3/8L	2
11	26-1005-7800-9	SCREW, Metric THD Form Pan HD Phillips M-3.5 x 0.6 x 8L, Taptite	8

*To be used when the second bracket is used for a side-to-side installation