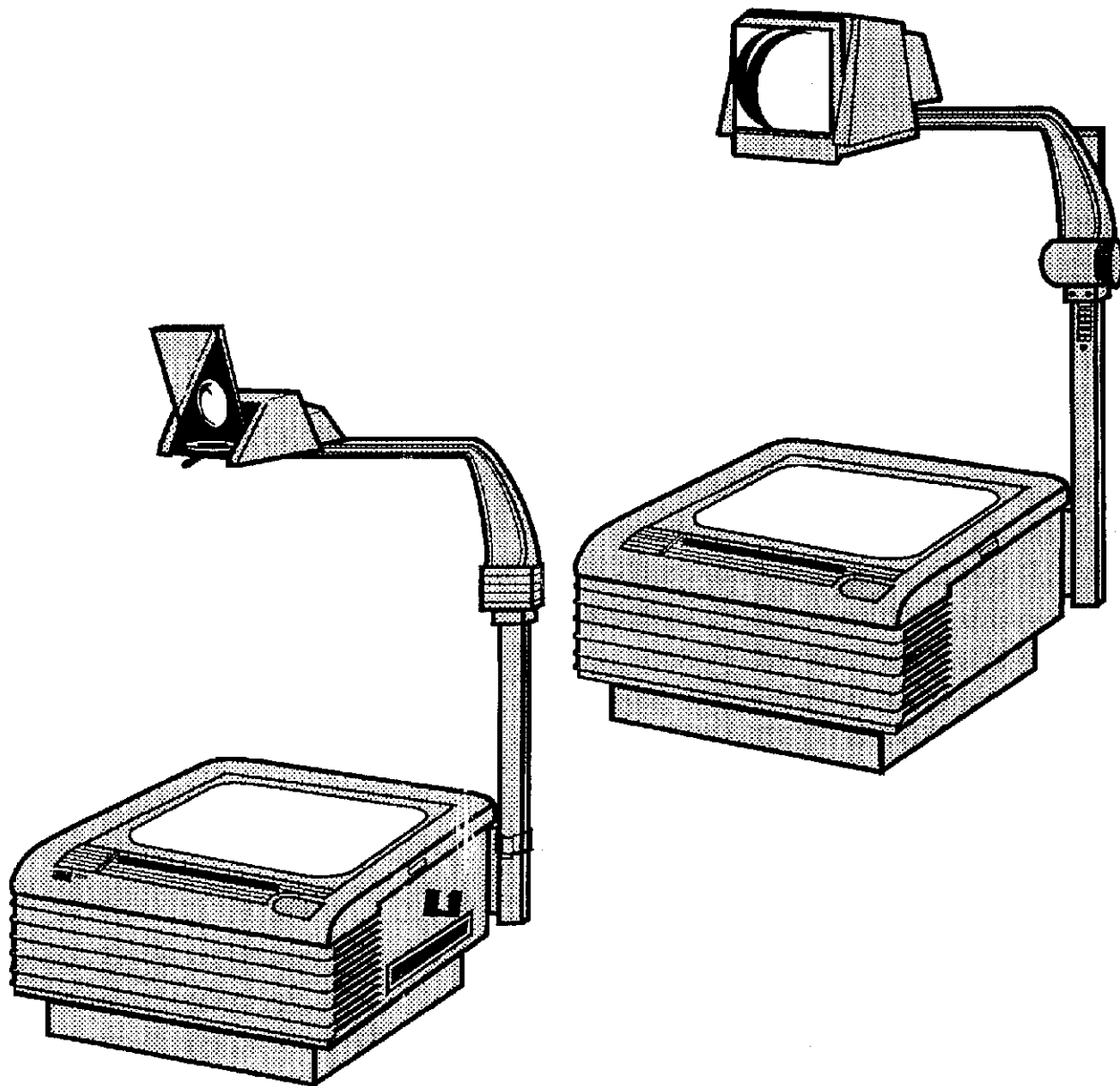


3M 9000 Series Overhead Projector

Illustrated Parts Breakdown

*For: 9050 9060 9070 9080
9100 9200 9550*



3M Visual Systems Division

6801 River Place Boulevard
Austin, Texas 78726-9000

Printed in U.S.A.

© 3M 1994 78-6970-4919-1/B

Introduction

This Illustrated Parts Breakdown (IPB) contains the information necessary to locate and identify specific parts of the 9000 Series Overhead Projectors.

Part Numbers

All components available on a replacement basis are listed with their 3M identification number. The parts identification list opposite each illustration provides the description adequate to identify components.

Locating and Identifying a Part

If physical appearance and general location of an item are known:

1. Use the Overview illustration to determine which section includes the item.
2. Refer to the section and locate the item on the exploded view illustration.

The part identification numbers provided in this manual are from the most current data available. Make sure part identification numbers for your component have not been amended by changes and updates made to your Series 9000 Overhead Projector.

Machine Identification Plate

The Machine Identification Plate is located on the bottom side of each projector and lists specific information that is needed when calling for technical assistance or ordering parts.

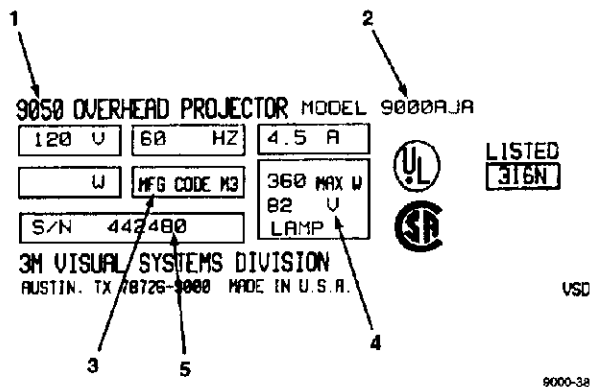


Figure 1-1. Machine Identification Plate

When ordering parts, include part identification number, description, quantity and the following information:

1. **Product Name:** The specific version number of the projector.
2. **Model Number/Alpha Code:** The series number of the projector followed by a three or four character alpha code identifier. The Alpha Code indicates the design level, specific product characteristics, power cord or distribution specific to a country. A three character alpha code indicates this distribution is only for USA and Canadian distribution.
3. **MFG Code:** The date the projector was manufactured. See example below:

MFG Code			
Letter		Digit	
K	1991	1	Jan – Mar
L	1992	2	Apr – Jun
M	1993	3	Jul – Sep
A	1994	4	Oct – Dec

4. **Lamp:** The electrical rating of the lamp.
5. **S/N:** The serial number assigned to this projector.

For part orders contact:

Dealers:	Refer to Dealers Guide
3M Subsidiaries:	Contact Export Operations
Retail Customers:	
FAX:	1-800-852-3917
Telephone:	1-800-328-2883

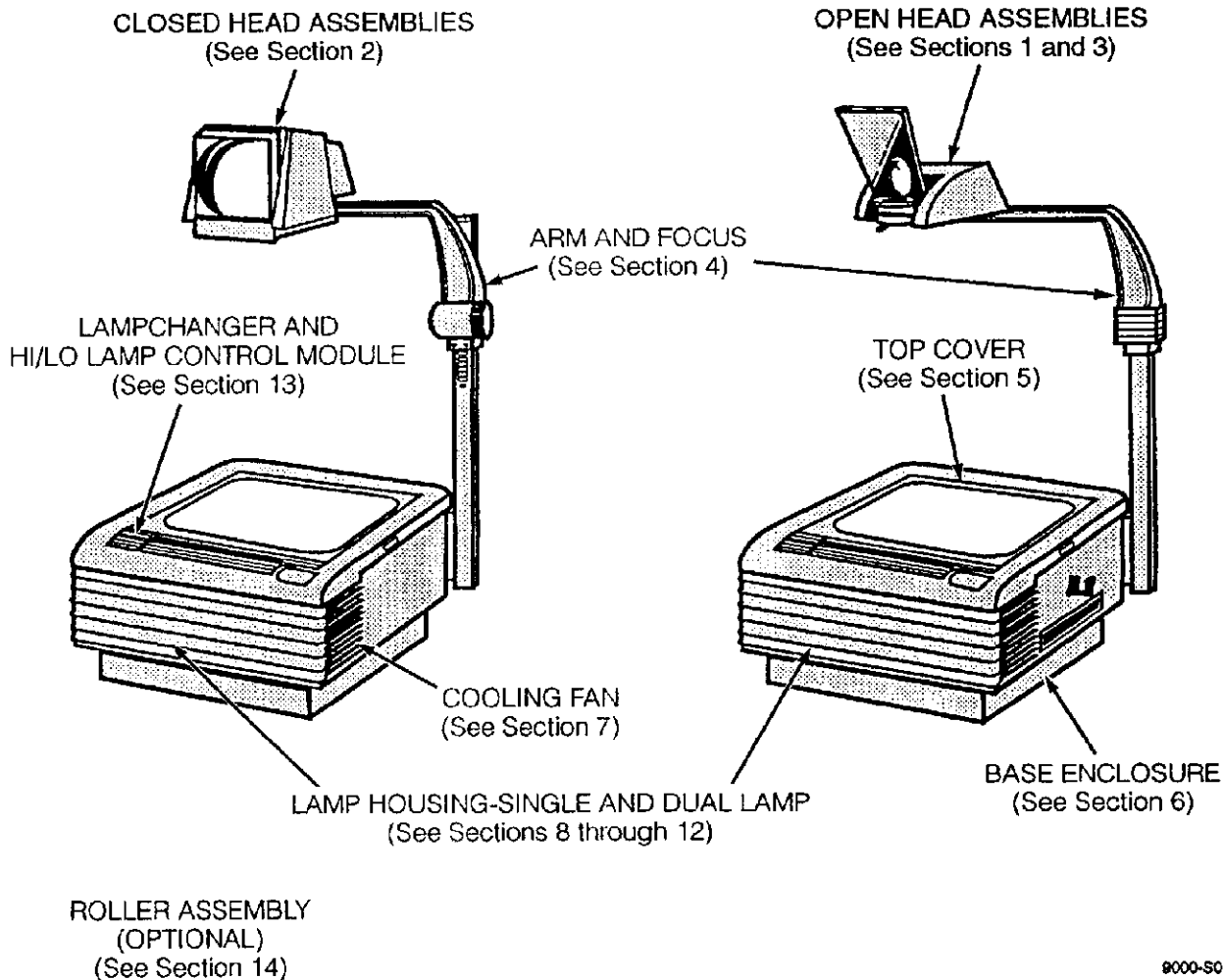
Table of Contents

Section No.	Title	Page
0	Overview	3
1	Wide Angle (Open) 293 mm Head Assembly	5
2	Articulate (Closed) Head Assemblies	7
3	Triplet and Varifocal (Open) Head Assemblies	9
4	Arm and Focus Assembly	11
5	Top Cover	13
6	Base Enclosure	15
7	Cooling Fan	19
8	Lamp Housing – ENX Single Lamp	21
9	Lamp Housing – ENX/FXL Dual Lamp	23
10	Lamp Housing – M9550 – EVD Dual Lamp	25
11	Lamp Housing – FNT Single Lamp	27
12	Lamp Housing – FNT Dual Lamp	29
13	Lampchanger & Hi/Lo Lamp Control Module (All Dual Lamp Versions)	31
14	Roller Assembly	33
15	Wire Jumpers	35
Appendix A	Specifications	37

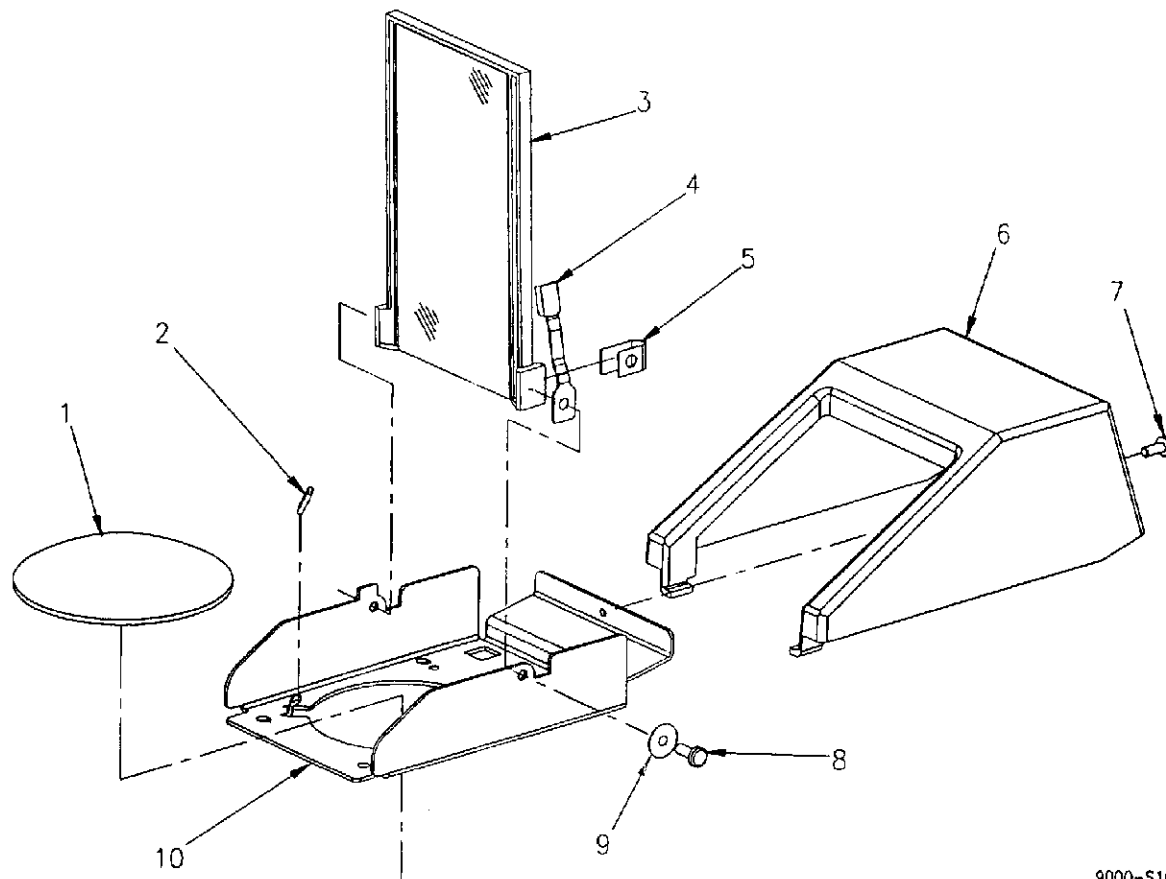
IMPORTANT NOTICE

**3M reserves the right to sell or furnish NEW OR RECONDITIONED PARTS.
New and reconditioned parts are covered by the same 3M new parts limited warranty.**

**Section 0
OVERVIEW**



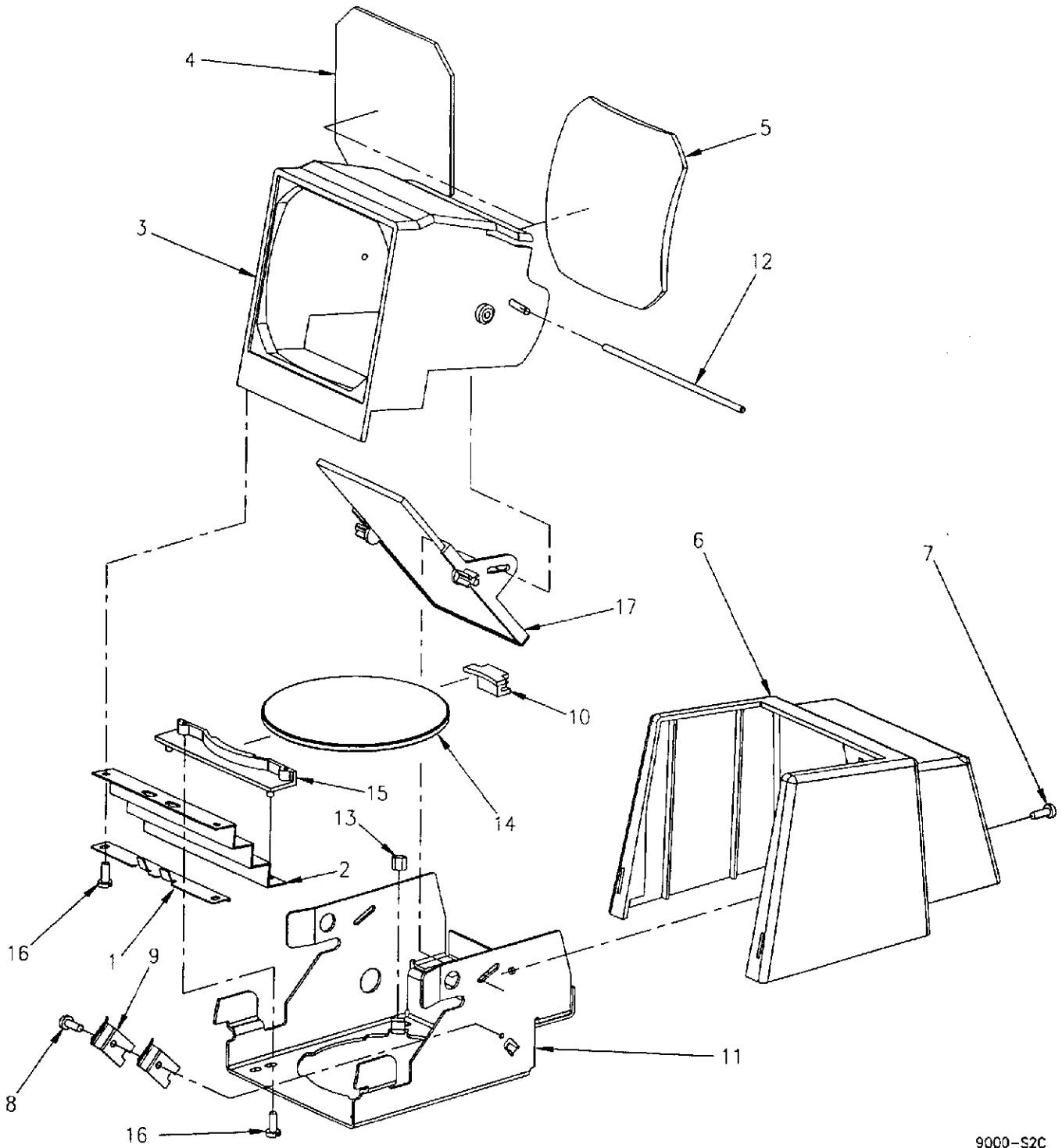
**Section 1
WIDE ANGLE (OPEN) 293 mm HEAD ASSEMBLY**



Section 1
WIDE ANGLE (OPEN) 293 mm HEAD ASSEMBLY

Item No.	Part Number	Description	Qty
0	78-8079-9151-4	HEAD ASSEMBLY, Wide Angle (Open), 293 mm Singlet	3
1	78-8014-8951-5	LENS, Wide Angle (293 mm)	1
2	78-8064-1646-3	TUBING, Lens	3
3	78-8057-4230-7	MIRROR ASSEMBLY (Open Singlet)	1
4	78-8064-1605-9	SPRING, Mirror Damping (Used on M9050 and M9080, except M9080AJD)	1
5	78-8003-9762-8	NUT, U-Type, 8-32	1
6	78-8079-8802-3	COVER, Head, Singlet	1
7	26-1008-5592-8	SCREW, Taptite, M3.5 x 8	1
8	26-1005-9570-5	SCREW, Mach. 8-32 x 7/16	1
9	26-1004-0460-2	WASHER, Plain Nylon	1
10	78-8079-8803-1	BRACKET, Lens, Singlet	1

Section 2
ARTICULATE (CLOSED) HEAD ASSEMBLIES

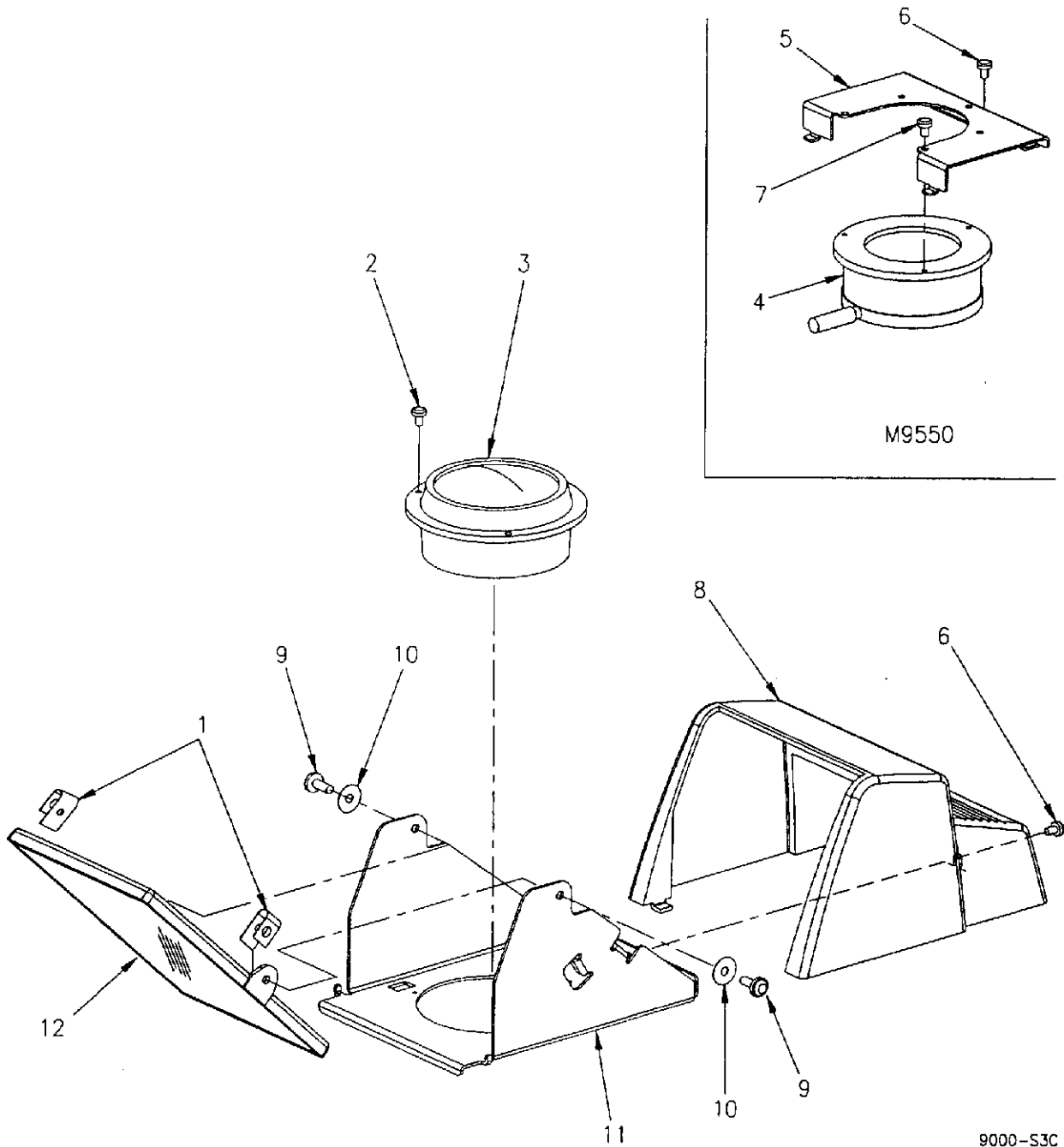


9000-S2C

Section 2
ARTICULATE (CLOSED) HEAD ASSEMBLIES

Item No.	Part Number	Description	Qty
0A	78-8079-9152-2	HEAD ASSEMBLY, Articulate (Closed), 293 mm Singlet, Wide Angle	1
0B	78-8079-9153-0	HEAD ASSEMBLY, Articulate (Closed), 355 mm Doublet	1
1	78-8064-1602-6	CLAMP, Dust Shield and Lens	1
2	78-8064-1797-4	SHIELD, Dust (short)	1
3	78-8064-1562-2	HOUSING, Exit Lens	1
4	78-8064-1650-5	GLASS, Exit, Articulate (293 mm Singlet Head)	1
5	78-8014-8812-9	LENS, Exit, Articulate (355 mm Doublet Head)	1
6	78-8079-8805-6	COVER, Head, Doublet	1
7	26-1008-5592-8	SCREW, Taptite, M3.5 x 8	1
8	26-1004-9300-1	SCREW, Taptite, M3 x 6	1
9	78-8014-8817-8	SPRING, Tension	1
10	78-8064-1643-0	MOUNT, Lens (293 mm Singlet Wide Angle)	1
11	78-8079-8804-9	BRACKET, Lens, Doublet	1
12	78-8011-1445-1	PIVOT	1
13	78-8064-1646-3	TUBING, Lens	2
14A	78-8014-8951-5	LENS, Wide Angle (293 mm)	1
14B	78-8011-1440-2	LENS, Meniscus (355 mm)	1
15A	78-8064-1595-2	CLAMP, Lens (355 mm Doublet Head)	1
15B	78-8064-1596-0	CLAMP, Lens (293 mm Singlet Head)	1
16	26-1002-4966-8	SCREW, Plastite, 4-20 x 1/4	2
17	78-8064-1457-5	MIRROR ASSEMBLY (Doublet)	1

Section 3
TRIPLET & VARIFOCAL (OPEN) HEAD ASSEMBLIES



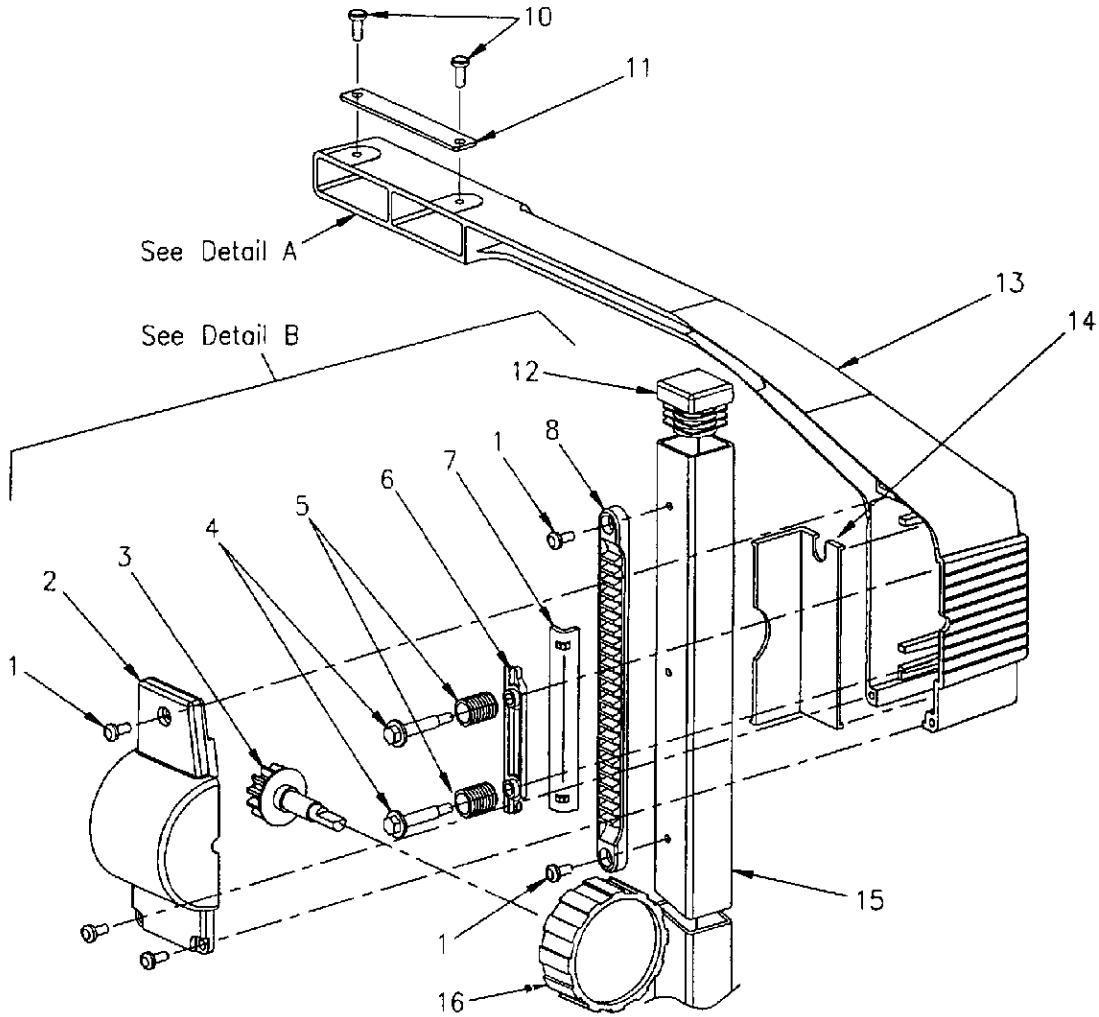
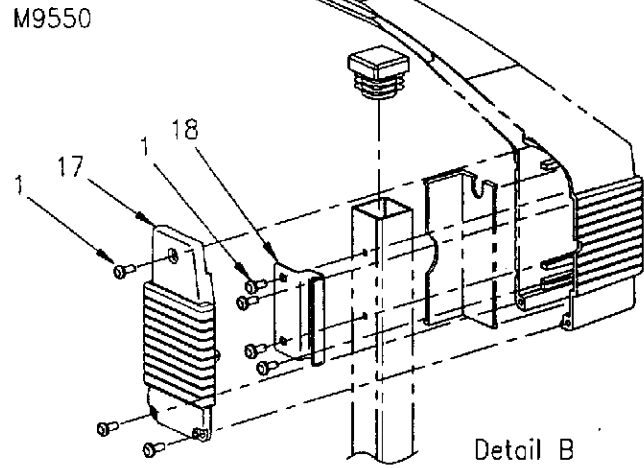
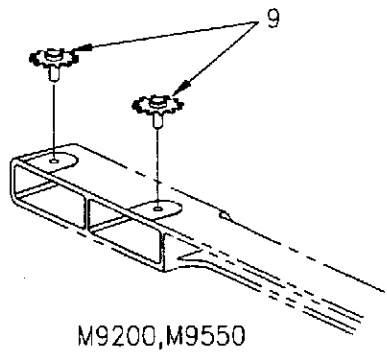
9000-S3C

Section 3
TRIPLET & VARIFOCAL (OPEN) HEAD ASSEMBLIES

Item No.	Part Number	Description	Qty
0A	78-8079-9154-8	HEAD ASSEMBLY, Triplet, (Open), (M9200)	1
0B	78-8079-9155-5	HEAD ASSEMBLY, Varifocal, (Open), (M9550)	1
1	78-8003-9762-8	NUT, U-Type, 8-32	1
2	26-1008-5596-9	SCREW, Taptite M3 x 6 mm, Black Zinc	3
3	78-8064-1833-7	LENS, Triplet, (342 mm) (M9200)	1
4A	78-8079-8831-2	LENS, Varifocal, (280-320 mm) (M9550)	1
4B	78-8073-7291-3	LENS, Varifocal, (275-320 mm) (M9550) Dr. Optics (Europe)	1
4C	78-8079-9208-2	LENS, Varifocal, (280-320 mm) (M9550) Y-K (Japan)	1
5	78-8079-9014-4	ADAPTER, Lens (M9550)	1
6	26-1008-5592-8	SCREW, Taptite, M3.5 x 8	2
7A	26-1002-3977-6	SCREW, M3 x 16, Taptite, Metal	3
7B	26-1004-4542-3	SCREW, Plastite	3
8A	78-8079-9015-1	COVER, Head (M9200)	1
8B	78-8079-9017-7	COVER, Head (M9550)	1
9	26-1005-9570-6	SCREW, Mach. 8-32 x 7/16	1
10	26-1004-0460-2	WASHER, Plain, Nylon	1
11	78-8079-9012-8	BRACKET, Lens (M9550)	1
12A	78-8054-1659-7	MIRROR ASSEMBLY, Triplet (M9550 – Dark Grey*)	1
12B	78-8079-9156-3	MIRROR ASSEMBLY, Triplet (M9200 – Black*)	1

* When ordering colored parts, reference 3M Overhead Projector Color Chart (78-6970-4908-4).

Section 4
ARM AND FOCUS ASSEMBLY



9000-S4C

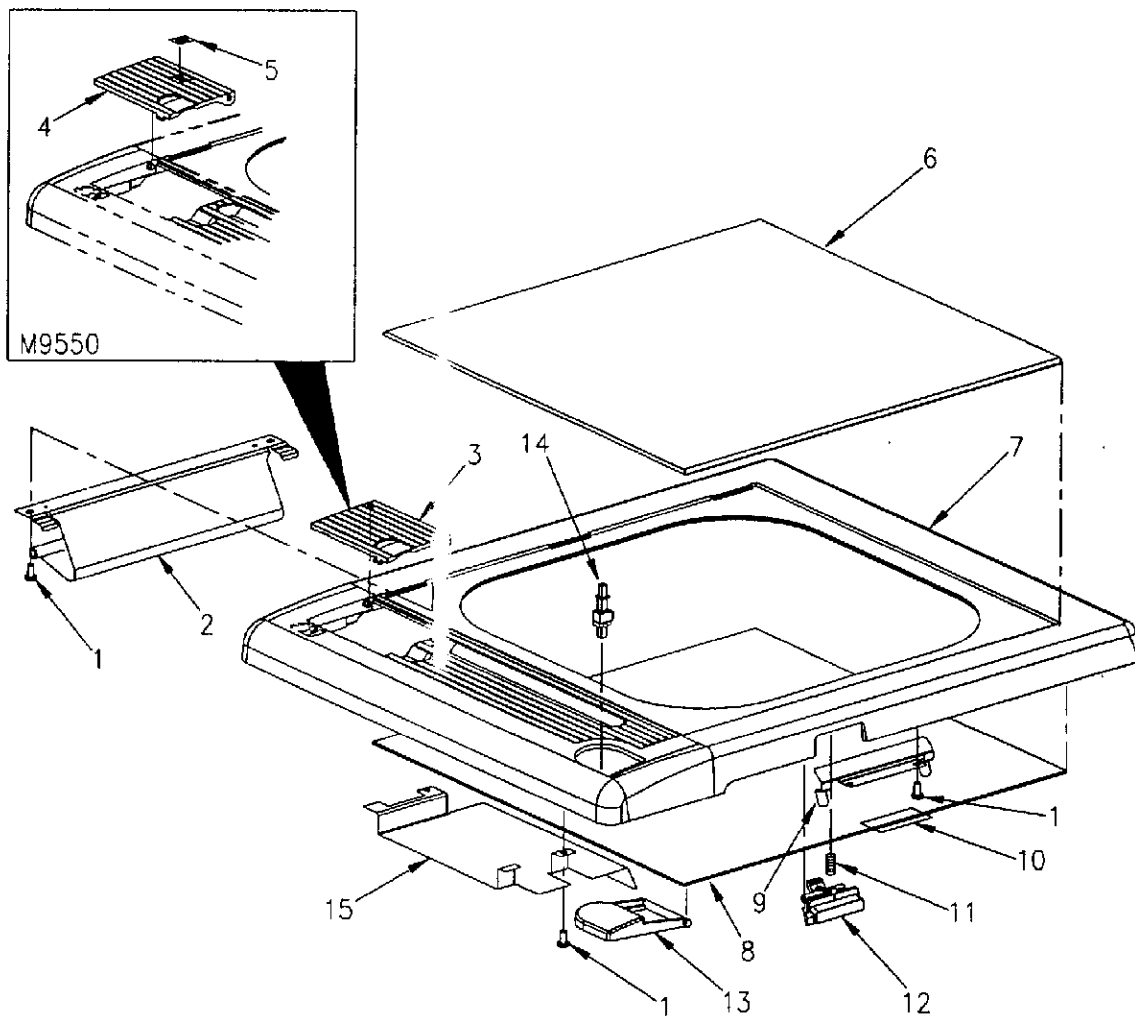
Section 4
ARM AND FOCUS ASSEMBLY

Item No.	Part Number	Description	Qty
1	26-1008-5592-8	SCREW, Taptite, M3.5 x 8 (M9550, qty 7)	5
2	78-8079-8742-1	CAP, Focus arm	1
3	78-8079-8745-4	GEAR, Focus	1
4	78-8079-8746-2	SCREW, Shoulder	2
5	26-1009-4515-8	SPRING, Lee	2
6	78-8079-8747-0	BAR, Pressure	1
7	78-8079-8743-9	CLAMP, Friction	1
8	78-8079-8744-7	RACK, Focus	1
9	26-1003-6669-4	SCREW, Sems, M4 x 0.7 x 16	1
10	26-1009-7442-2	SCREW, Taptite, Hex wash, M4 x 8	2
11	78-8079-8798-3	PLATE, Washer	1
12	26-1009-3653-8	CAP, Post (22 mm square)	1
13A	78-8079-8741-3	ARM, Focus	1
13B	78-8079-8960-9	ARM, Focus (M9550)	1
14	78-8011-1220-8	Pad, Wear	1
15A	78-8079-8759-5	POST, Fixed (M9050, M9060, M9070)	1
15B	78-8079-9088-8*		1
15C	78-8079-9089-6	POST, Folding, Long (M9080, M9100, M9200) (January, 1994 and later)	1
15D	78-8079-8915-3**		1
15E	78-8079-9089-6	POST, Folding (M9550) (January, 1994 and later)	1
16	78-8064-1601-8	KNOB, Focus	1
17	78-8079-8919-5	COVER, Arm (M9550)	1
18	78-8079-8942-7	CLAMP, Post (M9550)	1

* Use 78-8079-9088-8 and spring comp. long 26-1009-8679-8.

** Use 78-8079-9089-6 and spring comp. long 26-1009-8679-8.

Section 5
TOP COVER



Section 5
TOP COVER

Item No.	Part Number	Description	Qty
1	26-1002-4948-6	SCREW, Plastite, 6-19 x 5/16	6
2A	78-8079-8827-0	BRACKET, Hinge, Fresnel Lens, Dual Element (M9100/FNT, M9200/FNT, M9550)	1
2B	78-8079-8818-9	BRACKET, Hinge Fresnel Lens, Single Element (M9050, M9060, M9070, M9080, M9100/ENX, M9200/ENX)	1
3	78-8079-8892-4	DOOR, Lamp Changer (M9100/ENX/FNT, M9200/ENX/FNT)	1
4	78-8079-8929-4	DOOR, Lamp Changer (M9550)	1
5	78-8079-9022-7	LABEL, Lamp Indicator (M9550)	1
6A	78-8064-1473-2	GLASS, Stage (M9050, M9060, M9070, M9080, M9100, M9200)	1
6B	78-8079-8975-7	GLASS, Stage (Hardened) (M9550)	1
7A	78-8079-8749-6	TOP COVER, 10.5" (267 mm) (M9050)	1
7B	78-8079-8901-3	TOP COVER, 10.5" (M9060)	1
7C	78-8079-8902-1	TOP COVER, 10.5" (M9070)	1
7D	78-8079-8903-9	TOP COVER, 10.5" (M9080)	1
7E	78-8079-8904-7	TOP COVER, 10.5" (M9100)	1
7F	78-8079-8905-4	TOP COVER, 10.5" (M9200)	1
7G	78-8079-8891-6	TOP COVER, A4 Size (M9050)	1
7H	78-8079-8907-0	TOP COVER, A4 Size (M9080)	1
7I	78-8079-8908-8	TOP COVER, A4 Size (M9100)	1
7J	78-8079-8909-6	TOP COVER, A4 Size (M9200)	1
7K	78-8079-8910-4	TOP COVER, A4 Size (all M9550 except M9550-AJHL)	1
7L	78-8079-9039-1	TOP COVER, A4 Size (M9550-AJHL)	1
8A	78-8064-1645-5	FRESNEL LENS, Single Element (M9050, M9060, M9070, M9080, M9100/ENX, M9200/ENX)	1
8B	78-8054-1236-4	FRESNEL LENS, Double Element (M9100/FNT, M9200/FNT)	1
8C	78-8079-9045-8	FRESNEL LENS (174 mm) Europe (M9550)	1
8D	78-8079-	FRESNEL LENS (174 mm), Clear (M9550)	1
9A	78-8079-8828-8	RETAINER, Fresnel Lens, Single Element (M9050, M9060, M9070, M9080, M9100/ENX, M9200/ENX)	1
9B	78-8079-8830-4	RETAINER, Fresnel Lens, Dual Element (M9100/FNT, M9200/FNT, M9550)	1
10	78-8079-8939-3	LABEL, Caution (Lens)	1
11	78-8005-0481-9	SPRING	1
12	78-8079-8768-6	LATCH, Top Cover	1
13A	78-8079-8748-8	BUTTON, Power Switch - RED (All versions except Korean and M9550)	1
13B	78-8079-8974-0	BUTTON, Power Switch - PLUM (M9550)	1
13C	78-8079-9165-4	BUTTON, Power Switch (Korean)	1
14	78-8064-1515-0	ACTUATOR, Switch button	1
15A	78-8079-8924-5	SHIELD, Heat, Lamp, ENX	1
15B	78-8079-8918-7	SHIELD, Heat, Lamp, FNT	1

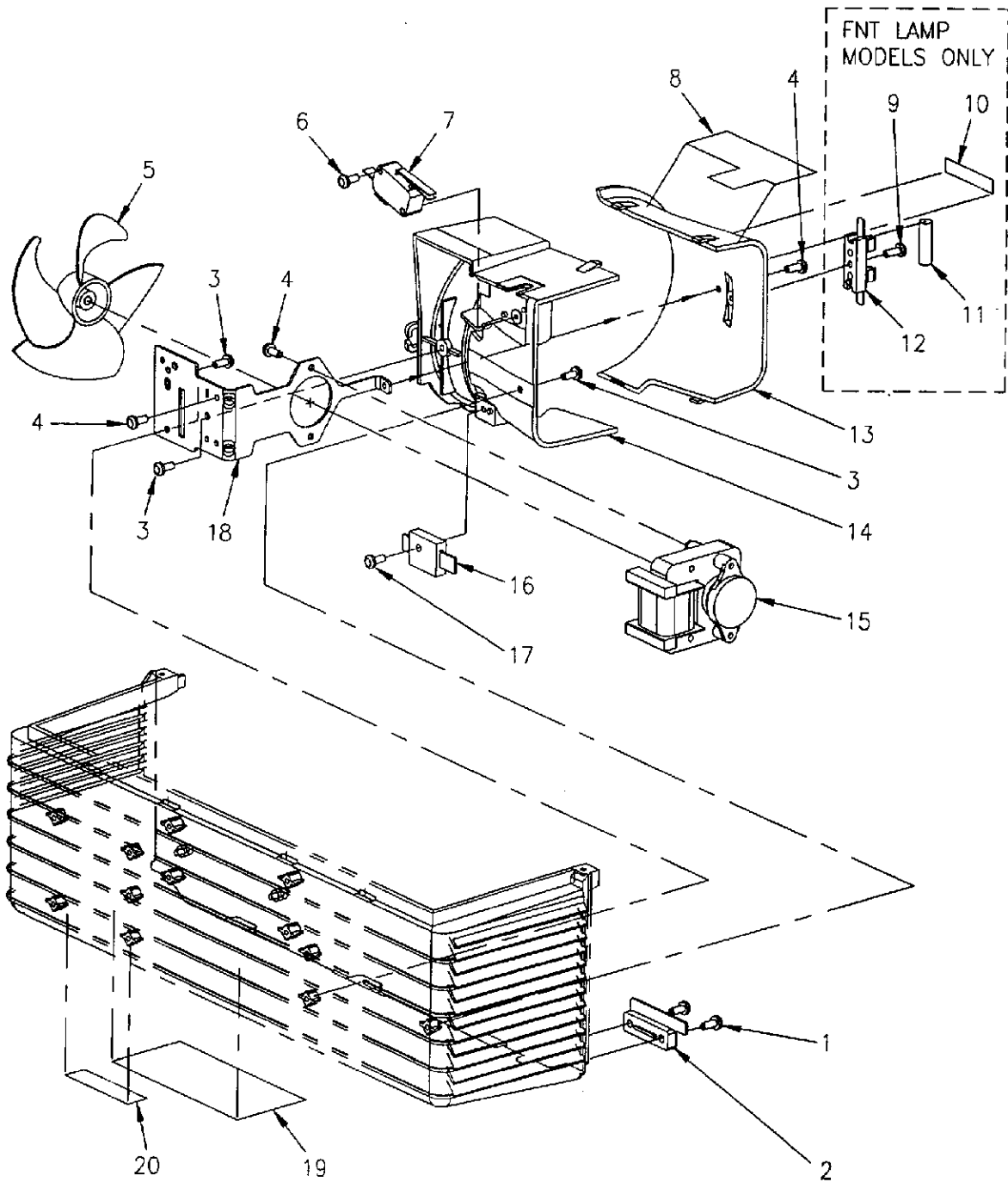
Section 6
BASE ENCLOSURE

Item No.	Part Number	Description	Qty
1A	78-8079-9093-8	BASE, Folding Post, M9550, Version 2.0 (with carry handle option)	1
1B	78-8079-9094-6	BASE, Folding Post, Version 2.0 (without carry handle option)	1
1C	78-8079-9095-3	BASE, Folding Post (M9080, M9100)	1
1D	78-8079-8758-7	BASE, Fixed Post	1
2	78-8079-9066-4	FOOT, Support, Side	1
3	26-1002-4948-6	SCREW, Plastite, 6-19 x 5/16	7
4	78-8079-8817-1	PIVOT, Cover	2
5	26-1004-9853-4	CLAMP	1
6	DY-1160-2020-6	STRAIN RELIEF	1
7	78-8073-7212-9	SWITCH, Hi/Lo (M9050-AHAF, AHAS, AHAS, M9080-AHDF, AHDS, AADS, M9200-AHCC, AHCF, AACCS, and AHCZ)	1
8	78-8079-9007-8	BRACKET, Voltage Select Switch	1
9	26-1002-4864-5	SCREW, Thread Cutting, 8-18 x 5/16	1
10	78-8079-9143-1	MIRROR ASSEMBLY, First Surface (M9550-EVD)	1
11	78-8079-9150-6	MIRROR ASSEMBLY, (M9200)	1
12	78-8079-9141-5	MIRROR ASSEMBLY, (ALL ENX LAMP VERSIONS)	1
13	78-8079-9142-3	MIRROR ASSEMBLY, (ALL FNT LAMP VERSIONS)	1
14A	26-1009-8599-8	SCREW, 10-32 x 2 1/4, Taptite	1
14B	DY-1117-1779-8	SCREW, M4 x 70 Taptite	1
15	26-1005-7810-8	SCREW, Taptite, M3.5 x 6	5
16A	78-8079-9056-5	TRANSFORMER, Japanese EVD (M9550) (100V)	1
16B	78-8079-9079-7	TRANSFORMER, Auto, EVD (120V)	1
16C	78-8079-8991-4	TRANSFORMER, EVD (220V)	1
16D	78-8079-9091-2	TRANSFORMER, Auto, EVD (230/240V)	1
16E	78-8079-8921-1	TRANSFORMER, FNT (100V)	1
16F	78-8079-9070-6	TRANSFORMER, FNT Taiwan (120V)	1
16G	78-8079-8920-3	TRANSFORMER, FNT, Indonesia (127/220V)	1
16H	78-8079-8859-3	TRANSFORMER, FNT (220V)	1
16I	78-8079-8860-1	TRANSFORMER, FNT (230/240V)	1
16J	78-8079-8861-9	TRANSFORMER, FNT (240, 250V)	1
17A	26-1004-2053-3	WASHER, Lock #8, Int/Ext Tooth #8	2
17B	26-1005-7915-5	WASHER, Ext Tooth Lock #10	1
18A	78-8079-9085-4	BRACKET, Transformer, EVD, International	1
18B	78-8079-9087-0	BRACKET, Mounting, Transformer	1
19	78-8079-8810-6	BRACKET, Backup (Fixed Post)	1
20	78-8079-8809-8	BLOCK, Post (Fixed Post)	1
21	78-8079-8811-4	BOLT, Post (Fixed Post)	2
22	78-8011-1485-7	WRENCH	1
23	26-1008-5592-8	SCREW, Taptite, M3.5 x 8	2
24	78-8079-8890-8	CRADLE, Post (Folding Post)	1

Section 6
BASE ASSEMBLY (Continued)

Item No.	Part Number	Description	Qty
25	78-8079-8846-0	BRACKET, Pivot (Folding Post)	1
26A	26-1009-8679-8	SPRING, Comp., Long (after Dec. 1993)	1
26B	26-1009-7379-6	SPRING, (Folding Post) Short (before Jan. 1994)	1
27	78-8079-8997-1	SCREW, Latch (Folding Post)	1
28	78-8079-8852-8	POST LOCK (Folding Post)	1
29	26-1002-5107-8	SCREW, TT, Pan Head, 10-32 x 5/8 L	1
30	26-1006-7602-7	NUT, Hex, 1/4 - 20, Elastic	1
31	26-1009-7284-8	WASHER	2
32	78-8079-8875-9	PIVOT, Post Mount (Folding Post)	1
33	78-8079-8850-2	BOLT, Pivot (Folding Post)	1
34	78-8079-8943-5	HANDLE	1
35	26-1006-5066-7	SCREW, Sems, Taptite, M4 x 8	2
36	26-1001-7987-3	LOCKWASHER, #6	1
37A	78-8079-8951-8	POWER CORD, Australian, 10 Ft.	1
37B	78-8079-8950-0	POWER CORD, Australian, 15 Ft.	1
37C	78-8079-8947-6	POWER CORD, European, 10 Ft.	1
37D	78-8079-8946-8	POWER CORD, European, 15 Ft.	1
37E	78-8079-8957-5	POWER CORD, Hong Kong, 10 Ft.	1
37F	78-8079-8956-7	POWER CORD, Hong Kong, 15 Ft.	1
37G	78-8079-8959-1	POWER CORD, Japan, 10 Ft.	1
37H	78-8079-8958-3	POWER CORD, Japan, 15 Ft.	1
37I	78-8079-8948-4	POWER CORD, U.K., 15 Ft.	1
37J	78-8079-8822-1	POWER CORD, US (120V) 10 Ft. (M9050, M9060, M9070)	1
37K	78-8079-8934-4	POWER CORD, US (120V) 15 Ft. (M9100, M9200 ENX and FXL)	1
37L	78-8079-9023-5	POWER CORD, 120V, (M9550)	1
37M	78-8079-8955-9	POWER CORD, So. Africa, 10 Ft.	1
37N	78-8079-8954-2	POWER CORD, So. Africa, 15 Ft.	1
37P	78-8079-8952-6	POWER CORD, Swiss, 15 Ft.	1
38A	26-1003-3716-6	SCREW, Plastite, 6-19 x 1	1
38B	26-1008-5205-7	SCREW, TT, Torx Dr., 6-19 x 1"	1
39	26-1002-8892-2	NUT, Keps, 10-32, Ext Lock Wash	2
40	78-8073-6942-2	SCREW, Foot	4
41	26-1008-5211-5	FOOT	4
42	78-8079-8897-3	WRAP, Cord	1
43	78-8015-5038-1	SWITCH, Interlock	1
44	78-8079-8795-9	BRACKET, Interlock Switch	1

Section 7
COOLING FAN

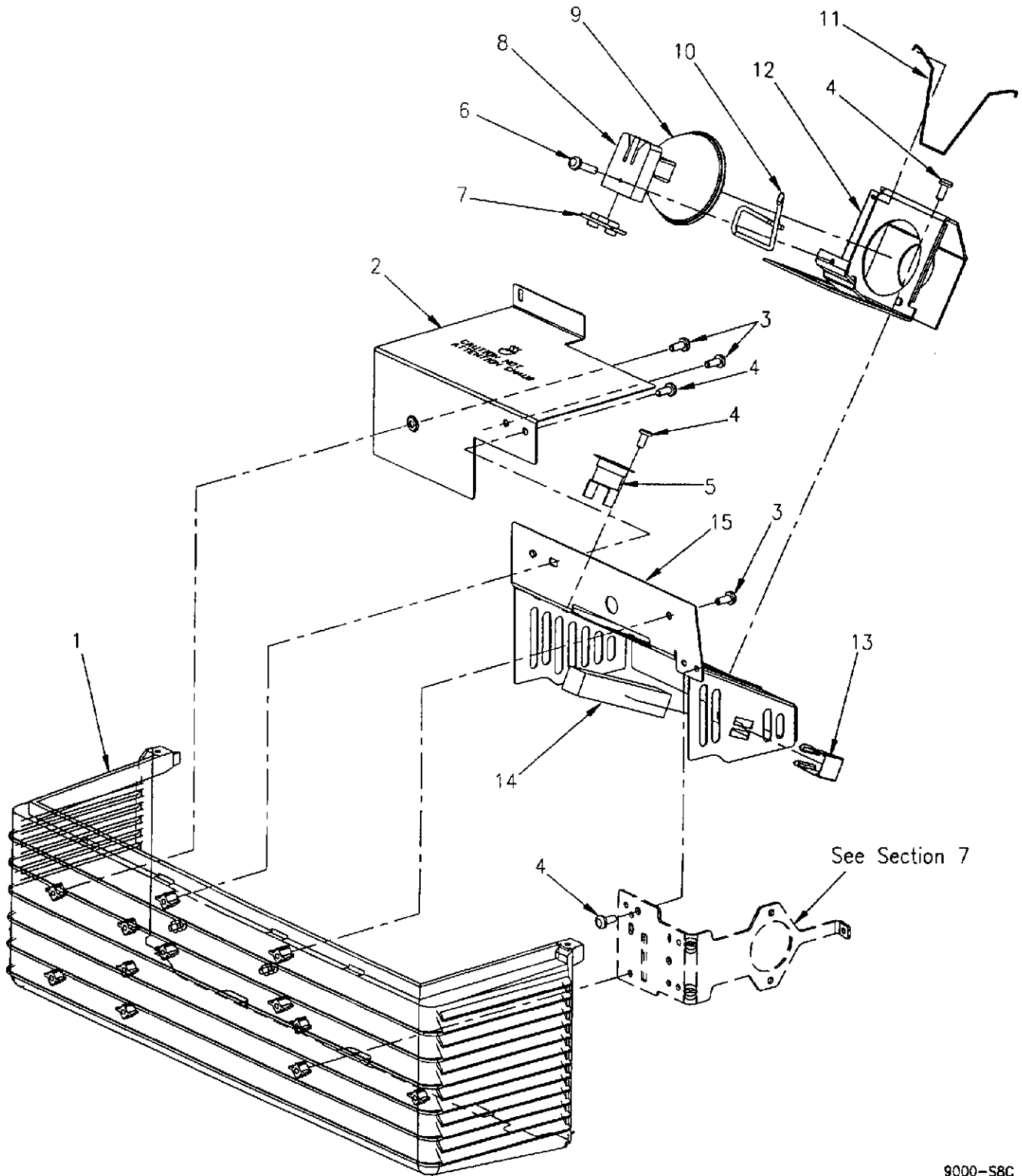


9000-57C

Section 7
COOLING FAN

Item No.	Part Number	Description	Qty
1	26-1007-5427-9	SCREW, 6-19 x 3/8 L, Plastite	1
2A	78-8079-8796-7	PLATE, Cord, Large (Black)	1
2B	78-8079-8797-5	PLATE, Cord, Small (Gray)	1
3	26-1002-4948-6	SCREW, Plastite, 6-19 x 5/16	3
4	26-1005-7810-8	SCREW, Taptite, M3.5 x 6	5
5A	78-8079-8788-4	BLADE, Fan (White)	1
5B	78-8079-9194-4	BLADE, Fan, Tech Air (Black)	1
6	26-1006-7884-1	SCREW, Type BT, 4-24 x 5/8	1
7	78-8079-8823-9	SWITCH, Micro	1
8A	78-8079-8878-3	LABEL, Lamp Replacement (ENX)	1
8B	78-8079-8977-3	LABEL, Lamp Replacement (FXL) (M9200)	1
8C	78-8079-8979-9	LABEL, Lamp Replacement (EVD International)	1
8D	78-8079-8978-1	LABEL, Lamp Replacement (FNT)	1
8E	78-8079-8980-7	LABEL, Lamp Replacement (EVD - U.S.)	1
8F	78-8079-9084-7	LABEL, Lamp Replacement (Japanese)	1
9	26-1002-4966-8	SCREW, Plastite, 4-20 x 1/4	1
10A	78-8057-4184-6	LABEL, Fuse	1
10B	78-8079-9057-3	LABEL, Fuse, Japanese	1
11A	26-1005-9599-5	FUSE, 5 Amp (100/120 Volt Versions)	1
11B	26-1003-4526-8	FUSE, 10A, FST	1
12	26-1005-6624-4	FUSEHOLDER	1
13	78-8079-8874-2	DUCT, Fan, Forward	1
14	78-8079-8873-4	DUCT, Fan, Rear	1
15A	78-8079-8787-6	MOTOR, Fan (120V)	1
15B	78-8079-8936-9	MOTOR, Fan (230 Volt)	1
15C	78-8079-9020-1	MOTOR, Fan (120 Volt) (M9550)	1
15D	78-8079-8937-7	MOTOR, Fan (100 Volt)	1
16	78-8064-1834-5	DIODE, Inline	1
17	26-1002-4971-8	SCREW, Plastite, 6-19 x 1/2	1
18	78-8079-8869-2	BRACKET, Motor	1
19	78-8006-8611-1	NAMEPLATE, Data	1
20	78-8064-1809-7	LABEL, Caution (Australia)	1
Not Shown	78-8003-8335-4	WIRE, Tie, Panduit	1

Section 8
LAMP HOUSING - ENX SINGLE LAMP

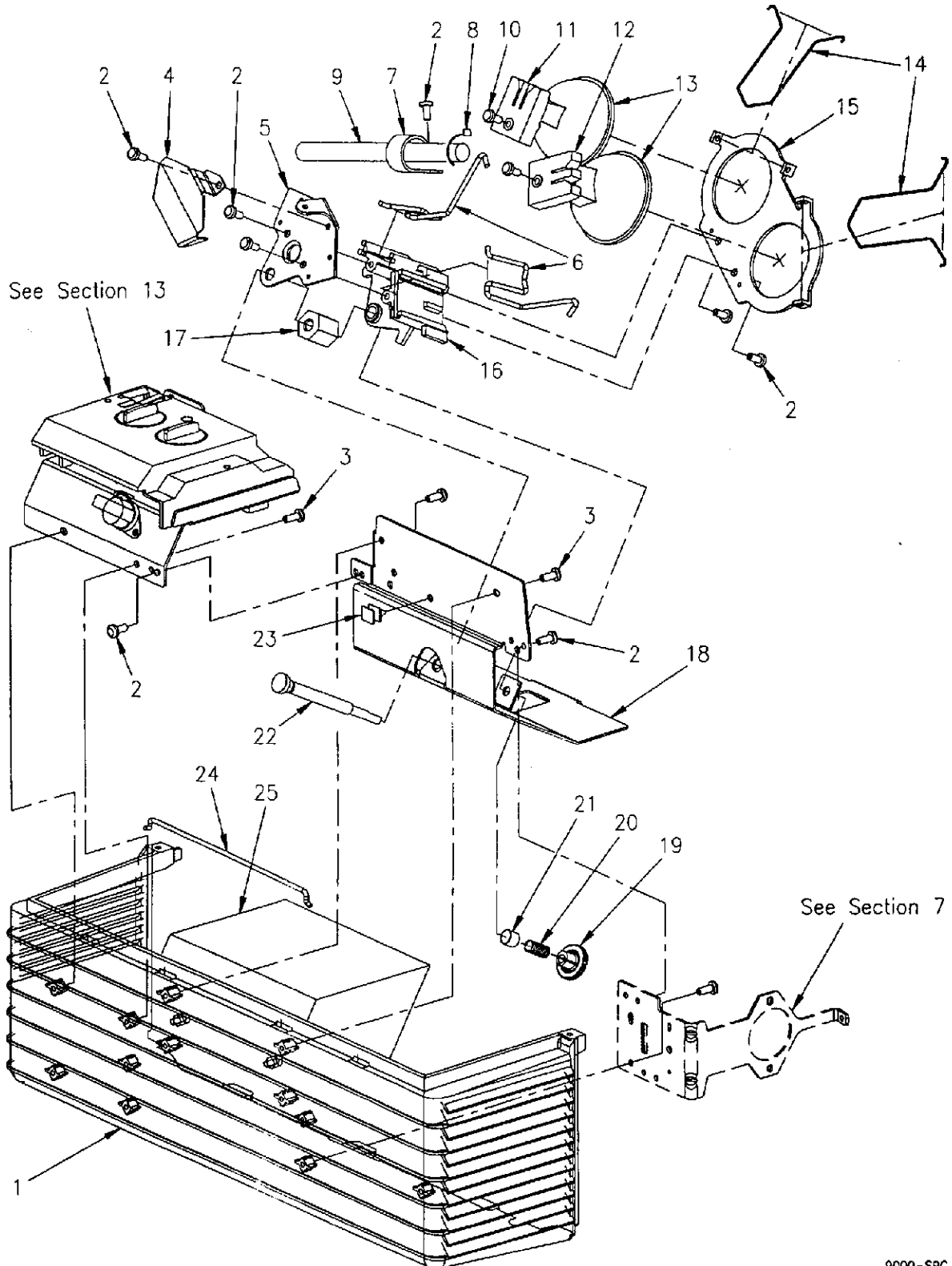


9000-S8C

Section 8
LAMP HOUSING – ENX SINGLE LAMP

Item			Qty
No.	Part Number	Description	
0	78-8079-9157-1	LAMP MODULE, ENX Single (120V) (Complete Assembly)	1
1	78-8079-8752-0	HOUSING, Lamp module	1
2	78-8079-8840-3	BRACKET, Support	1
3	26-1002-4948-6	SCREW, Plastite, 6-19 x 5/16	3
4	26-1005-7810-8	SCREW, Taptite, M3.5 x 6	4
5	78-8079-8872-6	THERMOSTAT, Safety (ENX)	1
6	26-1002-6207-5	SCREW, Taptite, M3 x 12	1
7	78-8064-1509-3	COVER, Wire	1
8	78-8079-8820-5	SOCKET, Single lamp (ENX)	1
9	78-8011-1186-1	LAMP-Projection, ENX	1
10	78-8064-1491-4	WIREFORM, Lampholder	1
11	78-8064-1510-1	SPRING, Retainer	1
12	78-8073-7208-7	BRACKET, Socket	1
13	78-8033-1666-6	CLIP, Tinnerman	1
14	78-8073-7127-9	RESISTOR, 1.2 Ohm (M9050, M9060, M9070)	1
15	78-8079-8895-7	MOUNT, ENX – Single Lamp	1

Section 9
LAMP HOUSING - ENX/FXL DUAL LAMP

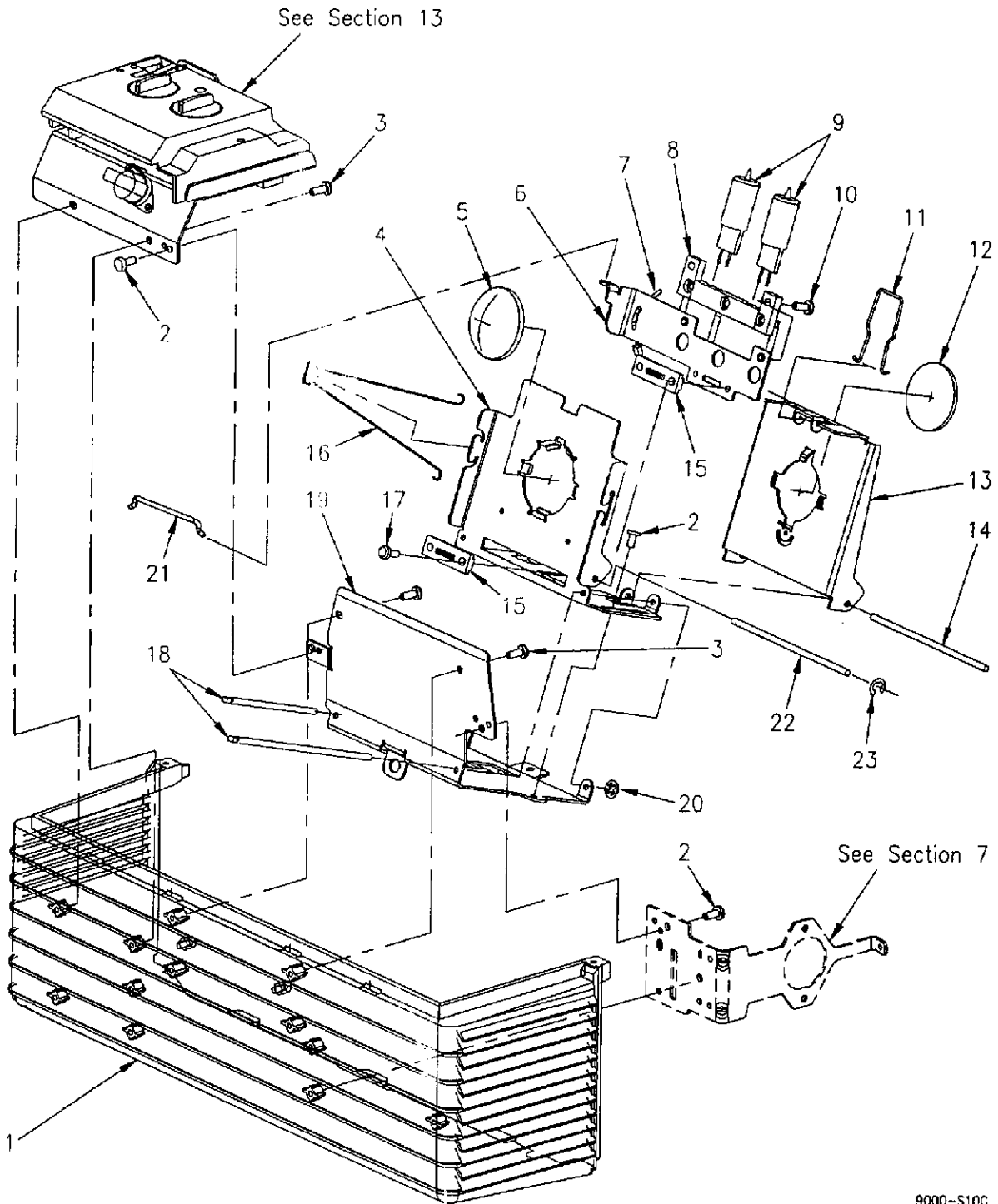


9000-S9C

Section 9
LAMP HOUSING – ENX/FXL DUAL LAMP

Item No.	Part Number	Description	Qty
0	78-8079-9158-9	LAMP MODULE, without Dimmer (120V) (M9080) (Complete Assembly)	1
0	78-8079-9159-7	LAMP MODULE, with Dimmer (120V) (M9100, M9200) (Complete Assembly)	1
1	78-8079-8927-8	HOUSING, Lamp module	1
2	26-1005-7810-8	SCREW, Taptite, M3.5 x 6	6
3	26-1002-4948-6	SCREW, Plastite, 6-19 x 5/16	3
4	78-8079-8923-7	BRACKET, Wire Cover	1
5	78-8079-8858-5	PLATE, Socket, ENX D	1
6	78-8079-8862-7	EJECTOR, Lamp	1
7	26-1009-7212-9	CLAMP, Wire, Black	1
8	78-8003-8335-4	WIRE TIE	1
9	78-8079-8984-9	SLEEVE, Insulator	1
10	26-1002-6207-5	SCREW, Taptite, M3 x 12	2
11	78-8079-8995-5	LAMP SOCKET – Black Wires	1
12	78-8079-8932-8	LAMP SOCKET, ENX Dual	1
13A	78-8011-1186-1	LAMP, ENX (M9080, M9100)	1
13B	78-8073-7100-6	LAMP, FXL (M9200)	1
14	78-8079-8863-5	RETAINER, Lamp	1
15	78-8079-8856-9	PLATE, Lamp, ENX D	1
16	78-8079-8857-7	PIVOT, Lamp Mount, ENX D	1
17	78-8079-8866-8	SLEEVE, Color Tuning	1
18	78-8079-8865-0	BRACKET, Lamp Mount	1
19	78-8079-8912-0	KNOB, Color Tuning	1
20	26-1009-7485-1	SPRING	1
21	26-1009-7186-5	CLIP, Tinnerman	1
22	78-8079-8893-2	SHAFT, Color Tuning	1
23	26-1009-8261-5	CLIP	1
24	78-8079-8887-4	ROD, Lamp Changer	1
25	78-8079-9021-9	TAPE, Reflective	1

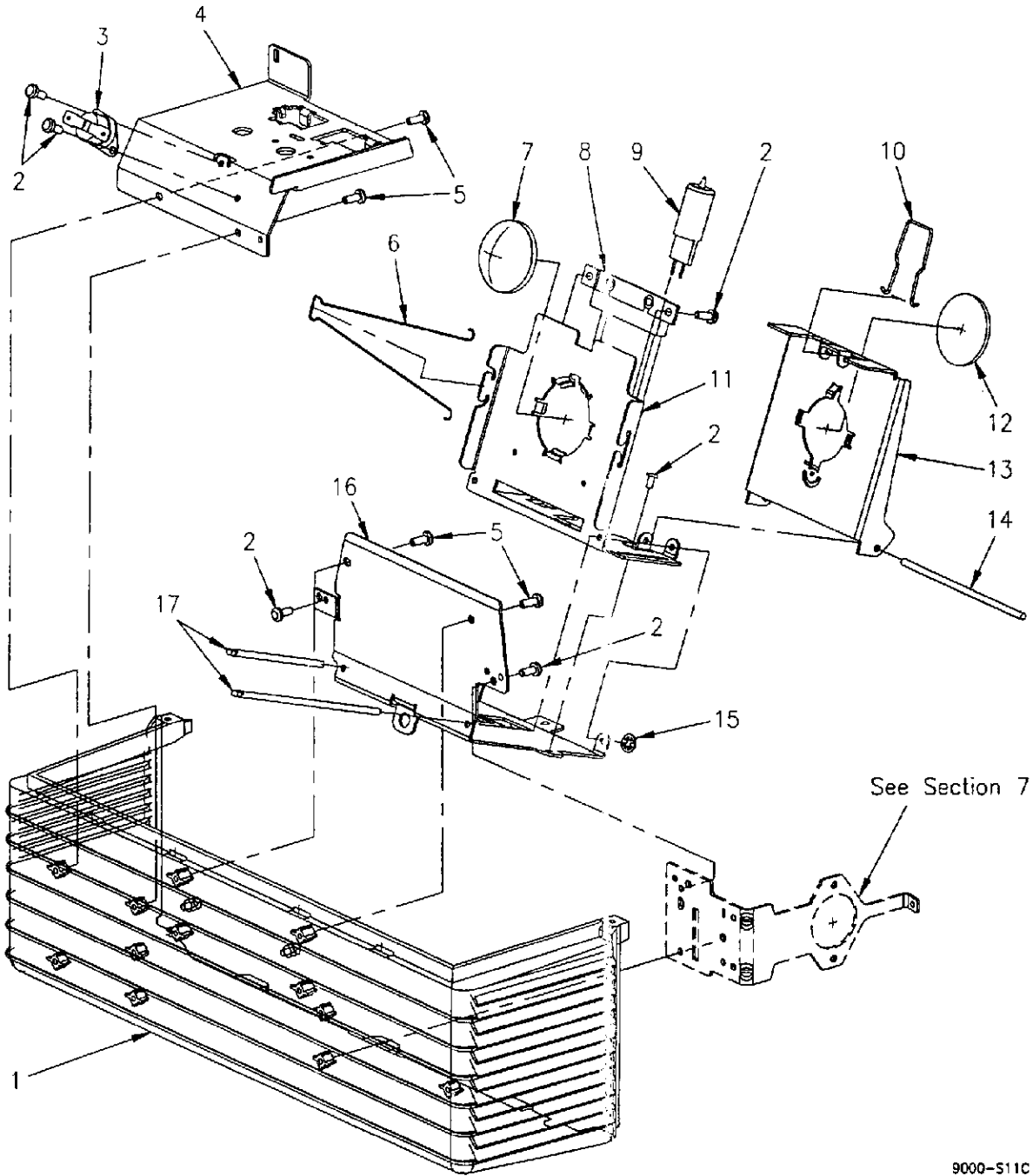
Section 10
LAMP HOUSING - EVD DUAL LAMP (M9550)



Section 10
LAMP HOUSING – EVD DUAL LAMP (M9550)

Item No.	Part Number	Description	Qty
0	78-8079-9162-1	LAMP MODULE, EVD Dual (120V) (Complete Assembly)	1
1	78-8079-8752-0	HOUSING, Lamp module	1
2	26-1005-7810-8	SCREW, Taptite, M3.5 x 6	3
3	26-1002-4948-6	SCREW, Plastite, 6-19 x 5/16	4
4	78-8079-8837-9	HOLDER, Reflector (EVD)	1
5	78-8079-8899-9	REFLECTOR, (60 mm)	1
6	78-8079-8983-1	BRACKET, Dual Lamp (EVD)	1
7	78-8003-8335-4	WIRE, Tie, Panduit	1
8	78-8079-8819-7	LAMP SOCKET ASSEMBLY, Dual	1
9	78-8079-8791-8	LAMP, EVD	1
10	26-1002-6206-7	SCREW, Taptite, M3 x 10	2
11	78-8079-9053-2	SPRING, Catch	1
12	78-8079-9025-0	LENS, Condenser (60 mm)	1
13	78-8079-8836-1	BRACKET, Lens, Large Condenser	1
14	78-8079-8930-2	ROD, Center	1
15	78-8079-9008-6	SLIDE, Lamp Change	1
16	78-8079-8896-5	SPRING, Retaining, Reflector (EVD)	1
17	26-1001-1703-0	SCREW, Taptite, M3.5 x 12	2
18	78-8079-8931-0	ROD, Slide	2
19	78-8079-8814-8	MOUNT, Lamp Holder (FNT/EVD)	2
20	78-8656-5801-3	RING, Push-on, Truarc	1
21	78-8079-8988-0	ROD, Lamp Change	1
22	78-8079-9097-9	ROD, Slide	1
23	78-8656-5801-3	RING, Push-on, Truarc	1
Not Shown	78-8079-9021-9	TAPE, Reflective (M9550 International)	1

Section 11
LAMP HOUSING - FNT SINGLE LAMP

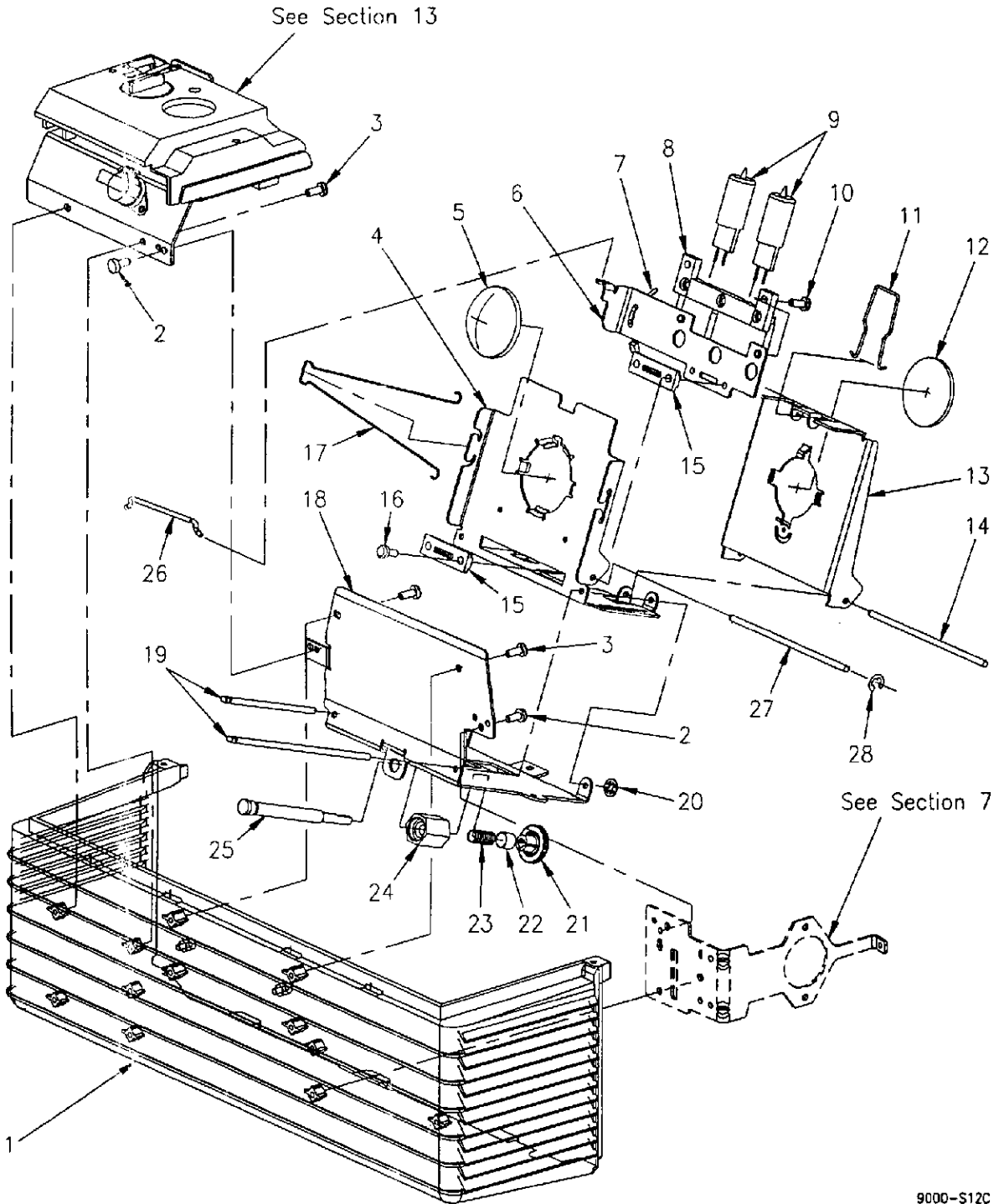


9000-511C

Section 11
LAMP HOUSING – FNT SINGLE LAMP

Item No.	Part Number	Description	Qty
0	78-8079-9160-5	LAMP MODULE, FNT Singlet (230V) (Complete Assembly)	1
1	78-8079-8752-0	HOUSING, Lamp module	1
2	26-1005-7810-8	SCREW, Taptite, M3.5 x 6	8
3	78-8079-9010-2	THERMOSTAT, Safety (FNT)	1
4	78-8079-8885-8	BRACKET, Lamp Change	1
5	26-1002-4948-6	SCREW, Plastite, 6-19 x 5/16	1
6	78-8079-8896-5	SPRING, Retaining, Reflector (EVD)	1
7	78-8079-8829-6	REFLECTOR, Metal (32 mm)	1
8	78-8079-8841-1	LAMP SOCKET ASSEMBLY, Single	1
9	78-8054-1175-4	LAMP, FNT	1
10	78-8079-9053-2	SPRING, Catch	1
11	78-8079-8835-3	HOLDER, Reflector (FNT)	1
12	78-8012-7827-2	LENS, Condenser	1
13	78-8079-8834-6	BRACKET, Lens (Small Condenser)	1
14	78-8079-8930-2	ROD, Center	1
15	78-8656-5801-3	RING, Push-on, Truarc	2
16	78-8079-8814-8	MOUNT, Lamp Holder (FNT/EVD)	1
17	78-8079-8931-0	ROD, Slide	2

Section 12
LAMP HOUSING - FNT DUAL LAMP

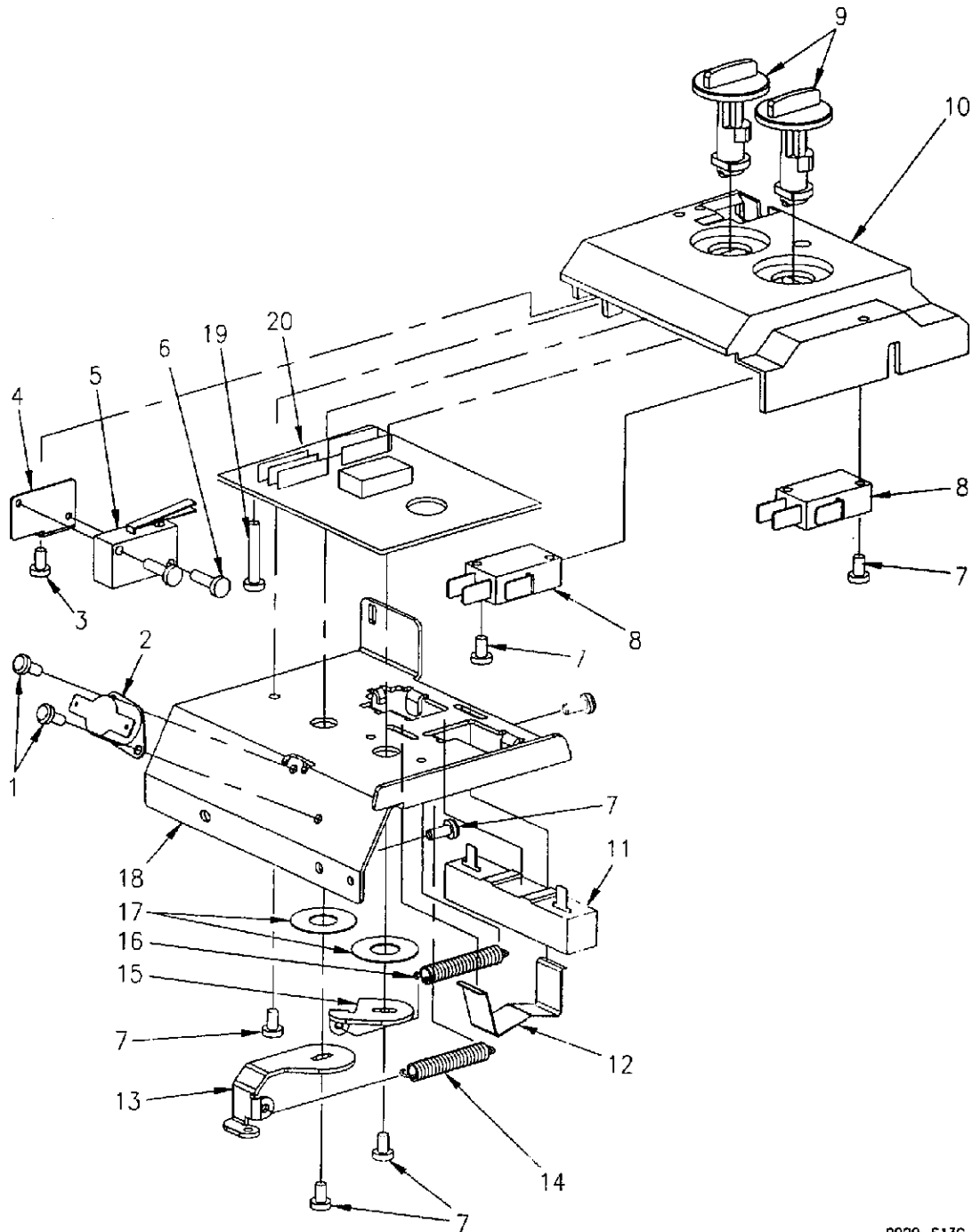


9000-S12C

Section 12
LAMP HOUSING – FNT DUAL LAMP

Item No.	Part Number	Description	Qty
0	78-8079-9161-3	LAMP MODULE, FNT Lamp Changer (230V) (Complete Assembly)	1
1	78-8079-8927-8	HOUSING, Lamp Module	1
2	26-1005-7810-8	SCREW, Taptite, M3.5 x 6	2
3	26-1002-4948-6	SCREW, Plastite, 6-19 x 5/16	4
4	78-8079-8835-3	HOLDER, Reflector (FNT)	1
5	78-8079-8829-6	REFLECTOR, Metal (32 mm)	1
6	78-8079-8838-7	BRACKET, Dual Lamp (FNT)	1
7	78-8003-8335-4	WIRE, Tie – Panduit	1
8	78-8079-8819-7	LAMP SOCKET ASSEMBLY, Dual	1
9	78-8054-1175-4	LAMP, FNT	1
10	26-1002-6206-7	SCREW, Taptite, M3 x 10	2
11	78-8079-9053-2	SPRING, Catch	1
12	78-8012-7827-2	LENS, Condenser	1
13	78-8079-8834-6	BRACKET, Lens (Small Condenser)	1
14	78-8079-8930-2	ROD, Center	1
15	78-8079-9008-6	SLIDE, Lamp Change	1
16	26-1001-1703-0	SCREW, Taptite, M3.5 x 12	1
17	78-8079-8896-5	SPRING, Retaining, Reflector (EVD)	1
18	78-8079-8814-8	MOUNT, Lamp Holder (FNT/EVD)	1
19	78-8079-8931-0	ROD, Slide	2
20	78-8656-5801-3	RING, Push-on, Truarc	2
21	78-8079-8912-0	KNOB, Color Tuning	1
22	26-1009-7186-5	CLIP, Tinnerman	1
23	26-1008-5200-8	SPRING, Comp.	1
24	78-8079-8866-8	SLEEVE, Color Tuning	1
25	78-8079-8928-6	SHAFT, Color Tuning (International)	1
26	78-8079-8988-0	ROD, Lamp Change	1
27	78-8079-9097-9	ROD, Slide	1
28	78-8656-5801-3	RING, Push On, Truarc	1

Section 13
LAMPCHANGER & HI/LO LAMP CONTROL MODULE (Dual Lamp Versions)



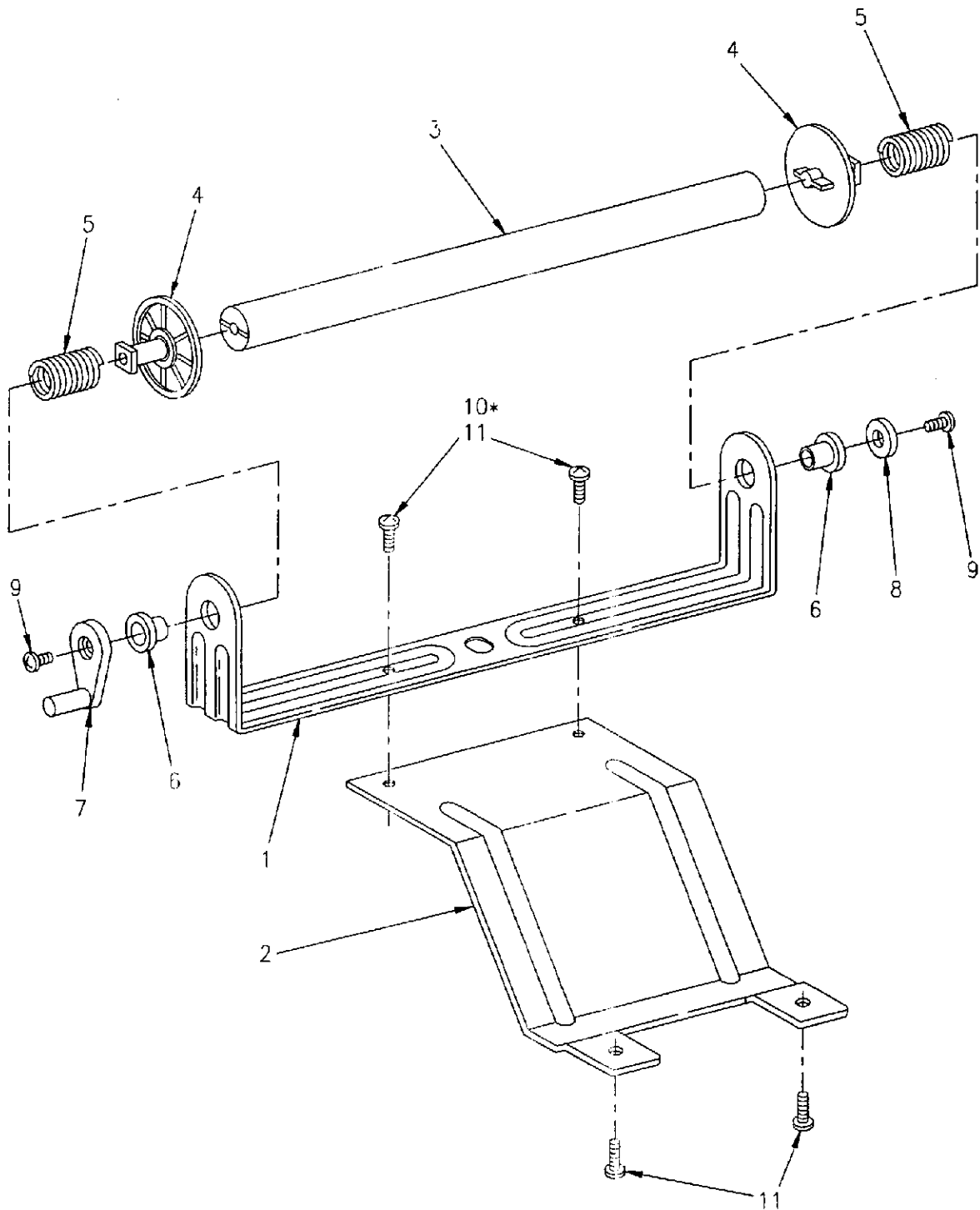
9000-S13C

Section 13

LAMPCHANGER & HI/LO LAMP CONTROL MODULE (Dual Lamp Versions)

Item No.	Part Number	Description	Qty
0	78-8079-9147-2	LAMP CHANGER and Hi/Lo Control Module EVX (Complete Assembly)	1
0	78-8079-9149-8	LAMP CHANGER and Hi/Lo Control Module EVD (Complete Assembly)	1
1	26-1005-7810-8	SCREW, Taptite, M3.5 x 6	3
2	78-8079-8933-6	THERMOSTAT (M9080/ENX, M9100/ENX, M9200/ENX, M9550)	1
3	26-1002-4948-6	SCREW, Plastite, 6-19 x 5/16	1
4	78-8079-8886-6	ADAPTER, Switch, Interlock	1
5	78-8079-8823-9	SWITCH, Micro	1
6	26-1002-6207-5	SCREW, Taptite, M3 x 12	2
7	26-1006-7884-1	SCREW, Type BT, 4-24 x 5/8	1
8	78-8079-8855-1	SWITCH, Lampchanger/Hi/Lo, Dimmer	1
9	78-8079-8880-9	KNOB, Lamp Changer/Hi/Lo Lamp (Some M9080 versions, qty 1)	2
10A	78-8079-8879-1	HOUSING, Control, 2 Hole (M9100, M9200, M9550)	1
10B	78-8079-8965-8	HOUSING, Control, 1 Hole (Some M9080 versions)	1
11	78-8073-7127-9	RESISTOR (M9080, M9100, M9200 ENX versions)	1
12	78-8079-8925-2	RETAINER, Resistor (M9080, M9100, M9200 ENX versions)	1
13	78-8079-8881-7	LEVER, Lamp Changer (M9080, M9100, M9200)	1
14	12-7995-0850-7	SPRING	1
15	78-8079-8882-5	LEVER, Switch, Lamp Hi/Lo, Intensity	1
16	26-1009-7377-0	SPRING	1
17	78-8079-9065-6	WASHER, Lamp Changer (M9080, qty 1)	2
18	78-8079-8885-8	BRACKET, Lamp Changer	1
19	26-1008-4567-1	SCREW, Taptite, 4-24 x 3/4	2
20	78-8079-8889-0	PCB ASSEMBLY, Lamp Changer (M9550)	1

Section 14
ROLLER ASSEMBLY



9000-S14C

Section 14
ROLLER ASSEMBLY

Item No.	Part Number	Description	Qty
1A	78-8064-1794-1	BRACKET, Roller 10 1/4"	2
1B	78-8064-1808-9	BRACKET, Roller 11 1/4" (A4)	2
2	78-8064-1582-0	BRACE, Roller (For front to rear installation, use only one.)	2
3A	78-8052-8348-4	ROLL, Takeup, 10 1/4"	1
3B	78-8052-8347-6	ROLL, Takeup, 11 1/4" (A4)	1
4	78-8064-1801-4	SPINDLE, Driver	4
5	78-8015-2206-7	SPRING	4
6	78-8161-4222-4	BEARING	4
7	78-8064-1802-2	CRANK	2
8	12-7991-1737-4	WASHER, Plain, No. 8, Zinc Plate	2
9	26-1002-5091-4	SCREW, Taptite Pan Head, Phillips 6-32 x 1/4L	4
10	26-1007-5427-9*	SCREW, Plastite Pan Head, Phillips 6-19 x 3/8L	2
11	26-1005-7800-9	SCREW, Metric, Pan Head, Phillips M3.5 x 0.6 x 8L, Taptite	8

* Only used when the second bracket is used for a side-to-side installation.