

REPLACEMENT PARTS LIST PS-360

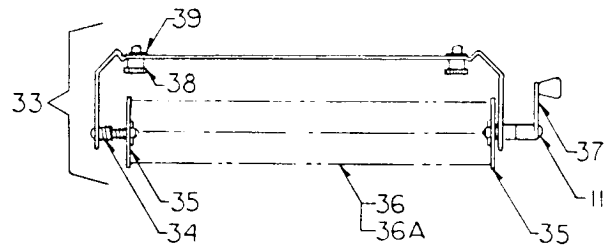
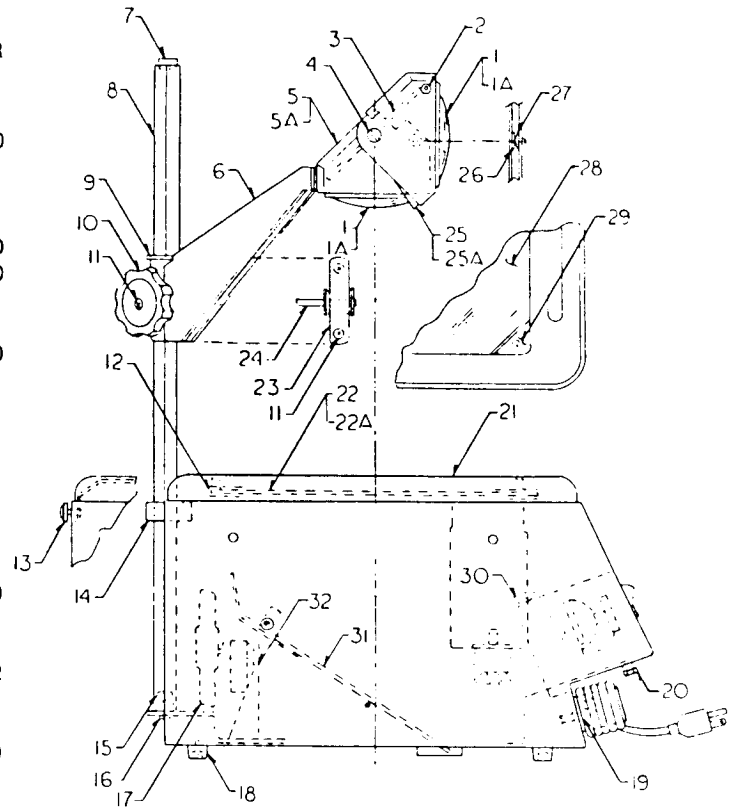
REF.
NO.

DESCRIPTION

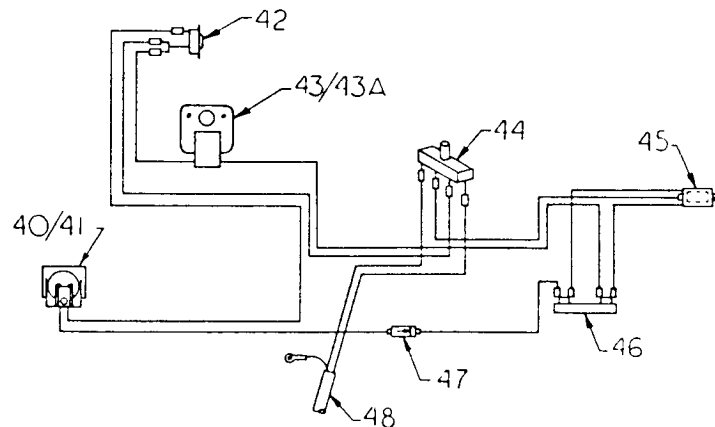
BESELER
PART
CAT. NO.

DA-LITE/
BESELER
PART
CAT. NO.

| | | | |
|-----|--|--------------|-----------|
| 1 | Lens-14" F | 680-37-36 | S14660-40 |
| 2 | Pivot-Lens Tilt | 562-64-01 | 13842-40 |
| 3 | Mirror, Front Surface | 680-69-18 | 14716-40 |
| 4 | Screw-Shoulder, Head Pivot | 540-30-07 | 13265-40 |
| 5 | Head Assembly-14" F | 10-15730 | S10236-40 |
| 6 | Arm Assembly | 10-21141 | S10465-40 |
| 7 | Plug, Post | 570-42-50 | 13971-41 |
| 8 | Post Assembly | 10-17830 | S10339 |
| 9 | Yoke Assembly, Focus | | S10686-40 |
| 10 | Knob-Focus | 568-05-05 | 13910-40 |
| 11 | Screw, Mach | 519-16-32-01 | 13050-40 |
| 12 | Frame, Fresnel (4 pcs.) | 10-15776 | 10256-40 |
| 13 | Screw-Thumb, Cover Lock | 540-33-17 | 13277-40 |
| 14 | Clamp, Post | 555-44-10 | 13741-40 |
| 15 | Plug-Post Locating | 10-17768 | 10322-40 |
| 16 | Screw-Tap | 538-23-24-05 | 13232-01 |
| 17 | Impeller-4 1/2" Dia. | 620-40-13 | 14466-40 |
| 18 | Rubber Foot Kit (4 Bumpers, 4 Screws) | 10-17723 | S10307-40 |
| 19 | Strain Relief Bushing | 600-82-29 | 14343 |
| 20 | Knob-Rd. Screw | 568-20-21 | 13920-40 |
| 21 | Top Cover & Fresnel Frame Ass'y. | 10-17794-25 | S10334-42 |
| 22 | Fresnel Lens-14" F Units | 680-32-27 | 14647-40 |
| 23 | Spring-Friction | 10-21088 | 10462-40 |
| 24 | Focus Shaft Ass'y. | 10-21084 | S10459-40 |
| 25 | Visor-Top | 10-15813-01 | 10278-41 |
| 25A | Visor-Bottom | 10-15813-02 | 10278-42 |
| 26 | Slide-Stem, Nylon | 570-34-03 | 13956-40 |
| 27 | Washer-Bow | 549-20-07 | 13549-40 |
| 28 | Glass-Cover | 680-87-49 | 14748-40 |
| 29 | Cover Glass Retainer Kit (4 Retainers, 4 Keps Nuts) | 10-17724 | 10308-40 |
| 30 | Wing Nut | 546-20-14 | 13409-40 |
| 31 | Mirror and Tape Ass'y. | 10-46923 | S11736-40 |
| 32 | Frame-Motor Mtg. | 10-46925 | 11737 |
| 33 | Roll Attachment | 17590 | 9540-1 |
| 34 | Spring-Roll Attachment | 562-72-27 | 13857-40 |
| 35 | Disc-Drive | 10-03956 | 10022-40 |
| 36 | Spool-Take-up | 562-17-02 | 13832-40 |
| 36A | Acetate Roll | 7405 | 9500-5 |
| 37 | Crank Ass'y.-Roll | 10-03952 | S10020-40 |
| 38 | Screw-Shoulder Thumb | 540-33-13 | 13276-41 |
| 39 | Washer-Retg. | 549-10-01 | 13544-40 |
| 40 | Lamp-360 Watts, 82 Volts | 625-30-32 | 14467-40 |
| 41 | Socket-Lamp | 625-72-13 | 14480-40 |
| 42 | Thermal Switch | 610-22-23 | 14442-40 |
| 43 | Motor-115 Volts | 615-20-52 | 14453-40 |
| 43A | Motor-240 Volts | 615-22-33 | 14455 |
| 44 | Microswitch | 610-18-21 | 14436-40 |
| 45 | Switch-Rocker | 10-46495 | S11551-40 |
| 46 | Resistor-1.3 Ohms | 630-57-13-84 | 14511 |
| 47 | Rectifier | 635-70-22 | 14543-40 |
| 48 | Cord Set-Male 120 Volts | 10-46497 | S11553 |
| 49 | Screw-Tap | 538-19-16-06 | 13239-40 |

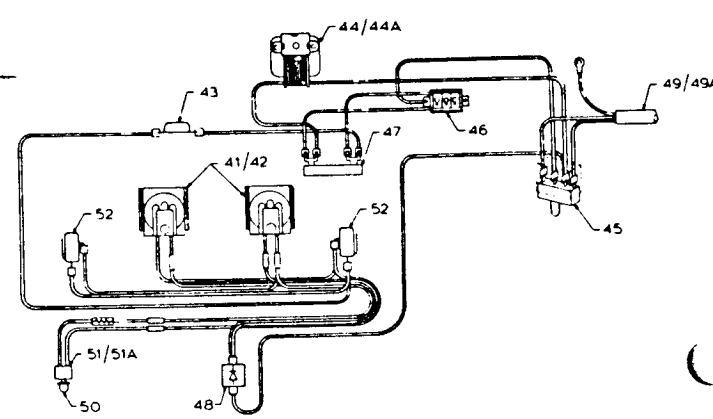
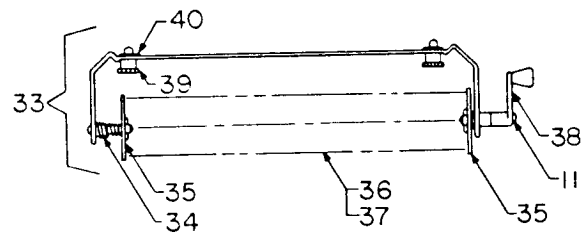
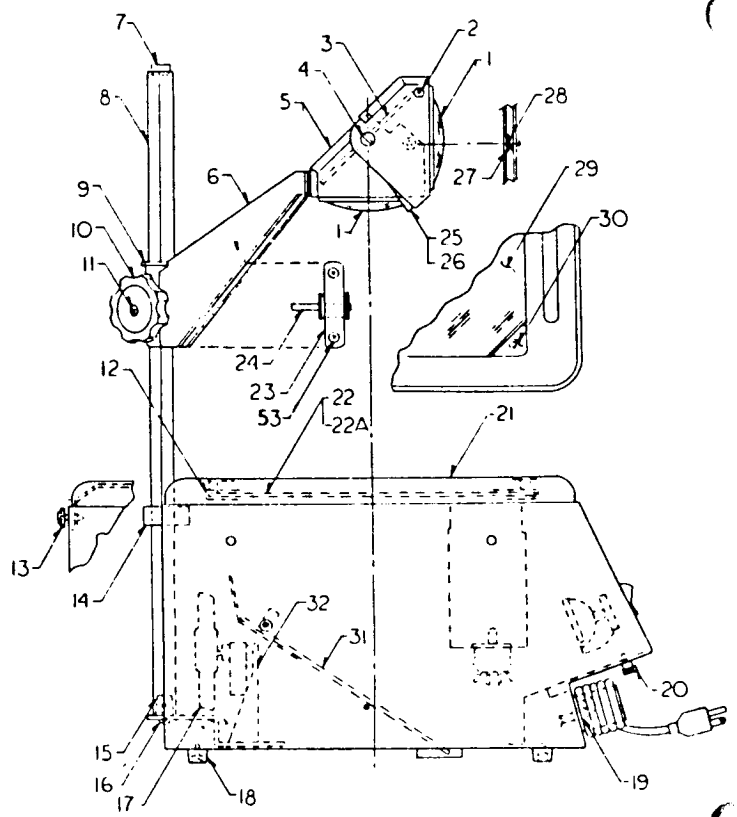


WIRING DIAGRAM



REPLACEMENT PARTS LIST PS-360-LC

| REF. NO. | DESCRIPTION | BESELER PART CAT. NO. | DA-LITE/ BESELER PART CAT. NO. |
|----------|--|-----------------------|--------------------------------|
| 1 | Lens-14" F | 680-37-36 | S14660-40 |
| 2 | Pivot-Lens Tilt | 562-64-01 | 13842-40 |
| 3 | Mirror, Front Surface | 680-69-18 | 14716-40 |
| 4 | Screw-Shoulder, Head Pivot | 540-30-07 | 13265-40 |
| 5 | Head Assembly-14" F | 10-15730 | S10236-40 |
| 6 | Arm Assembly | 10-21141 | S10465-40 |
| 7 | Plug, Post | 570-42-50 | 13971-41 |
| 8 | Post Assembly | 10-17830 | S10339 |
| 9 | Yoke Assembly, Focus | | S10686-40 |
| 10 | Knob-Focus | 568-05-05 | 13910-40 |
| 11 | Screw, Mach | 519-16-32-01 | 13050-40 |
| 12 | Frame, Fresnel (4 pcs.) | 10-15776 | 10256-40 |
| 13 | Screw-Thumb, Cover Lock | 540-33-17 | 13277-40 |
| 14 | Clamp, Post | 555-44-10 | 13741-40 |
| 15 | Plug-Post Locating | 10-17768 | 10322-40 |
| 16 | Screw-Tap | 538-23-24-05 | 13232-01 |
| 17 | Impeller-4 1/2" Dia. | 620-40-13 | 14466-40 |
| 18 | Rubber Foot Kit (4 Bumpers, 4 Screws) | 10-17723 | S10307-40 |
| 19 | Strain Relief Bushing | 600-82-29 | 14343 |
| 20 | Knob-Rd. Screw | 568-20-21 | 13920-40 |
| 21 | Top Cover & Fresnel Frame Ass'y. | 10-17794-25 | S10334-42 |
| 22 | Fresnel Lens-14" F Units | 680-32-27 | 14647-40 |
| 23 | Spring-Friction | 10-21088 | 10462-40 |
| 24 | Focus Shaft Ass'y. | 10-21084 | S10459-40 |
| 25 | Visor-Top | 10-15813-01 | 10278-41 |
| 26 | Visor-Bottom | 10-15813-02 | 10278-42 |
| 27 | Slide-Stem, Nylon | 570-34-03 | 13956-40 |
| 28 | Washer-Bow | 549-20-07 | 13549-40 |
| 29 | Glass-Cover | 680-87-49 | 14748-40 |
| 30 | Cover Glass Retainer Kit (4 Retainers, 4 Keps Nuts) | 10-17724 | 10308-40 |
| 31 | Mirror and Tape Ass'y. | 10-46923 | S11736-40 |
| 32 | Frame-Motor Mtg. | 10-46925 | 11737 |
| 33 | Roll Attachment | 17590 | 9540-1 |
| 34 | Spring-Roll Attachment | 562-72-27 | 13857-40 |
| 35 | Disc-Drive | 10-03956 | 10022-40 |
| 36 | Spool-Take-up | 562-17-02 | 13832-40 |
| 37 | Acetate Roll | 7405 | 9500-5 |
| 38 | Crank Ass'y.-Roll | 10-03952 | S10020-40 |
| 39 | Screw-Shoulder Thumb | 540-33-13 | 13276-41 |
| 40 | Washer-Retg. | 549-10-01 | 13544-40 |
| 41 | Lamp-360 Watts, 82 Volts | 625-30-32 | 14467-40 |
| 42 | Lamp Holder | 10-46565 | S11601-40 |
| 43 | Thermal Switch | 610-22-24 | 14443-40 |
| 44 | Motor-115 Volts | 615-20-52 | 14453-40 |
| 44A | Motor-240 Volts | 615-22-33 | 14455 |
| 45 | Microswitch | 610-18-21 | 14436-40 |
| 46 | Switch-Rocker | 10-46518 | S11565-01 |
| 47 | Resistor-1.3 Ohms | 630-57-13-84 | 14511 |
| 48 | Rectifier | 635-70-22 | 14543-40 |
| 49 | Cord Set-Male 120 Volts | 10-46537 | S11576 |
| 49A | Cord Set-Male 240 Volts | 10-46520 | S11566 |
| 50 | Diode, LED | 625-95-05 | 14486-40 |
| 51 | Resistor & Connector Ass'y. (120V) | 10-46553 | S11590-40 |
| 52 | Switch | 610-18-39 | 14437-40 |
| 53 | Screw, Tap | 538-19-16-06 | 13239-40 |



REPLACEMENT PARTS LIST PS-360-LCP

| REF. NO. | DESCRIPTION | DA-LITE PART CAT. NO. |
|----------|--|-----------------------|
| 1 | Lens-14" F | 98-1466-040 |
| 1A | Lens, 12½" F | 90-1465-840 |
| 2 | Pivot-Lens Tilt | 90-1384-240 |
| 3 | Mirror, Front Surface | 90-1471-640 |
| 4 | Screw-Shoulder, Head Pivot | 90-1326-540 |
| 5 | Head Assembly-14" F | 98-1023-640 |
| 5A | Head Assembly-12½" F | 98-1034-240 |
| 6 | Arm Assembly | 98-1045-440 |
| 7 | Plug, Post | 90-1182-700 |
| 8 | Post Assembly, 14" FL | 98-1146-841 |
| 8A | Post Assembly, 12½" FL | 98-1146-845 |
| 9 | Yoke Assembly, Focus | 98-1068-640 |
| 10 | Knob-Focus | 98-1391-040 |
| 11 | Screw, Mach | 90-1305-040 |
| 12 | Frame, Fresnel Kit | 98-1475-800 |
| 13 | Keeper | 90-1394-945 |
| 14 | Latch | 90-1394-944 |
| 15 | Pin-Post Locating | 90-1028-340 |
| 16 | Ring-Retaining | 90-1373-140 |
| 17 | Impeller-4½" Dia. | 90-1446-640 |
| 18 | Rubber Foot Kit (4 Bumpers, 4 Screws) | 98-1030-740 |
| 19 | Strain Relief Bushing | 90-1434-300 |
| 20 | Knob-Rd. Screw | 90-1392-040 |
| 21 | Top Cover & Fresnel Frame Ass'y. | 98-1183-240 |
| 22 | Fresnel Lens-14" F Units | 90-1464-740 |
| 22A | Fresnel Lens, 12½" F | 90-1464-840 |
| 23 | Spring-Friction | 90-1046-240 |
| 24 | Focus Shaft Ass'y. | 98-1045-940 |
| 25 | Visor-Top | 90-1027-841 |
| 26 | Visor-Bottom | 90-1027-842 |
| 27 | Slide-Stem, Nylon | 90-1395-640 |
| 28 | Washer-Bow | 90-1354-940 |
| 29 | Class-Cover | 90-1474-840 |
| 30 | Cover Glass Retainer Kit (4 Retainers, 4 Keps Nuts) | 90-1030-840 |
| 31 | Mirror and Holder Ass'y. | 98-1153-140 |
| 32 | Frame-Motor Mtg. | 90-1173-700 |
| 33 | Roll Attachment | 43-9540-150 |
| 34 | Spring-Roll Attachment | 90-1385-740 |
| 35 | Washer, Roll Attachment | 90-1047-300 |
| 36 | Spool-Take-up | 90-1383-240 |
| 37 | Acetate Roll | 43-9500-500 |
| 38 | Knob | 98-1391-040 |
| 39 | Screw | 90-1305-040 |
| 40 | Shaft & Cap Ass'y. | 98-1047-500 |
| 41 | Lamp-360 Watts, 82 Volts | 90-1446-740 |
| 42 | Lamp Holder Ass'y. | 98-1160-140 |
| 43 | Thermal Switch | 90-1444-340 |
| 44 | Motor-115 Volts | 90-1445-340 |
| | Motor w/Terminals-115 Volts | 98-1174-511 |
| 44A | Motor-240 Volts | 90-1445-500 |
| | Motor w/Terminals-240 Volts | 98-1174-611 |
| 45 | Microswitch | 90-1443-640 |
| 46 | Switch-Rocker | 98-1156-502 |
| 47 | Resistor-1.3 Ohms | 90-1451-100 |
| 48 | Rectifier | 90-1454-340 |
| 48A | Module Ass'y. w/Terminals-240 Volts | 98-1155-901 |
| 49 | Cord Set-Male 120 Volts | 98-1183-600 |
| 49A | Cord Set-Male 240 Volts | 98-1156-600 |
| 49B | Cord Set Ass'y.-R Series | 98-1183-601 |
| 50 | Diode, LED | 90-1448-640 |
| 51 | Resistor & Connector Ass'y. (120V) | 98-1159-040 |
| 52 | Switch | 90-1443-740 |
| 53 | Screw, Tap | 90-1323-940 |
| 54 | Cover & label Ass'y. | 98-1183-521 |
| 55 | Handle | 90-1392-940 |
| 57 | Thumbscrew | 90-1392-041 |
| 58 | Latch | 90-0682-891 |
| 59 | Duplex Receptacle | 90-1197-100 |
| 60 | Circuit Breaker | 90-1197-200 |

