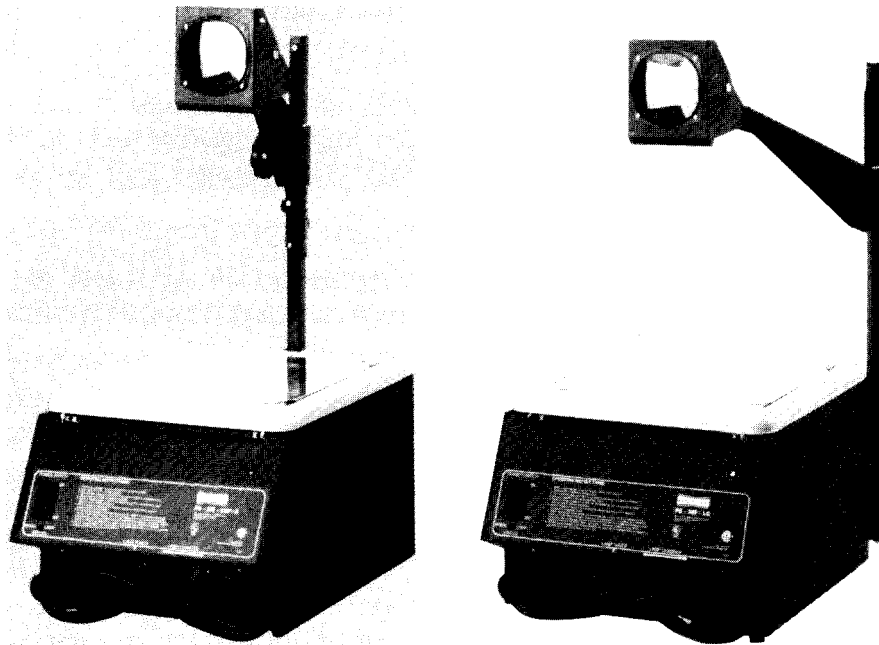




## OVERHEAD PROJECTORS



INSTRUCTION BOOK FOR

PS-360-LC

PS-360-LC-R

PS-360-LCP-R

STANDARD MODELS (110/120 Vac)  
DUPLEX RECEPTACLE MODELS

**DA-LITE SCREEN COMPANY, INC.**  
3100 North Detroit Street  
Post Office Box 137  
Warsaw, Indiana 46581-0137  
Phone: 219/267-8101  
800-622-3737  
Fax: 219/267-7804

The "Safeguards" statement reproduced below is in accordance with Underwriters Laboratories "Standard for Safety, UL 122, Photographic Equipment."

## **IMPORTANT SAFEGUARDS©**

When using your photographic equipment, basic safety precautions should always be followed, including the following:

1. Read and understand all instructions.
2. Close supervision is necessary when any appliance is used by or near children. Do not leave appliance unattended while in use.
3. Care must be taken as burns can occur from touching hot parts.
4. Do not operate appliance with a damaged cord or if the appliance has been dropped or damaged-until it has been examined by a qualified serviceman.
5. Do not let cord hang over edge of table or counter or touch hot surfaces.
6. If an extension cord is necessary, a cord with a suitable current rating should be used. Cords rated for less amperage than the appliance may overheat. Care should be taken to arrange the cord so that it will not be tripped over or pulled.
7. Always unplug appliance from electrical outlet when not in use. Never yank cord to pull plug from outlet. Grasp plug and pull to disconnect.
8. Let appliance cool completely before putting away. Loop cord loosely around appliance when storing.
9. To protect against electrical shock hazards, do not immerse this appliance in water or other liquids.
10. To avoid electric shock hazard, do not disassemble this appliance, but take it to a qualified serviceman when some service or repair work is required. Incorrect reassembly can cause electric shock hazard when the appliance is used subsequently.

## **SAVE THESE INSTRUCTIONS**

© Copyrighted Underwriters Laboratories  
"Standard for Safety, UL 122, Photographic Equipment"

## INTRODUCTION

Congratulations! You have just purchased one of the finest overhead projectors available today. All PS-360 overhead projectors are manufactured to Da-Lite's high quality standards. As illustrated in this instruction manual, these projectors will allow you all the flexibility and reliability you will need for trouble-free presentations.

This instruction manual explains all three projectors in the PS-360 series. While these projectors have operating and maintenance instructions printed on them, please read this manual thoroughly so you can optimize usage of the many features your projector has to offer.

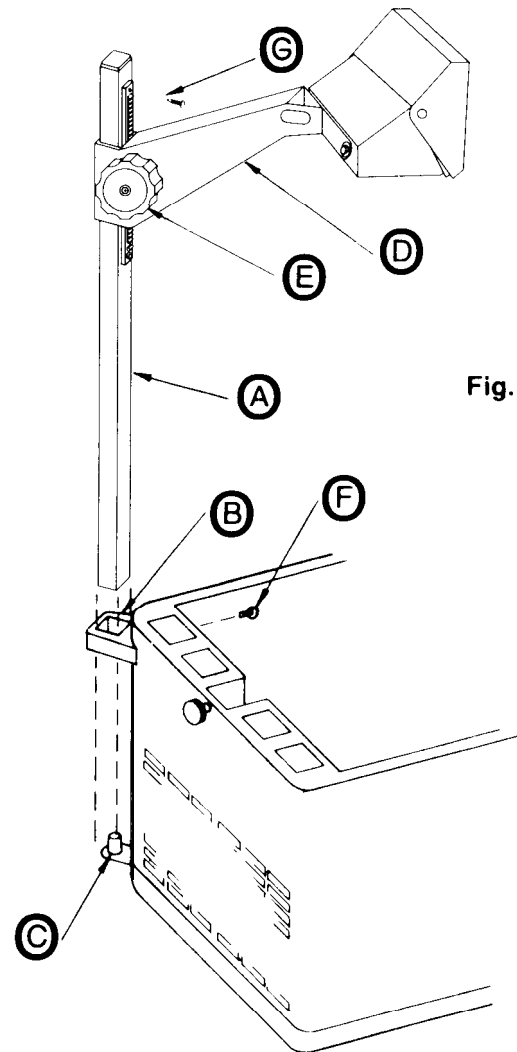


Fig. 1

## ASSEMBLY INSTRUCTIONS: PS-360-LC & LC-R

1. Remove the head and arm assembly from the shipping carton and carefully place aside. Remove the projector from the carton and place on a suitable table.
2. Open the projection stage cover.
3. Loosen the hex head slotted screw marked (F).
4. Remove screw (G). Hold the rack against post (A) and slide head and arm assembly (D) over the top of the post and onto the rack. Turn adjustment knob (E) to lower head and arm assembly. Replace screw (G). DO NOT overtighten screw.
5. Insert the post with the head and arm assembly through the post clamp (B) and push down until post rests firmly over post locating plug (C).
6. Tighten screw (F) inside projector box to secure post.
7. Close and lock the projection stage cover.

In order to use the lamp changer mechanism, install a second lamp, ANSI code ENX.

## ASSEMBLY INSTRUCTIONS: PS-360-LCP-R

1. Remove the head and arm assembly from the shipping carton and carefully place aside. Remove the projector from the carton and place on a suitable table.
2. Unlatch the center latch on the projector and remove the top cover.
3. Follow the illustrated assembly and storage procedures that are located on the inside of the top cover.

In order to use the lamp changer mechanism, install a second lamp, ANSI code ENX.

## OPERATING INSTRUCTIONS

1. Slide lamp changer lever to extreme left or right position.
2. Turn on/off switch to "on" position.
3. The indicator lamp will light only if the spare lamp is in good condition.
4. Place projection copy on projection stage.
5. Raise or lower image on screen by tilting top portion of projection head. (Do not touch optical elements.)
6. Focus image on screen by turning the focusing knob, which raises or lowers the projection head.
7. Lamp Tuning: At some projector distances the corners of the projected image may be tinted blue or brown. This may be corrected, if necessary, by unlocking (turn counterclockwise) the lamp tuner knob below this panel and slowly sliding the knob forward or back. When optimum image is achieved, relock tuning knob.
8. To use lamp changer, turn power switch "off." Slide lamp changer lever to opposite extreme position. Turn power switch "on."

## LAMP CHANGER INSTRUCTIONS

PS-360-LC, PS-360-K-R & PS-360-LCP-R

Uninterrupted service during presentation is permitted with the lamp changer which allows you to switch from a burned out lamp to a new one, merely by sliding a lever on the outside of the case. A highly visible LED gives instant indication of the spare lamp condition (use of lamp changer requires prior installation of second lamp, ANSI code ENX).

To use lamp changer, turn power switch "off." Slide lamp changer lever to the opposite extreme position. Turn power switch "on."

Relamping and cleaning instructions are indicated inside the projector (all models).

## ACCESSORIES

DESCRIPTION	DA-LITE NUMBER
Roll Feed Attachment (all models)	42168
Acetate Roll (10½" x 50')	42159
Glare Shield-Corner Post (PS-360 and G-I 00)	42170
Dust Cover (PS-360 and G-I 00)	42173
Spare Lamp (360W, 82V, ANSI Code ENX)	42158

The Projection Table indicates the size of the screen image at various projection distances when using a 10" x 10" transparency. This will aid in determining where to set up the projector.

PS-360-LC Projection Table

Projection Distance* (Feet)		4	5	6	7	8	9	10	11
Size of Screen Image from 10" x 10" slide* * (inches)	14" Lens			46 x 46	55 x 55	63 x 63	72 x 72	80 x 80	89 x 89
	12" Lens	34 x 34	43 x 43	53 x 53	62 x 62	72 x 72	82 x 82	91 x 91	101 x 101

\*Distance is measured from front of projector to screen.

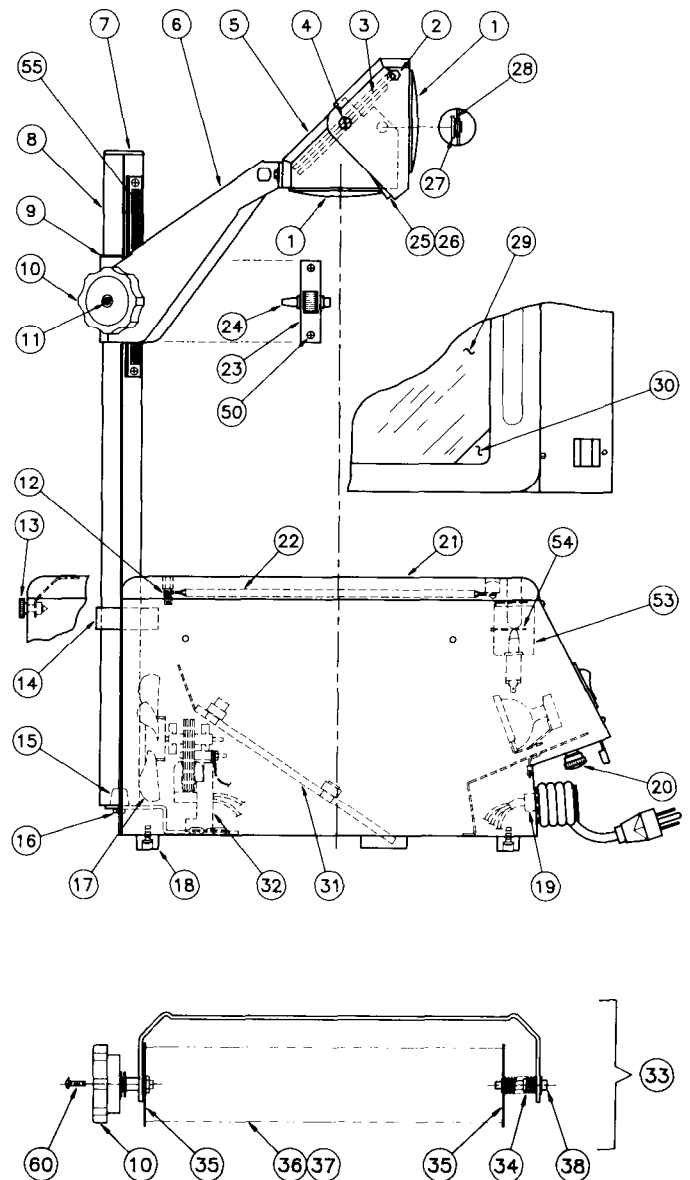
\*\*All dimensions are ±5%.

NOTE: PS-360-LC-"R" series equipment is supplied with duplex receptacle and 7 amp circuit breaker (UL and CSA listed system).

## PS-360-LC & PS-360-LCR REPLACEMENT PARTS LIST

REF. NO.	DESCRIPTION	DA-LITE NUMBER
1	Lens, 14" F	60083
2	Pivot, Lens Tilt	51174
3	Mirror, Front Surface	51735
4	Screw, Shoulder, Head Pivot	50782
5	Head Assembly, 14" F	59268
6	Arm Assembly (Prior to Feb 93)	59398
	Arm Assembly	75926
7	Plug, Post	51288
8	Post Assembly, 14" FL (Prior to Feb 93)	59308
	Post Assembly, 14" FL	75932
9	Yoke Assembly, Focus (Prior to Feb 93)	59495
	Yoke Assembly, Focus	76575
10	Knob, Focus	60077
11	Screw, 6-32 x 1/2 (Prior to Feb 93)	50637
	Screw, Machine	52702
12	Frame, Fresnel Kit	60086
13	Screw, Thumb, Cover Lock	50801
14	Clamp, Post	51103
15	Plug, Post Locating	49065
16	Screw, Tap	50747
17	Impeller, 4 1/2" Dia	51564
18	Rubber Foot Kit (4 Bumpers, 4 Screws)	59303
19	Strain Relief Bushing	51506
20	Knob, Round Screw	51226
21	Top Cover & Fresnel Frame Assembly (Prior to Dec 1992)	59317
	Top Cover & Fresnel Frame Assembly	59319
22	Fresnel Lens, 14" F	51663
23	Spring, Friction (Prior to Feb 93)	49192
	Plate, Friction	76287
24	Focus Shaft Assembly (Prior to Feb 93)	59395
	Gear, Spur	75928
25	Visor, Top	49021
26	Visor, Bottom	49022
27	Glide, Stem, Nylon	51267
28	Washer, Bow	50966
29	Glass, Cover	51768
30	Cover Glass Retainer Kit (4 Retainers, 4 Pal Nuts)	49047
31	Mirror & Holder Assembly	59696
32	Frame, Motor Mounting	50218
33	Roll Attachment	42168
34	Spring, Roll Attachment	51190
35	Washer, Roll Attachment	49209
36	Spool, Take-up	51163
37	Acetate Roll	42159
38	Shaft & Cap Assembly	59404
39	Lamp, 360 Watts, 82 Volts	42158
40	Lamp Holder Assembly (Prior to Feb 1992)	75867
	Lamp Holder Assembly (Feb thru Nov 1992)	59763
	Lamp Holder Assembly	76083
41	Switch, Thermal	51548
42	Motor, 120 Volts	51555
	Motor w/Terminals, 120V (Prior to Feb 1992)	59894
	Motor w/Terminals, 120V	75866
43	Microswitch	51541
44	Switch, Rocker (Prior to Jan 1992)	75868
	Switch, 10 AMP Tungsten rated	74357

REF. NO.	DESCRIPTION	DA-LITE NUMBER
45	Rectifier	51606
46	Cord Set Assembly, Male 120V	59738
46A	Cord Set Assembly R Series (Prior to Feb 1992)	59703
	Cord Set Assembly R Series	59702
47	Diode, LED	51585
48	Resistor & Connector Assembly 120V	59748
49	Switch	51542
50	Screw, Tap	52703
51	Duplex Receptacle	50450
52	Circuit Breaker	50451
53	Microswitch Assembly (Prior to Dec 1992)	59280
	Housing Assembly (Prior to Dec 1992)	59278
	Microswitch Housing	49014
54	Plate, Microswitch Actuator	72557
55	Gear, Rack	75933
60	Screw, Machine	50637



## PS-360-LCPR REPLACEMENT PARTS LIST

REF. NO.	DESCRIPTION	DA-LITE NUMBER
1	Lens, 14" F	60083
2	Pivot, Lens Tilt	51173
3	Mirror, Front Surface	51735
4	Screw, Shoulder, Head Pivot	50782
5	Head Assembly, 14" F	68356
6	Arm Assembly (Prior to Oct 92)	59392
	Arm Assemblv	75931
7	Plug, Post	51288
8	Post Assemblv. 14" FL (Prior to Feb 93)	<b>59651</b>
	Post Assembly, 14" FL	76205
9	Yoke Assembly, Focus (Prior to Oct 92)	59495
	Yoke Assemblv. Focus	76575
10	Knob, Focus	60077
11	Screw, 6-32 x 1/2 (Prior to Feb 93)	50637
	Screw, Machine	52702
12	Frame, Fresnel Kit	60086
13	Keeper	51260
14	Latch	<b>51259</b>
15	Pin, Post Locating	<b>49026</b>
16	Ring, Retaining	<b>51091</b>
17	Impeller, 4 1/2" Dia	51564
18	Rubber Foot Kit (4 Bumpers, 4 Screws)	59303
19	Strain Relief Bushing	51506
20	Knob, Round Screw	51226
21	Top Cover & Fresnel Frame Assembly (Prior to Dec 1992)	59955
	Top Cover & Fresnel Frame Assembly	76084
22	Fresnel Lens, 14" F	51663
23	Spring, Friction (Prior to Feb 93)	49192
	Plate, Friction	76287
24	Focus Shaft Assembly (Prior to Dec 92)	59395
	I Gear, Spur	75928
25	Visor, Top	4902 <b>1</b>
26	Visor, Bottom	49022
27	Glide, Stem, Nylon	51267
28	Washer, Bow	50966
29	Glass, Cover	51768
30	Cover Glass Retainer Kit (4 Retainers, 4 Pal Nuts)	49047

REF. NO.	DESCRIPTION	DA-LITE NUMBER
31	Mirror & Holder Assembly	59696
32	Frame, Motor Mounting	50218
33	Roll Attachment	42168
34	Spring, Roll Attachment	51190
35	Washer, Roll Attachment	49209
36	Spool, Take-up	51163
37	Acetate Roll	42159
38	Shaft & Cap Assembly	59404
39	Lamp, 360 Watts, 82 Volts	42158
40	Lamp Holder Assembly (Prior to Feb 1992)	75867
	Lamp Holder Assembly (Feb thru Nov 1992)	59763
	Lamp Holder Assembly	76083
41	Switch, Thermal	51548
42	Motor, 120 Volts	51555
	Motor w/Terminals, 120v (Prior to Feb 1992)	59894
	Motor w/Terminals, 120V	75866
43	Microswitch	51541
44	Switch, Rocker (Prior to Jan 1992)	75868
	Switch, 10 AMP Tungsten Rated	74357
45	Rectifier	51606
46	Cord Set Assembly R Series (Prior to Feb 1992)	75869
	Cord Set Assemblv R Series	59960
47	Diode, LED	51585
48	Resistor & Connector Assemblv 120V	59748
49	Switch	51542
50	Screw, Tap	52703
51	Duplex Receptacle	50450
52	Circuit Breaker	50451
53	Cover & Label Assembly	59958
54	Handle	51235
55	Knob, Round Screw	51225
56	Latch	47606
57	Microswitch Assembly (Prior to Dec 1992)	59280
	Housing Assembly (Prior to Dec 1992)	59278
	Microswitch Housing	49014
58	Plate, Microswitch Actuator	72557
59	Gear, Rack	75933
60	Screw, Machine	50637

