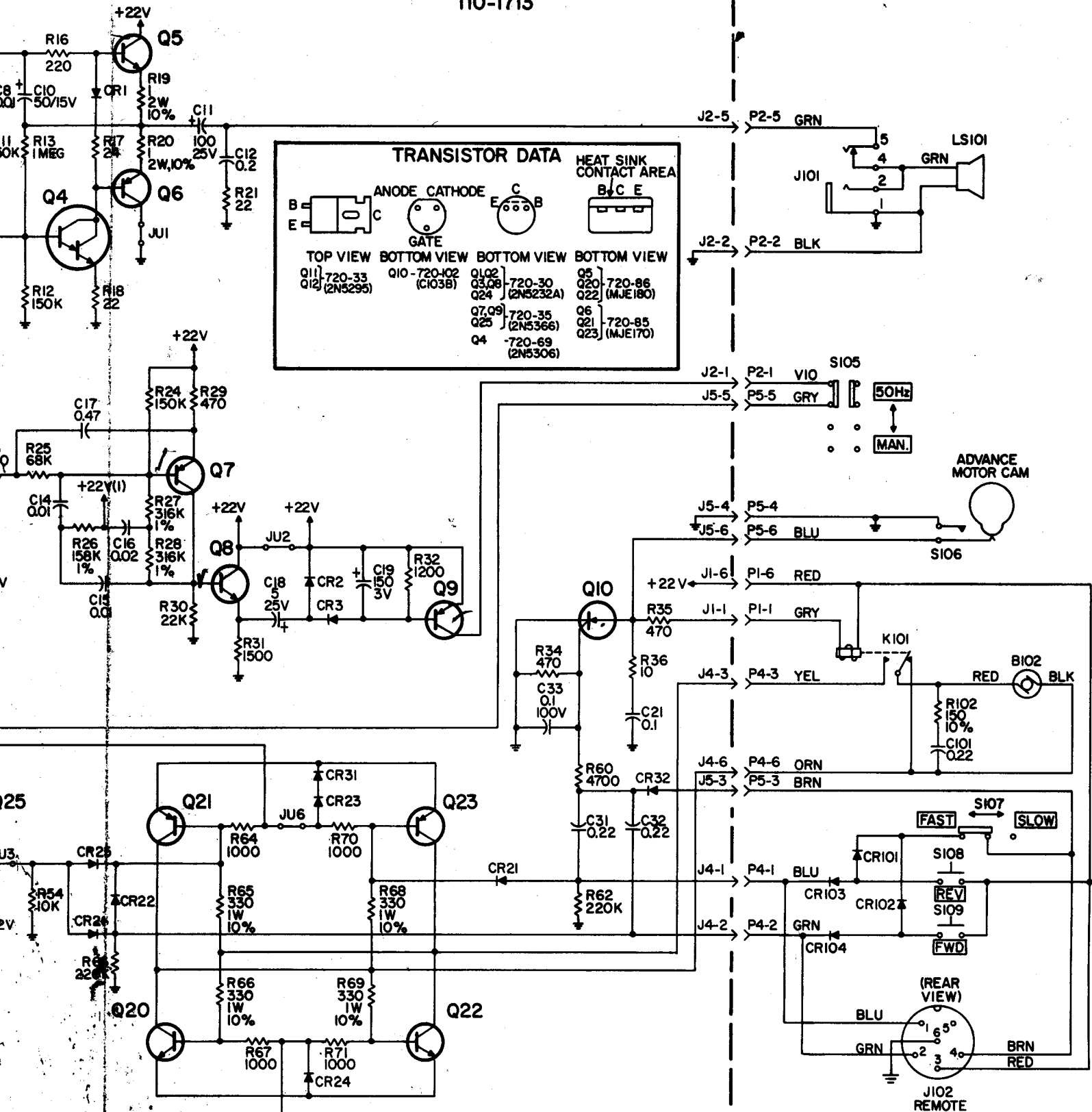
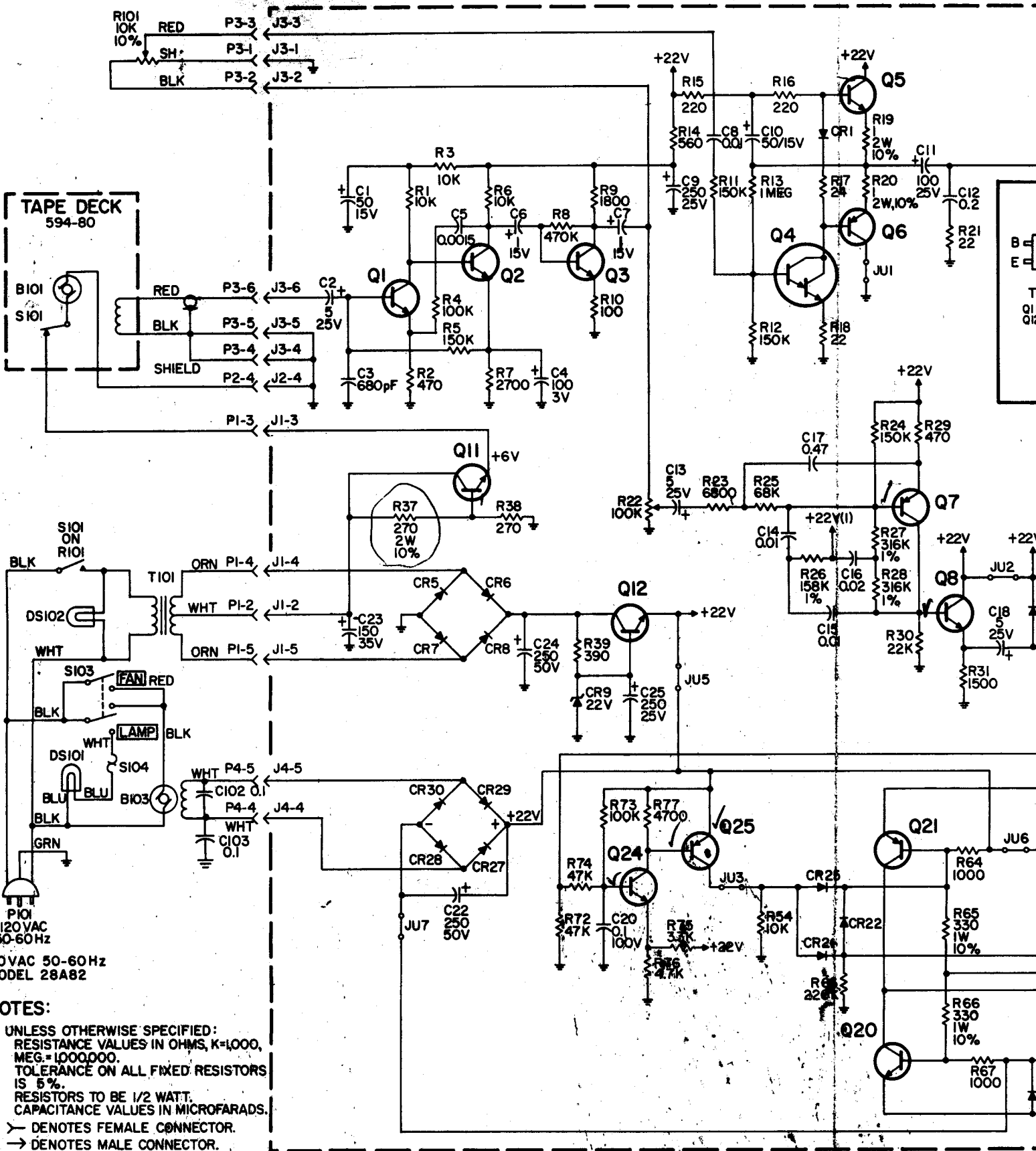


AMPLIFIER AND POWER SUPPLY 110-1713



J102 NOTE: For serial numbers before 680,000 the green wire (FWD) goes to pin 1 and the blue wire (REV) goes to pin 2. Only the 110-1727 Remote Control can be used on these projectors.

**FIGURE #4
MICROMATIC
MODELS 28A81, 28A81-5, 28A82**



240VAC 50-60Hz
MODEL 28A82

NOTES:

1. UNLESS OTHERWISE SPECIFIED:
RESISTANCE VALUES IN OHMS, K=1000,
MEG.=1000000.
TOLERANCE ON ALL FIXED RESISTORS
IS 5%.
RESISTORS TO BE 1/2 WATT.
CAPACITANCE VALUES IN MICROFARADS.
2. ♀ DENOTES FEMALE CONNECTOR.
3. ♂ DENOTES MALE CONNECTOR.