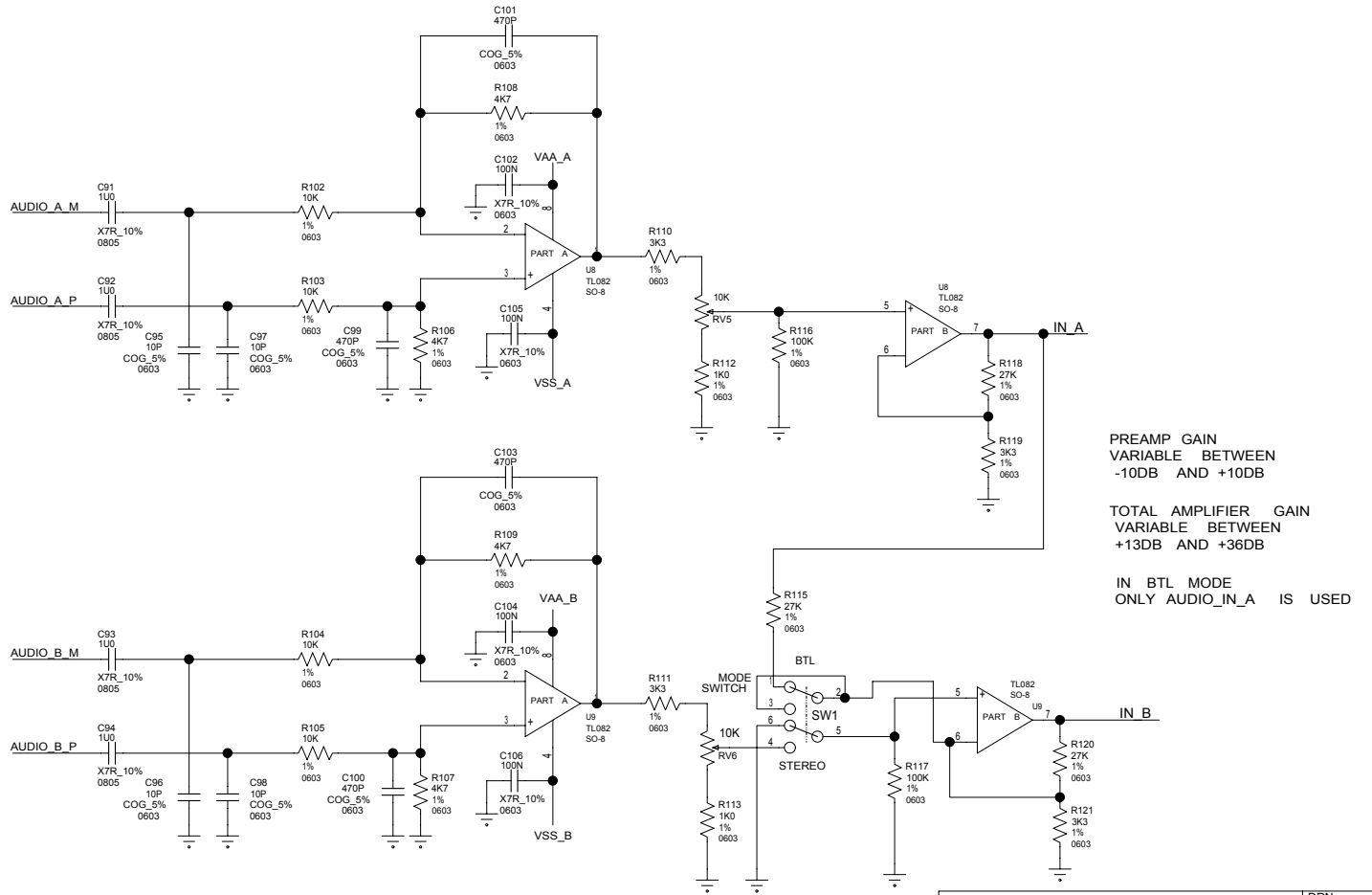


TITLE		DRN
DRG No.		DATE
VERSION		CHK
SHT		DATE
OF		



PREAMP GAIN
VARIABLE BETWEEN
-10DB AND +10DB

TOTAL AMPLIFIER GAIN
VARIABLE BETWEEN
+13DB AND +36DB

IN BTL MODE
ONLY AUDIO_IN_A IS USED

INPUT STAGE SCHEMATICS

TITLE		DRN
DRG No.		DATE
VERSION		CHK
SHT OF		DATE