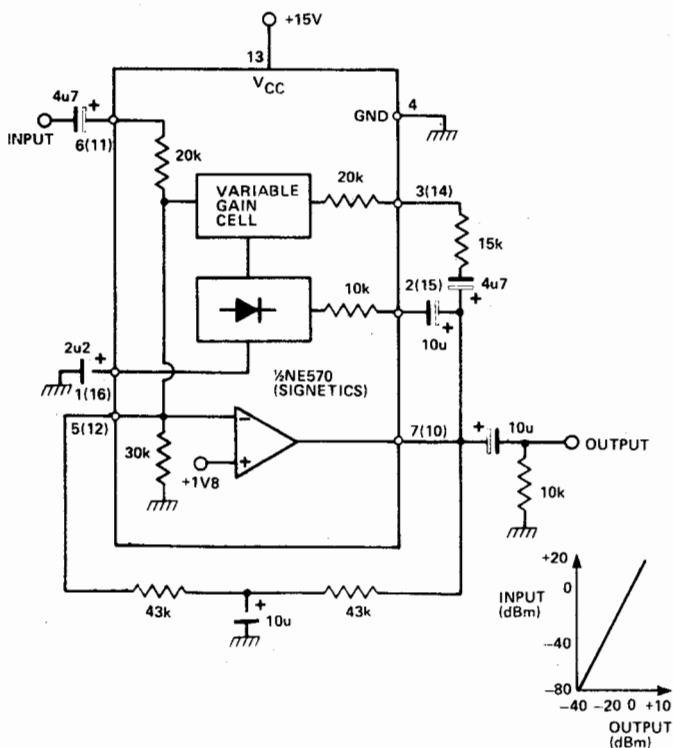


43

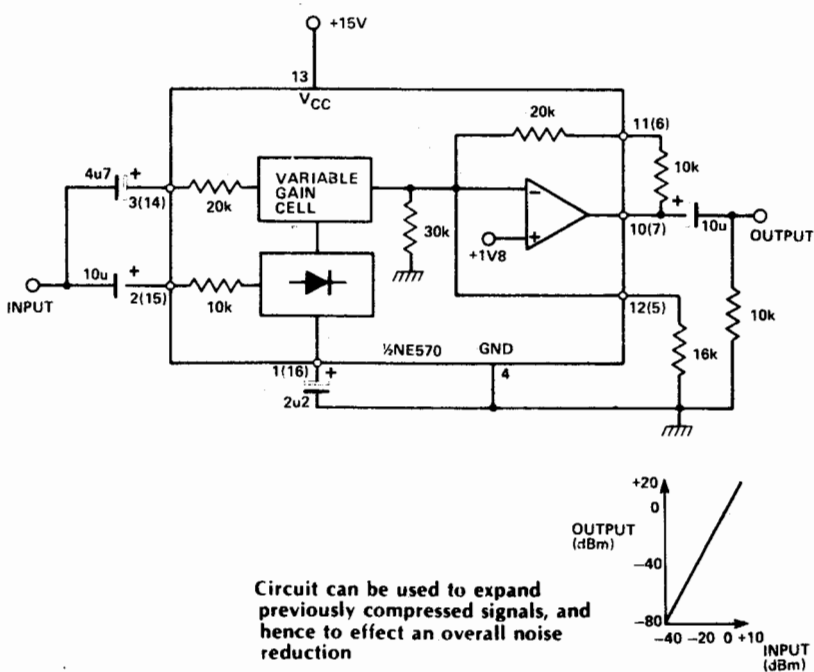
Two-to-one Compressor



The pin numbers in brackets refer to the second circuit in the IC. Circuit can be used as a preconditioner in a noise reduction system.

44

Two-to-one Expander



Circuit can be used to expand previously compressed signals, and hence to effect an overall noise reduction