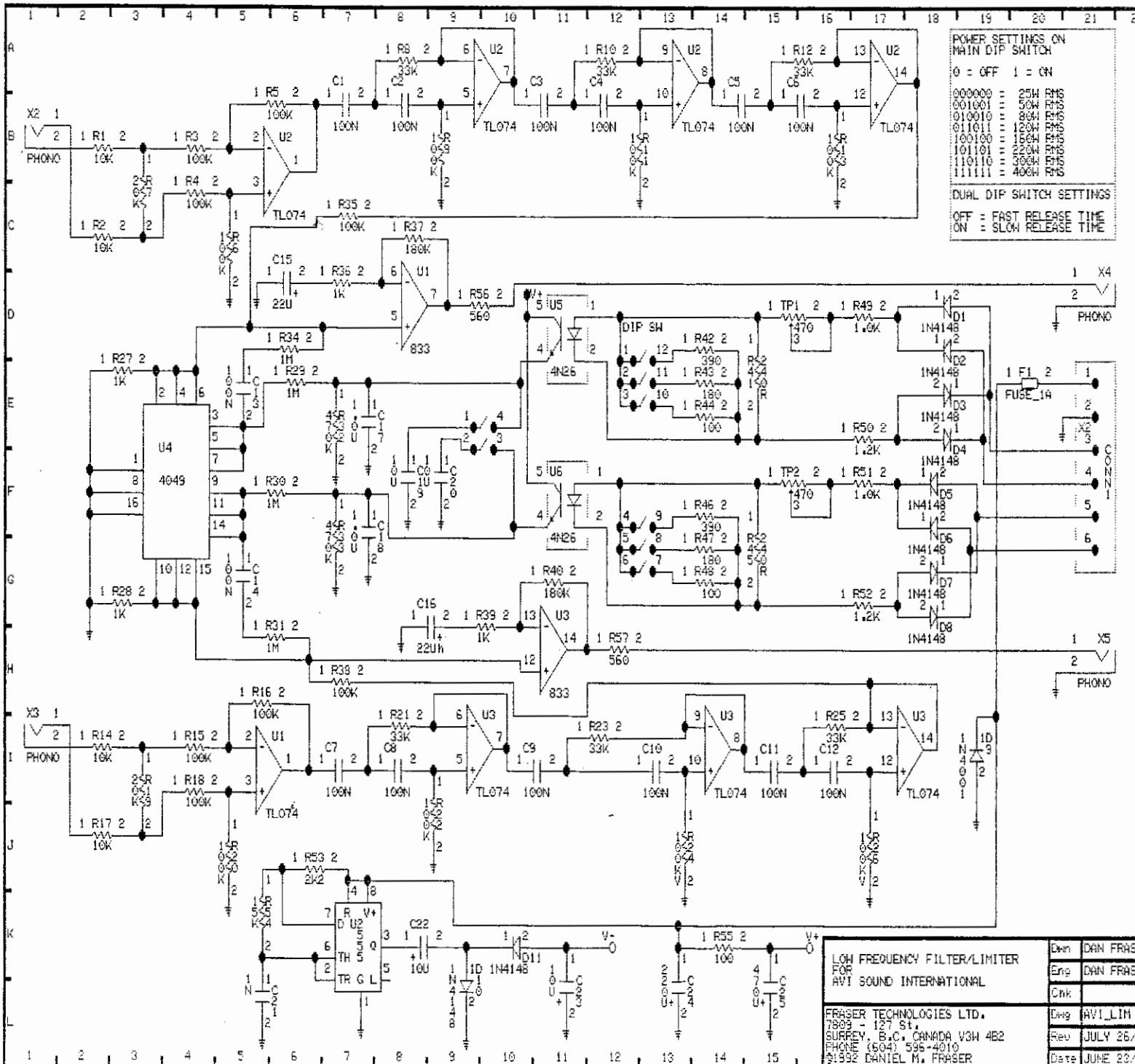


POWER SETTINGS ON	
0 = OFF	1 = ON
MAIN DIP SWITCH	
00000000	25M RMS
00100010	50M RMS
01000101	80M RMS
01101011	100M RMS
10010100	150M RMS
10110101	200M RMS
11011101	300M RMS
11111101	400M RMS
DUAL DIP SWITCH SETTINGS	
OFF = FAST RELEASE TIME	
ON = SLOW RELEASE TIME	

FRASER TECHNOLOGIES LTD.  
 7809 127 St.  
 Surrey, B.C. CANADA V3M 4B2  
 PHONE (604) 596-4010  
 FAX (604) 596-4011  
 01932 DANIEL M. FRASER

DRN	DAN FRASER
ENG	DAN FRASER
CHK	
DWG	PV.LTH
REV	JULY 28/92
DATE	JUNE 23/92

LOW FREQUENCY FILTER/LIMITER  
 FOR  
 AVI SOUND INTERNATIONAL



POWER SETTINGS ON MAIN DIP SWITCH  
 0 = OFF 1 = ON

000000	=	25W RMS
001001	=	50W RMS
010010	=	80W RMS
011011	=	120W RMS
100100	=	150W RMS
101101	=	220W RMS
110110	=	300W RMS
111111	=	400W RMS

DUAL DIP SWITCH SETTINGS  
 OFF = FAST RELEASE TIME  
 ON = SLOW RELEASE TIME

LOW FREQUENCY FILTER/LIMITER  
 FOR  
 AVI SOUND INTERNATIONAL

Desg	DAN FRASE
Eng	DAN FRASE
Chk	
Desg	AVI_LIM
Rev	JULY 26/78
Date	JUNE 23/78

FRASER TECHNOLOGIES LTD.  
 7803 - 127 St.  
 SURREY, B.C., CANADA V3H 4E2  
 PHONE (604) 595-4010  
 ©1992 DANIEL M. FRASER