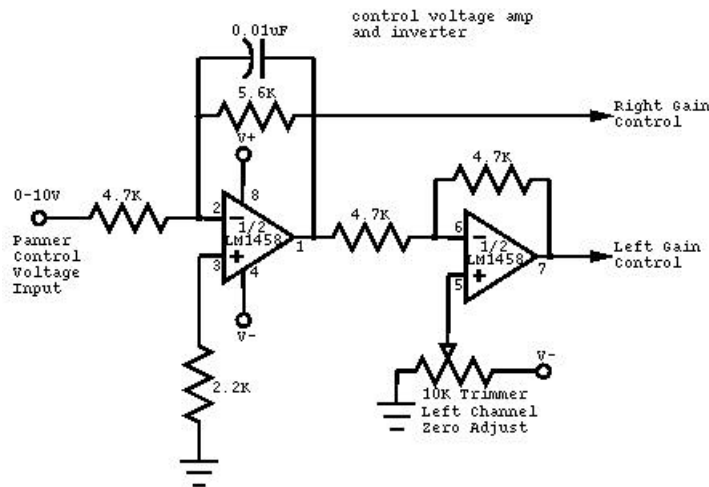
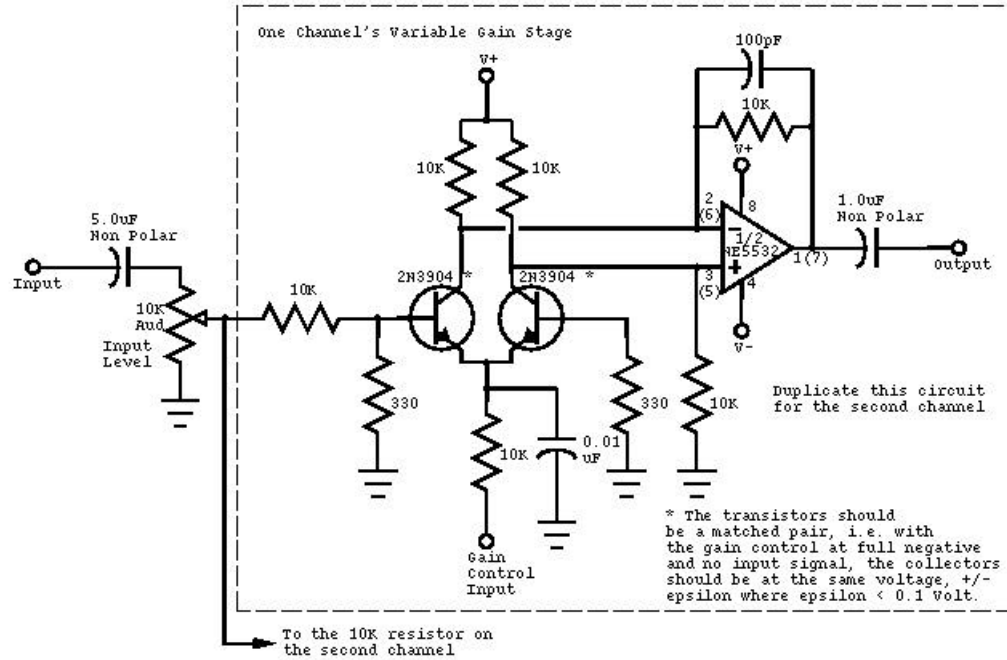
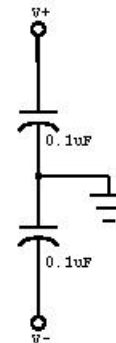


circuit name: Panning Circuit - Voltage Controlled disclaimer

© G. Forrest Cook 1994
 cook@stout.atd.ucar.edu



The power supply is +/- 15 VDC
 power supply filter



Parts List:			
Component:	Value:	Datasheet:	Qty:
Resistor	10K	Not Available	06
Resistor	10K Pot	Not Available	02
Resistor	330	Not Available	02
Resistor	5.6K	Not Available	01
Resistor	4.7K	Not Available	02
Resistor	2.2K	Not Available	01
Capacitor	5uF	Not Available	01
Capacitor	1uF	Not Available	01
Capacitor	0.01uF	Not Available	02
Capacitor	100pF	Not Available	01
Capacitor	0.1uF	Not Available	02
Transistor	2N3904	Available	02
IC	NE5532	Available	01
IC	LM1458	Available	02

 **back**