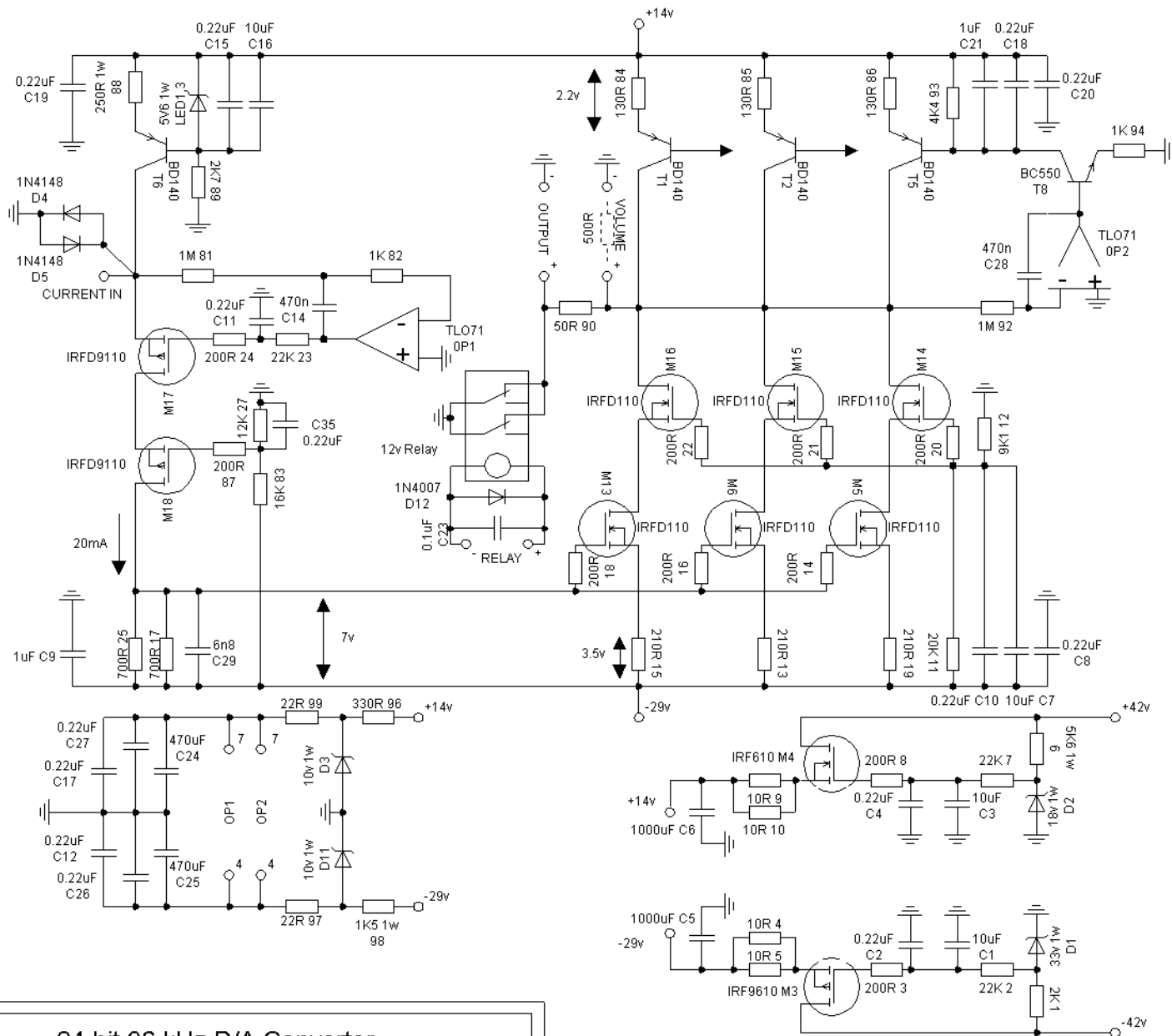


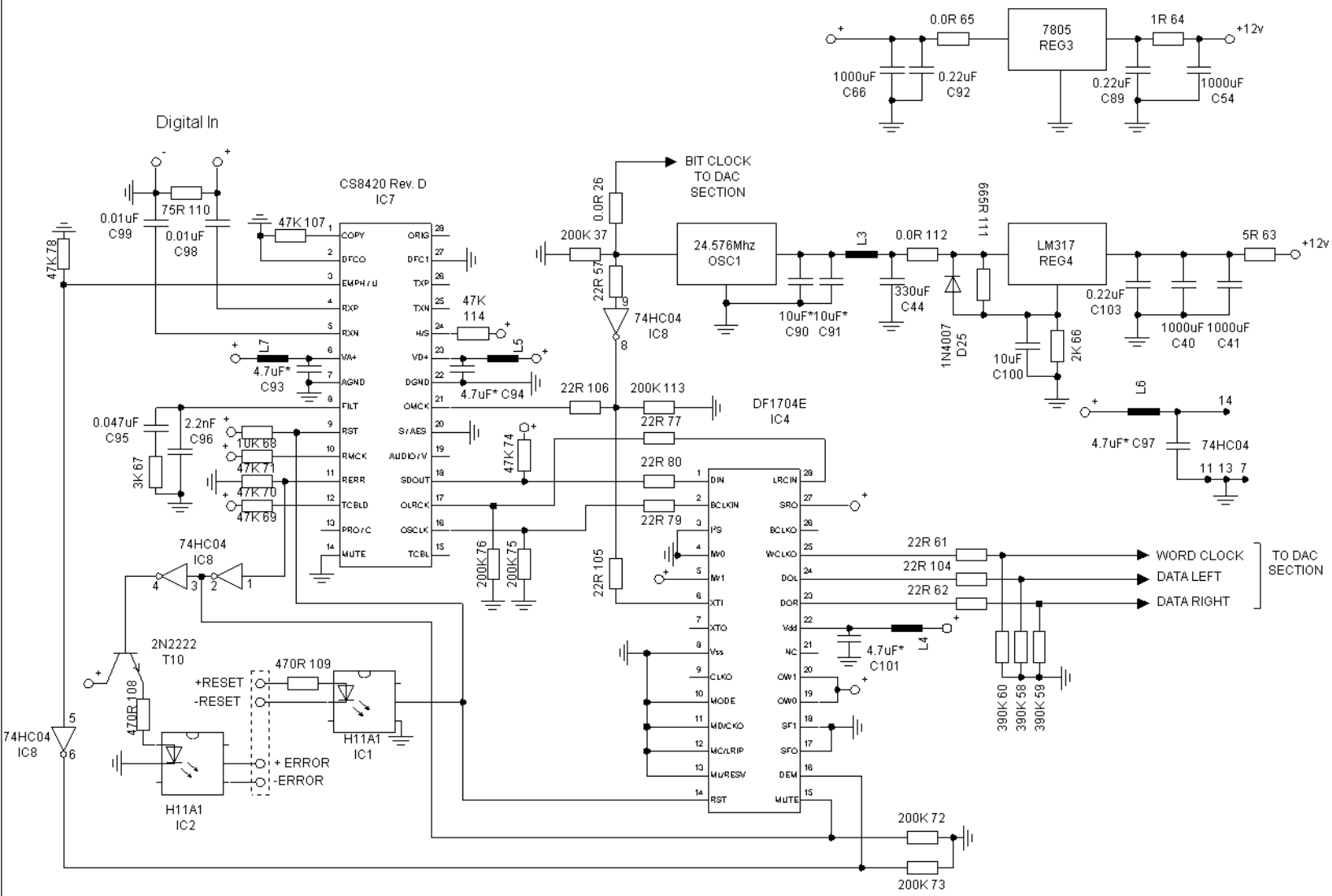
24 bit 96 Khz D/A Converter
DAC Stage LEFT CHANNEL

Note: * - Aluminium Electrolytic
 -PCM1704s are set to invert (the output stage re-inverts the signal so it is correct).

Design By David Broadhurst
For Non Profit use only.
Copyright (c) 2001 David Broadhurst



24 bit 96 kHz D/A Converter
 Analogue Output Stage
 Left channel



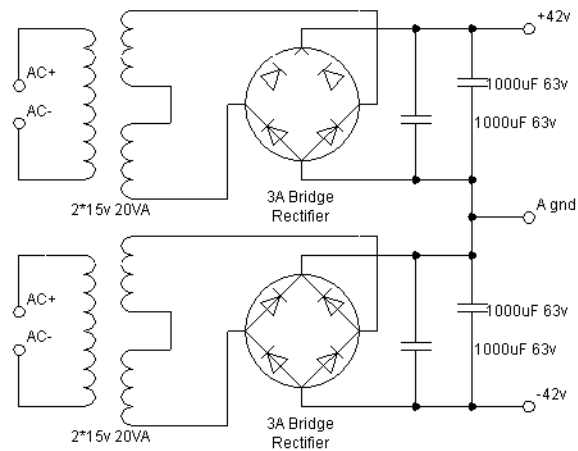
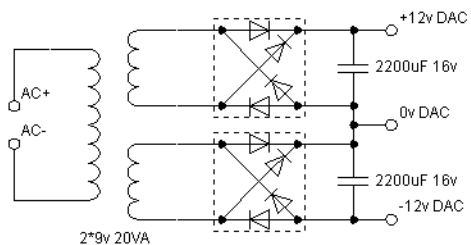
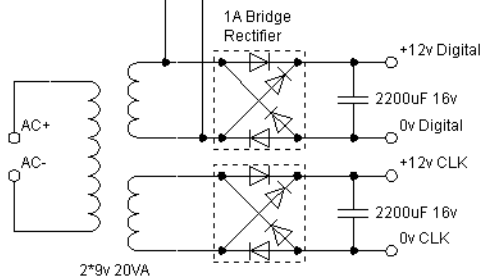
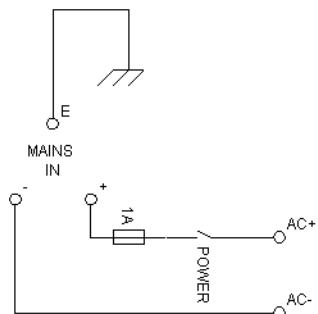
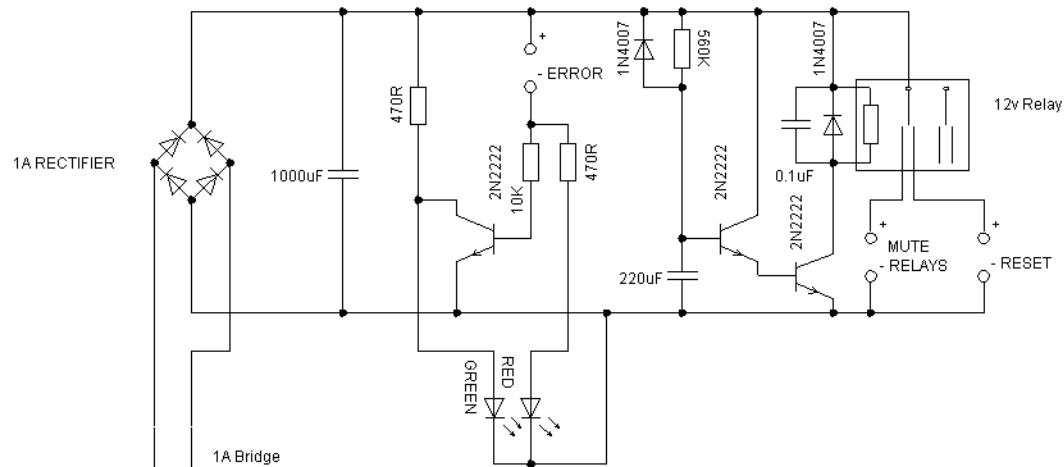
Note:

- CS8420 is operated in Hardware mode 1.
- Data is transmitted between CS8420 and DF1704 in Right Justified format (24 BIT), also known as Sony Format or Standard Format (Burr-Brown Datasheet).
- DF 1704 set to 24-bit output format.
- * Aluminium Electrolytic
- CS8420 is Revision D.

D/A Converter
24 bit / 96Khz Digital Section (Input Receiver
and over sampling filter)

Design By David Broadhurst
For Non Profit use only.
Copyright (c) 2001 David Broadhurst

D/A Converter - Power Supply



Design By David Broadhurst
For Non Profit use only.
Copyright (c) 2001 David Broadhurst