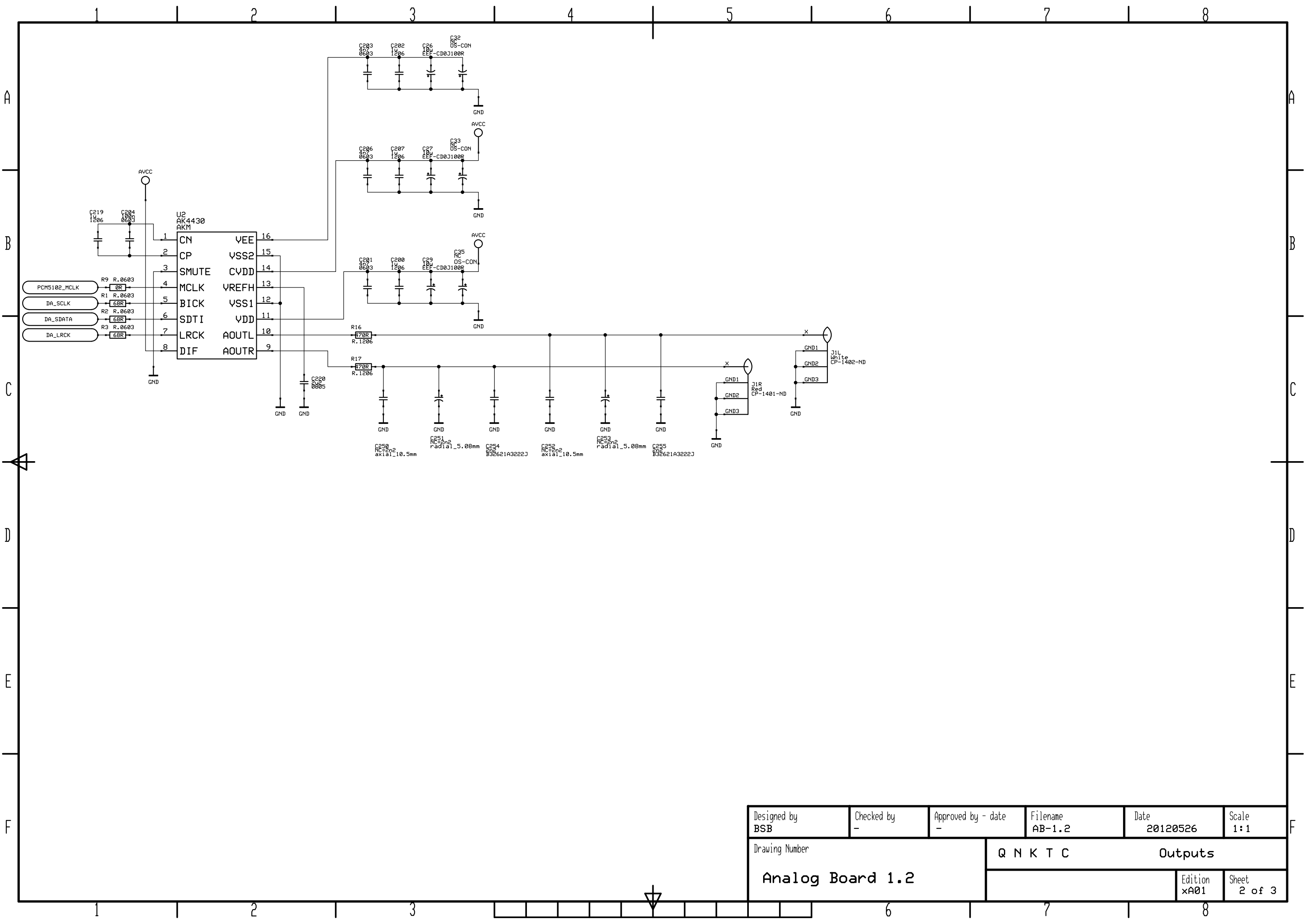
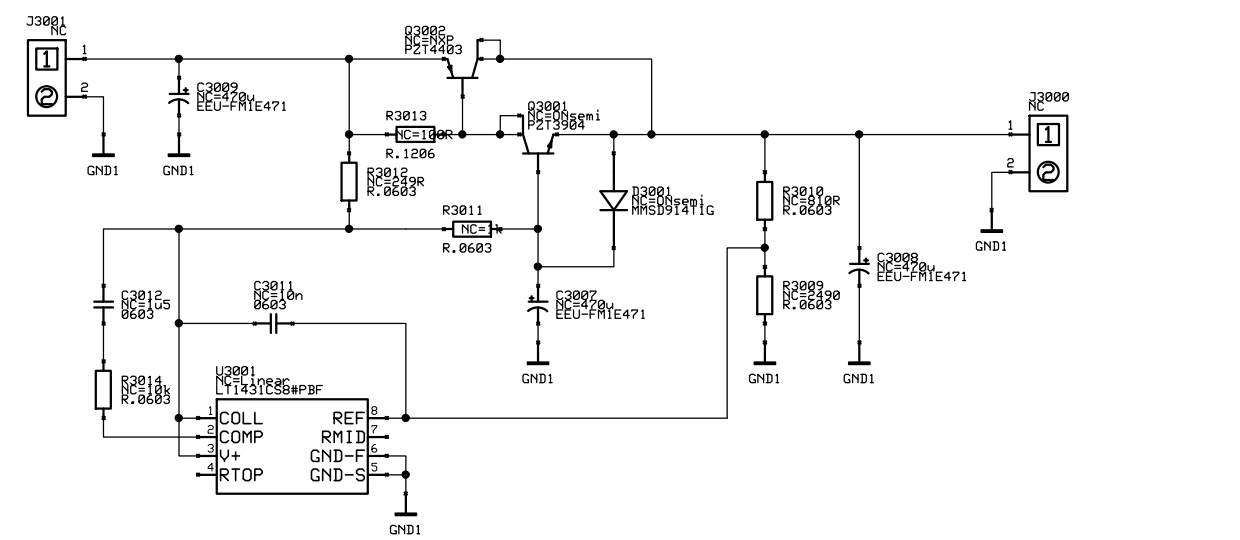
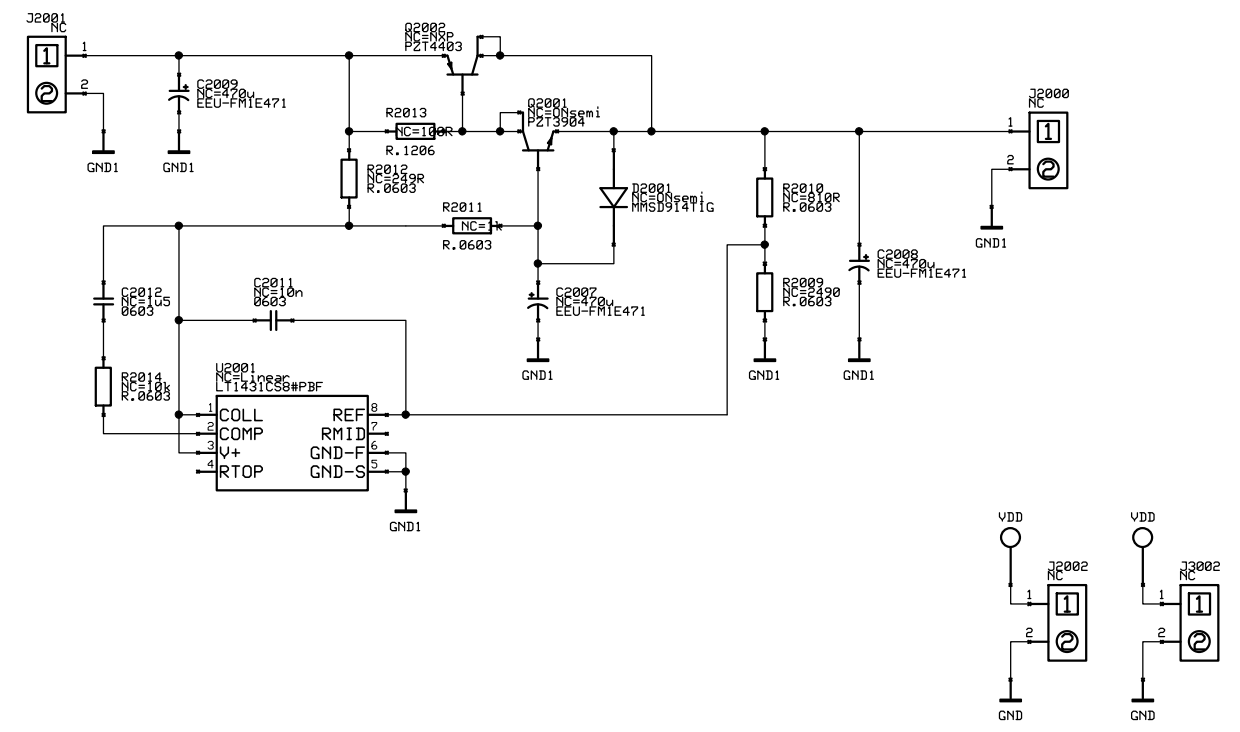
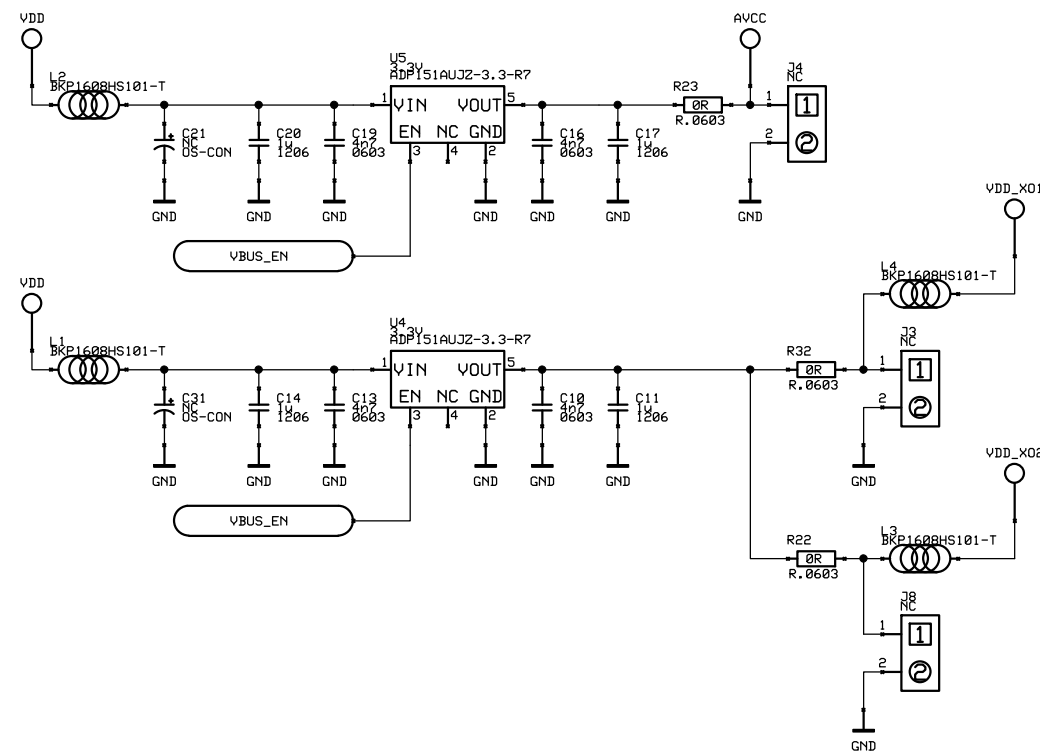


C250, C252 are film caps 04.5mm L10.5mm  
 C251, C253 are 5.08mm caps

Designed by BSB	Checked by -	Approved by - date -	Filename AB-1.2	Date 20120526	Scale 1:1
Drawing Number			Q N K T C		
Analog Board 1.2			Top		
				Edition x01	Sheet 1 of 3



Designed by BSB	Checked by -	Approved by - date -	Filename AB-1.2	Date 20120526	Scale 1:1
Drawing Number Analog Board 1.2			Q N K T C		Outputs
			Edition xA01		Sheet 2 of 3



Designed by BSB	Checked by -	Approved by - date -	Filename AB-1.2	Date 20120526	Scale 1:1
Drawing Number Analog Board 1.2			Q N K T C PSU		
				Edition xA01	Sheet 3 of 3