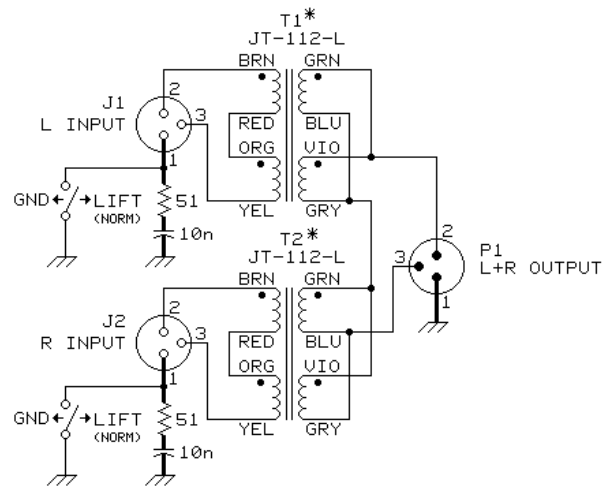


STEREO TO MONO COMBINER FOR BALANCED SYSTEM



NOTES:

1. SOURCES DRIVING L & R INPUTS SHOULD HAVE OUTPUT IMPEDANCES UNDER 200 Ω TO MINIMIZE CROSSTALK AND DISTORTION.
2. LOAD RECEIVING L+R OUTPUT SHOULD HAVE INPUT IMPEDANCE OF 10 k Ω OR HIGHER ("BRIDGING").
3. UNDER TYPICAL CONDITIONS OF 100 Ω SOURCES AND 20 k Ω LOAD, CROSSTALK WILL BE LESS THAN -55 dB.
- *4. MAXIMUM INPUT LEVELS ARE +21 dBu @ 20 Hz OR +25 dBu @ 30 Hz. FOR HIGHER LEVEL HANDLING, +24 dBu @ 20 Hz OR +28 dBu @ 30 Hz, USE JT-123-SL.
5. FOR IN-PHASE INPUTS, L+R OUTPUT WILL BE SAME LEVEL AS EITHER INPUT.
6. RC NETWORKS AT INPUT SHIELDS SUPPRESS RFI DUE TO CABLE STANDING WAVES. RESISTORS ARE 5%, 1/4 w CARBON AND CAP IS 20%, 100 V DISC CERAMIC TYPE. KEEP LEADS SHOWN AS VERY SHORT AND DIRECT.

jensen	AS080
	12/13/96
7135 HAYVENHURST AVE. VAN NUYS, CALIFORNIA 91406 (818) 374-5857	