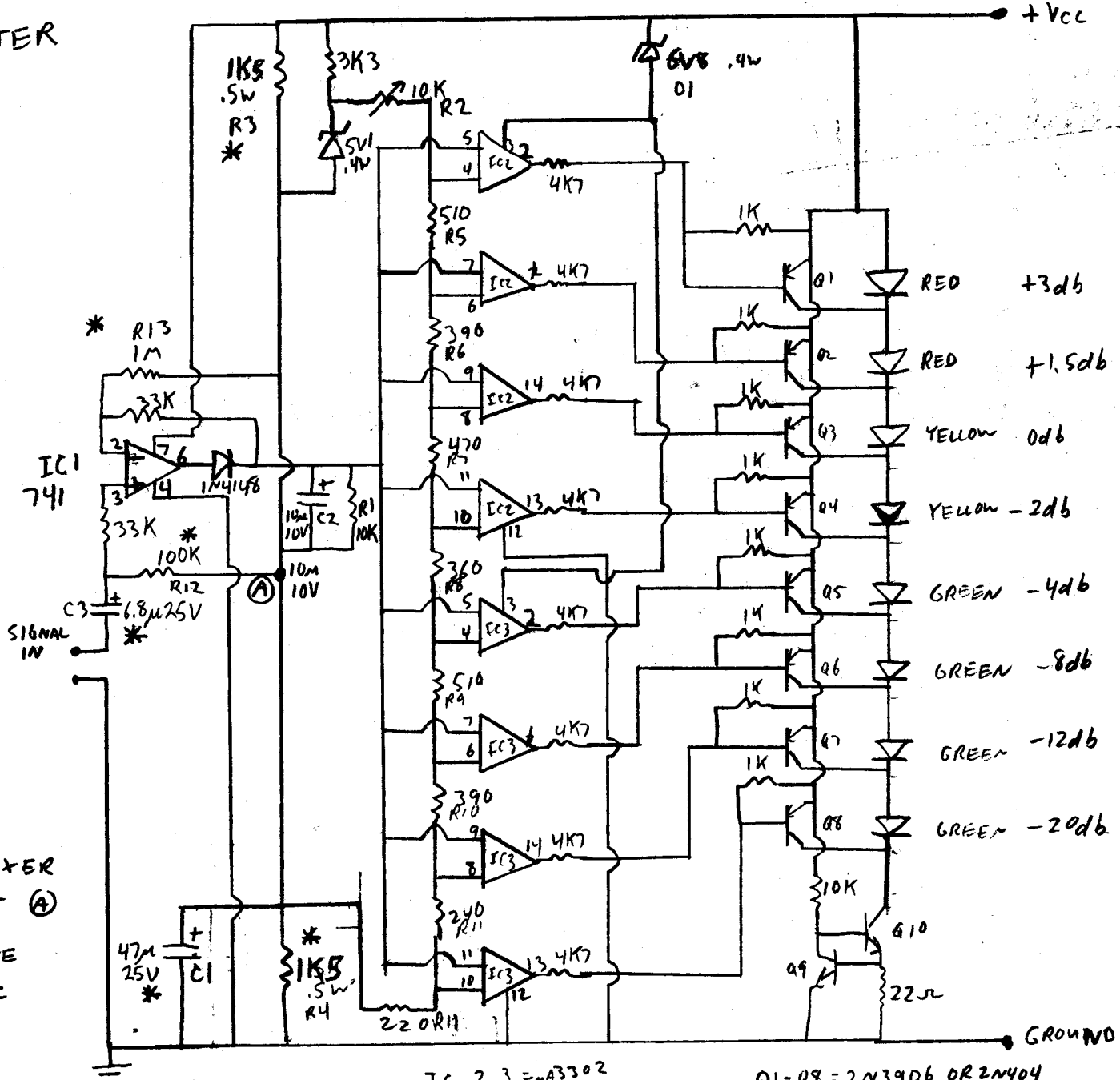


LED VU METER



* OMIT IN MIXER
AND GROUND POINT (A)

AND GROUND LINE
GOES TO -Vcc
at -15V

+Vcc = +15V.

IC 2, 3 = LM339
LM339

Q1-Q8 = 2N3906 OR 2N404
Q9 = 2N3904
Q10 = 2N3055 OR TIP29

Aug 19, 77
D. Fraser

MxE-1

FOR
SINGLE
SUPPLY
OPERATION

