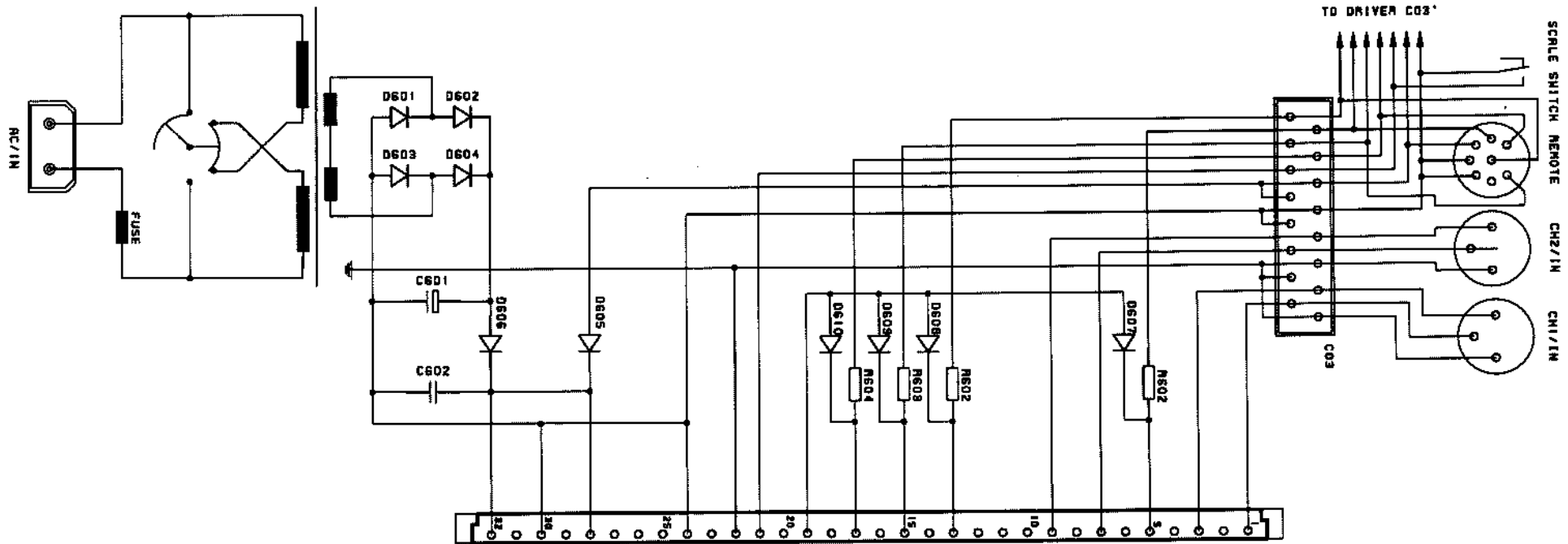
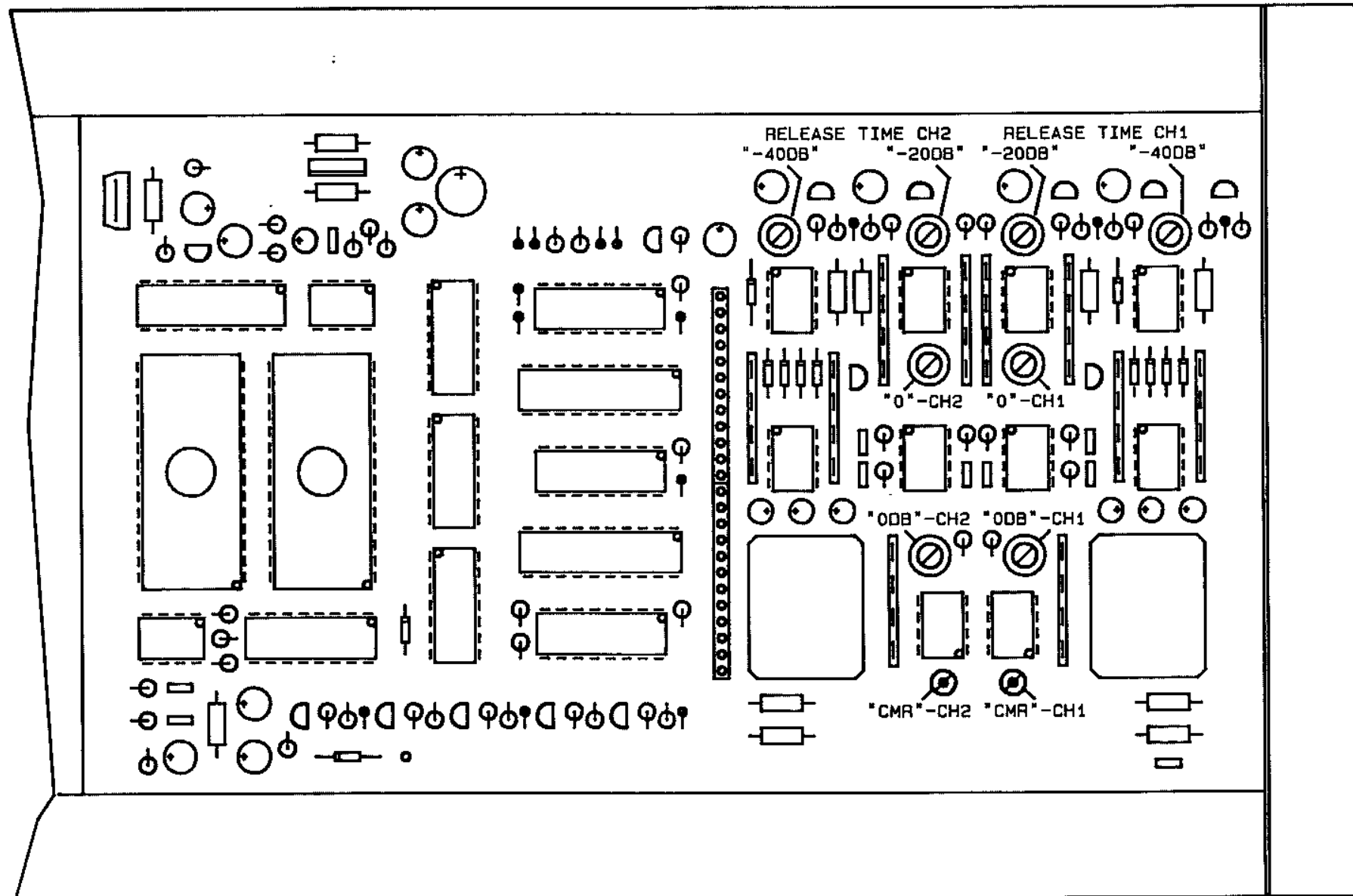


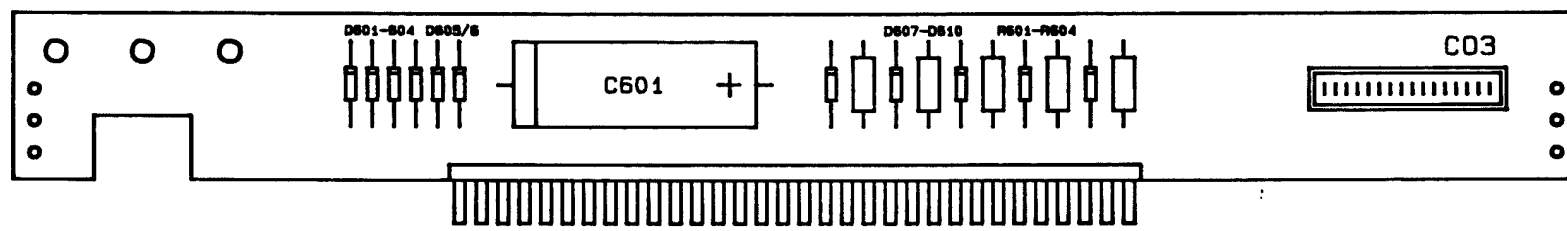
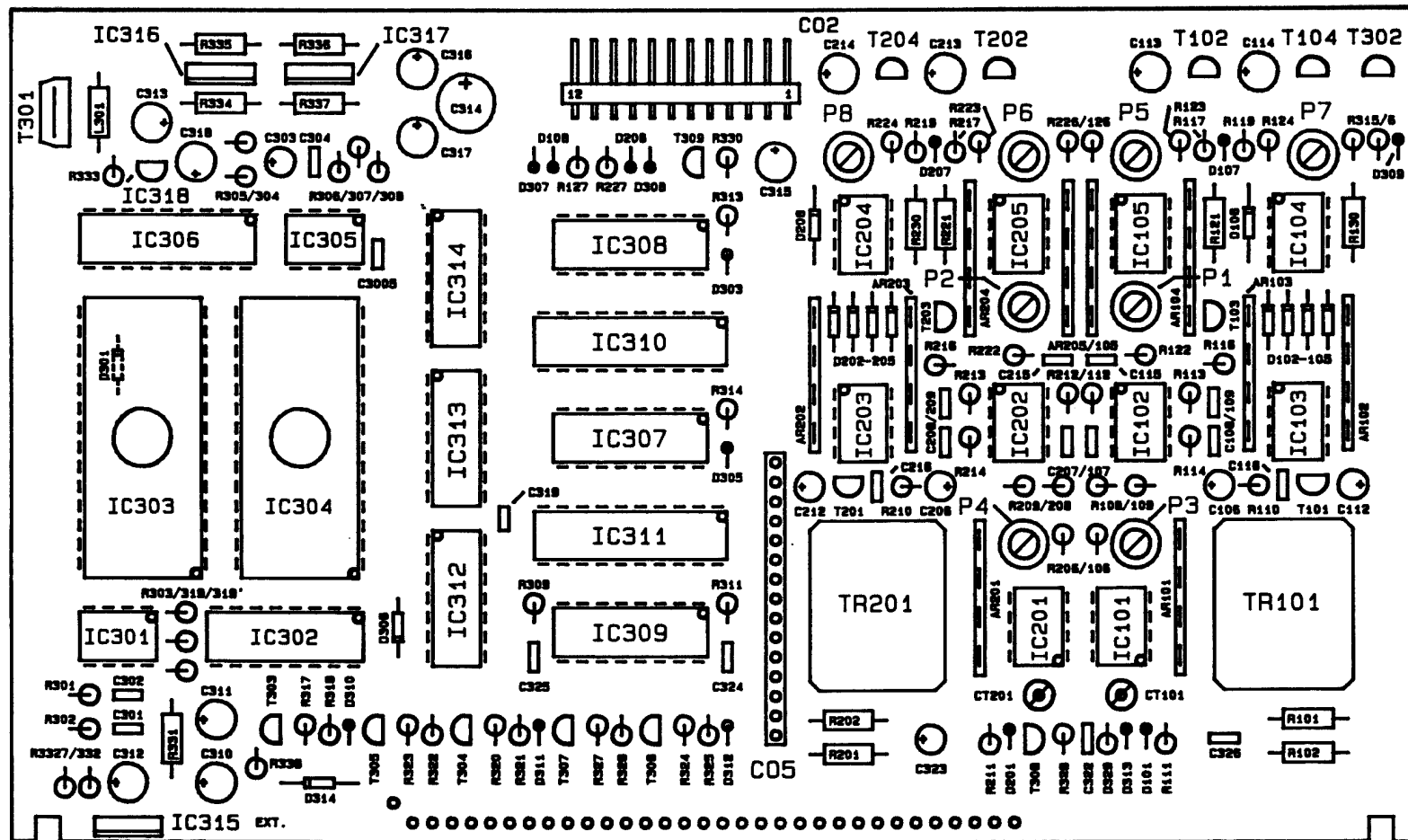
	Prelimi	RTW Peakmeter 1227E
Date	07.95	Display Driver
Name	KU	
RTW		RA010-TECHNISCHE WERKSTATTEN GMBH



	Prelim:	RTW Peakmeter 1227E
Date	08.95	POWER SUPPLY
Name	SKU	
RTW		RADIO-TECHNISCHE WERKSTÄTTEN GMBH





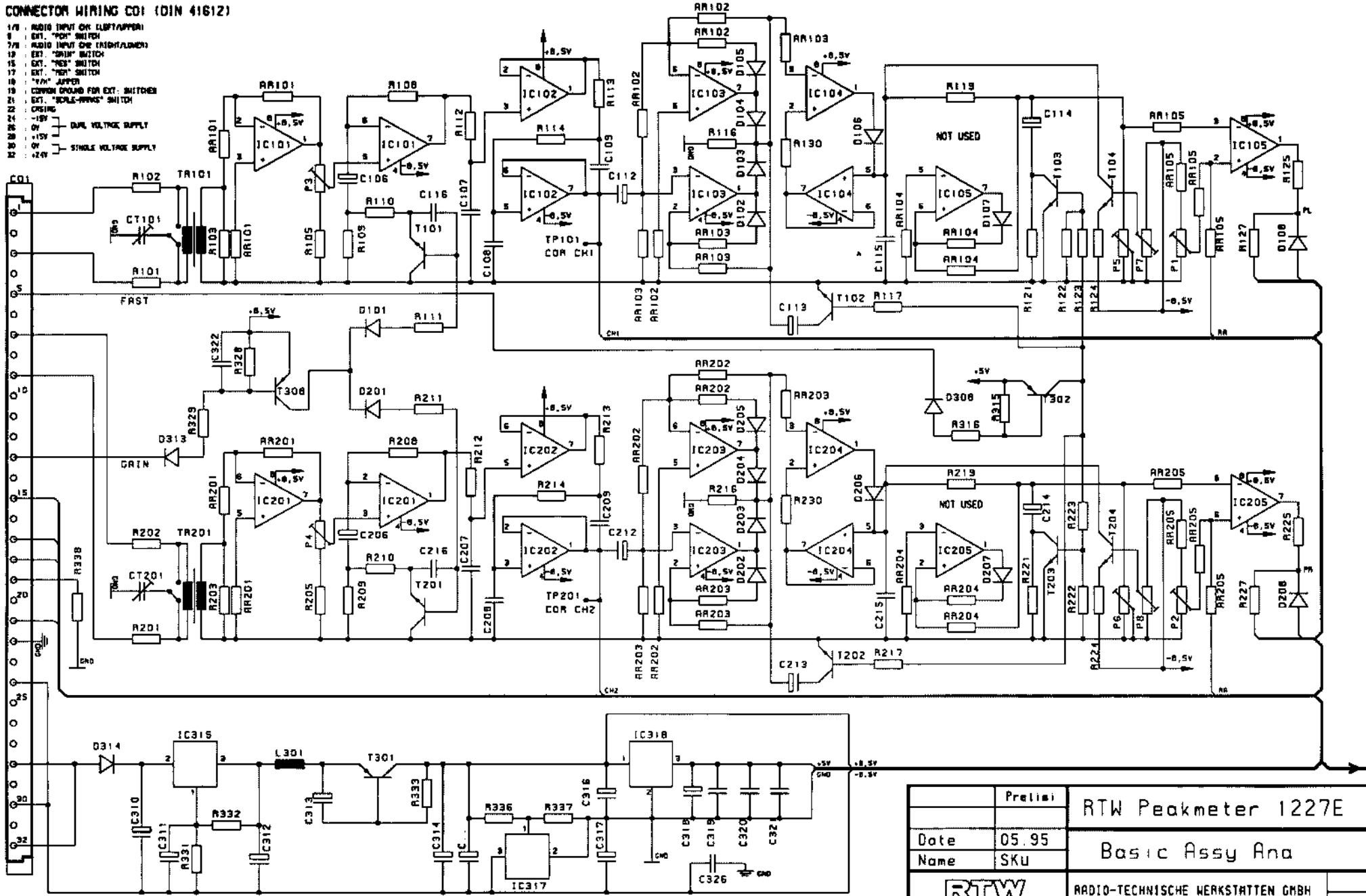
RTW PEAKMETER 1227E	
ADJUSTMENTPOINTS	
	07.88



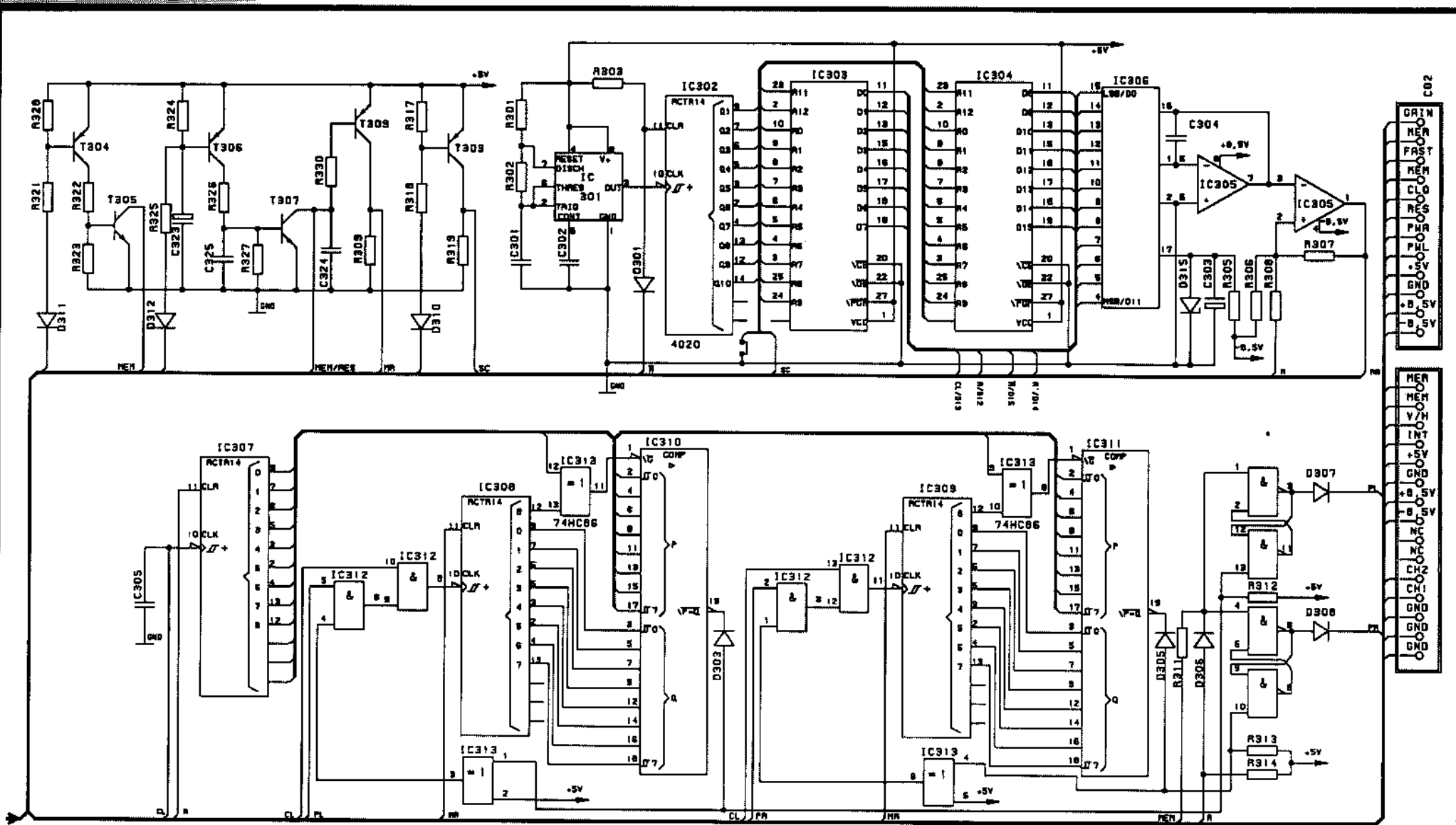
RTW PEAKMETER 1227E	
COMPONENTS LAY OUT	
	07.88

CONNECTOR WIRING CO1 (DIN 41612)

- 1/8 AUDIO INPUT ONE (LEFT/UPPER)
 - 1/9 EXT. "PUSH" SWITCH
 - 7/8 AUDIO INPUT ONE (RIGHT/LOWER)
 - 1/2 EXT. "DRIVE" SWITCH
 - 1/5 EXT. "RES" SWITCH
 - 1/7 EXT. "HEAT" SWITCH
 - 1/9 "VOLUME" ADJUSTER
 - 1/9 COMMON GROUND FOR EXT. SWITCHES
 - 2/1 EXT. "SCALE-ARROWS" SWITCH
 - 2/2 CRYSTAL
 - 2/4 -15V
 - 2/5 0V
 - 2/6 +15V
 - 2/7 +2.5V
-  DUAL VOLTAGE SUPPLY
 SINGLE VOLTAGE SUPPLY



	Prelimi	RTW Peakmeter 1227E
Date	05.95	Basic Assy Ana
Name	SKU	
RTW		RADIO-TECHNISCHE WERKSTATTEN GMBH



	Prelimi	RTW Peakmeter 1227E
Date	05.95	Basic Assy Digi
Name	SKU	
RTW		RADIO-TECHNISCHE WERKSTÄTTEN GMBH