

## SOUND EFFECT GENERATOR

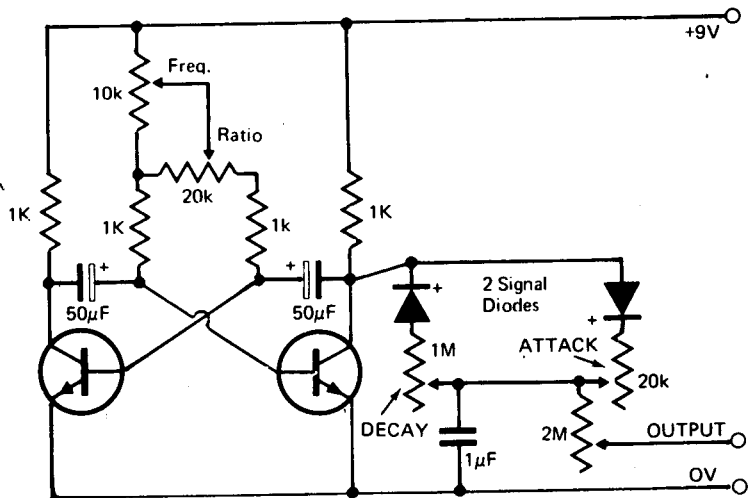


FIG 1

The waveshape generator shown in this circuit will interest those readers experimenting with sound effects.

Basically the circuit is a slow

running oscillator with variable attack and decay. A variable amplitude (high impedance) output is available via the 2 meg potentiometer. Figure 2 shows

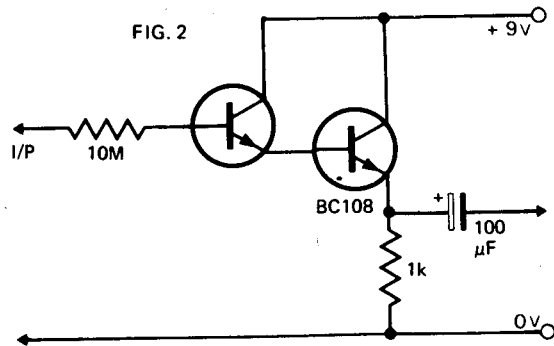
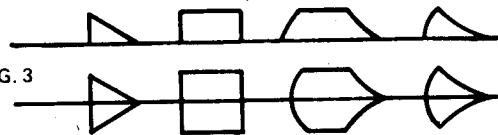


FIG. 3



AFTER MODULATION

an add-on circuit which should be used if a low impedance output is required.

Some of the output waveforms that can be produced are shown in Fig 3.