

6

5

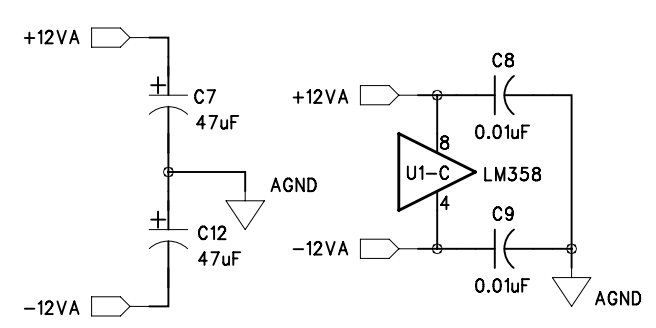
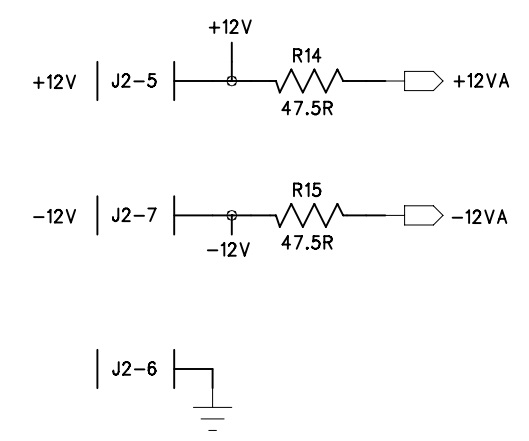
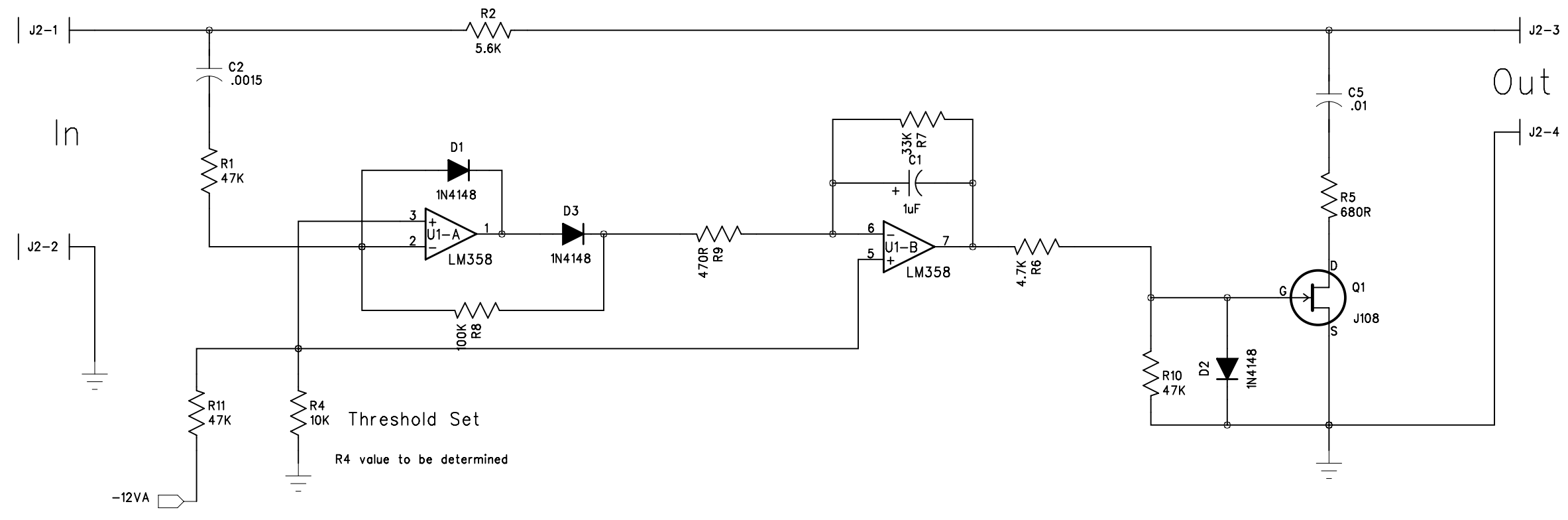
4

3

2

1

REVISION RECORD			
LTR	ECO NO:	APPROVED:	DATE:



COMPANY:			
TITLE: <b>Dynamic Noise Limiter</b>			
CODE:	SIZE:	DRAWING NO:	REV:
SCALED :		SHEET: 1 OF 1	

DRAWN: DF	DATED: 1/23/03
CHECKED:	DATED:
QUALITY CONTROL:	DATED:
RELEASED:	DATED:

D  
C  
B  
A

D  
C  
B  
A