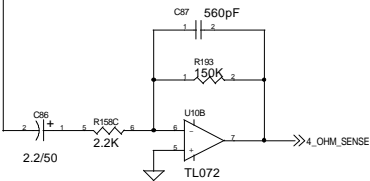
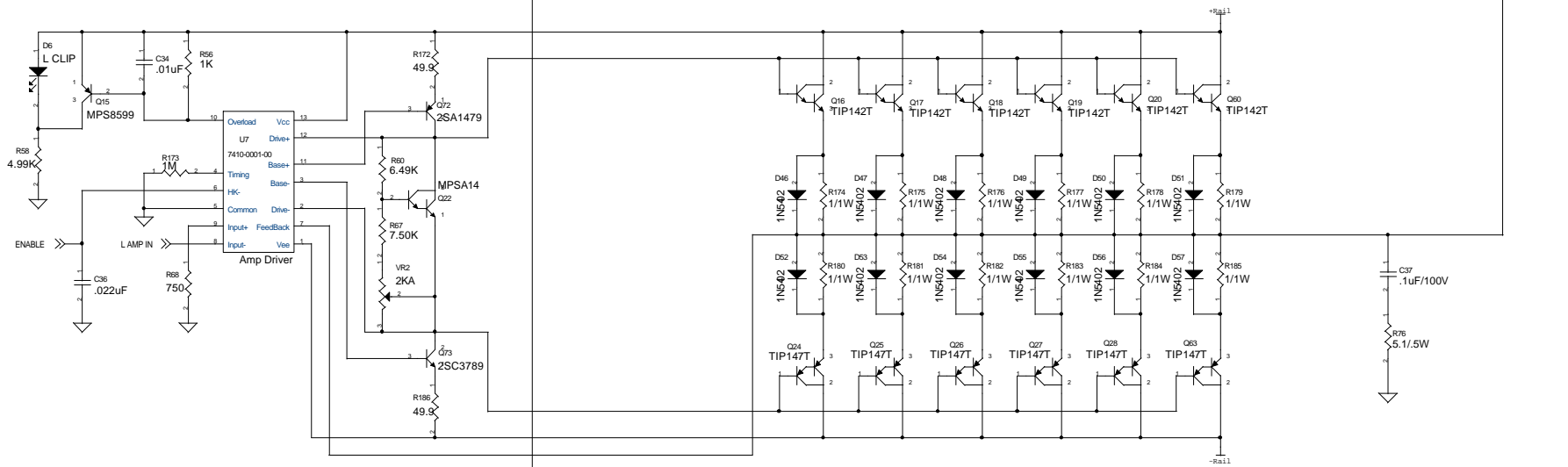
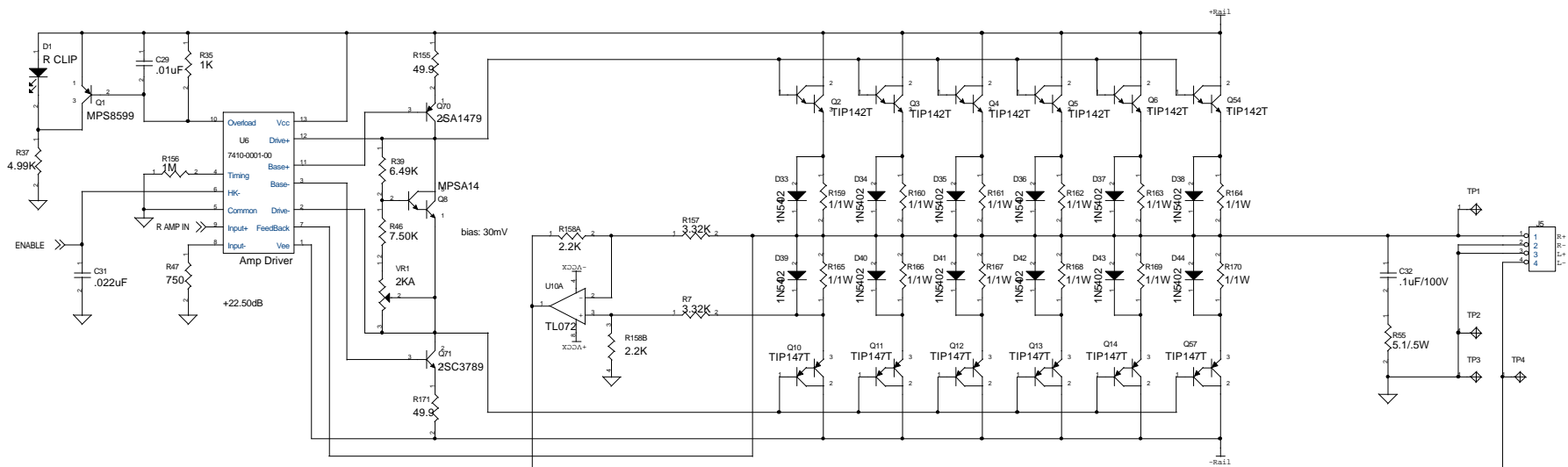


Potentiometer Tapers:  
 A - Linear  
 B - Log; reverse inserted on PCB for CW Anti-Log  
 C - Anti-Log; reverse inserted on PCB for CW Log

SN: 92.2 dB - T  
 102.6 dB - M  
 112.5 dB - B

**Soundstream Technologies**  
 120 Blue Ravine Road  
 Folsom, CA 95630

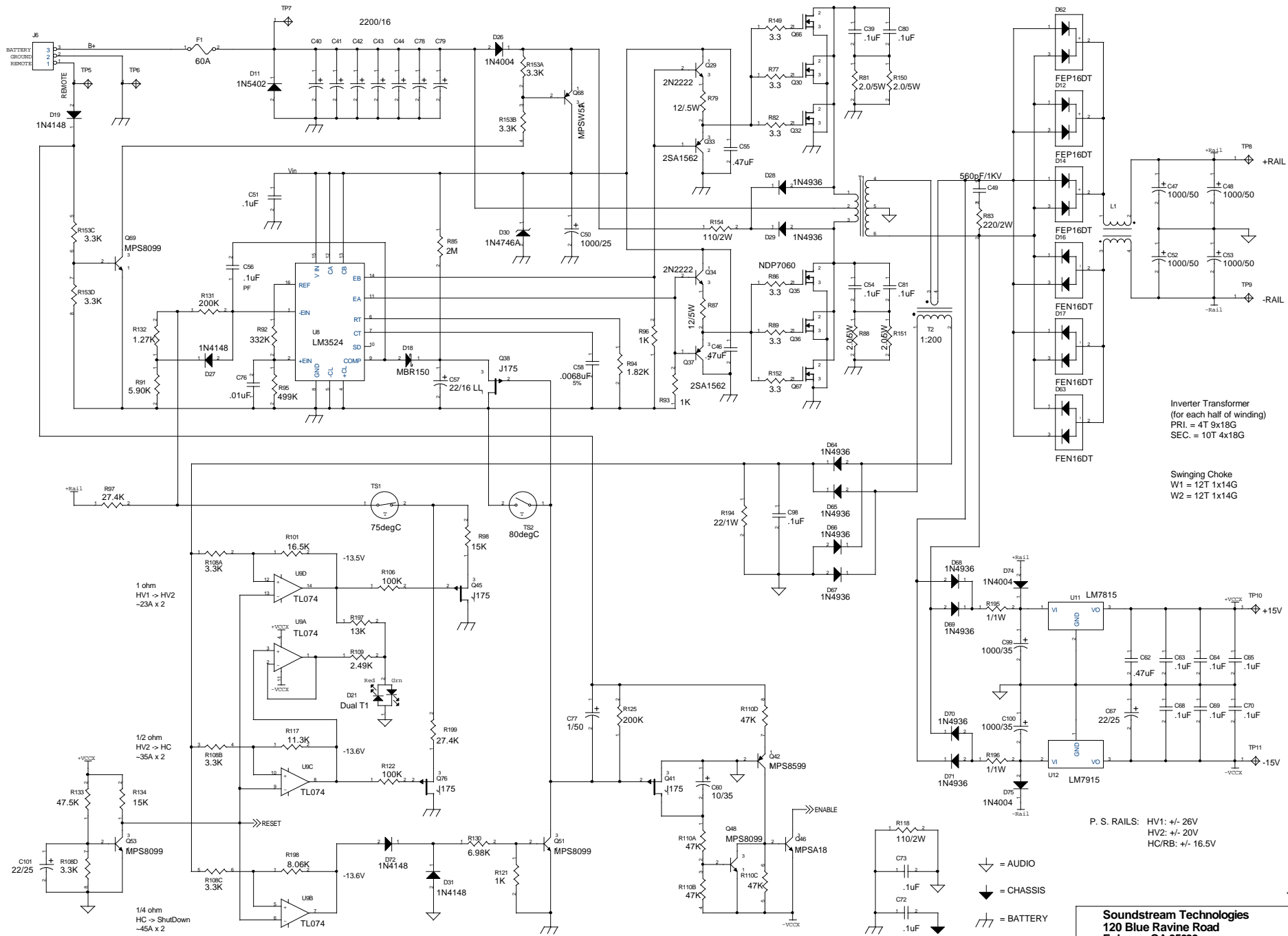
File: Class A 5.2 Preamp  
 Size: Document Number  
 Custom: 7400-0014-01  
 Date: Thursday, October 29, 1998 Sheet 1 of 3



U U U

\* indicates component not installed

<b>Soundstream Technologies</b> 120 Blue Ravine Road Folsom, CA 95630		
Title: Class A 5.2 Power Amps		
Size: Custom	Document Number: 7400-0014-01	Rev:
Date: Thursday, October 29, 1998	Sheet: 2 of 3	



Inverter Transformer  
(for each half of winding)  
PRI. = 4T 9x18G  
SEC. = 10T 4x18G

Swinging Choke  
W1 = 12T 1x14G  
W2 = 12T 1x14G

P. S. RAILS: HV1: +/- 26V  
HV2: +/- 20V  
HC/RB: +/- 16.5V

- ▽ = AUDIO
- ▼ = CHASSIS
- ⏏ = BATTERY

**Soundstream Technologies**  
120 Blue Ravine Road  
Folsom, CA 95630

Title: Class A 5.2 Power Supply  
Size: Document Number  
Custom: 7400-0014-01  
Date: Thursday, October 29, 1998 Sheet: 3 of 3