

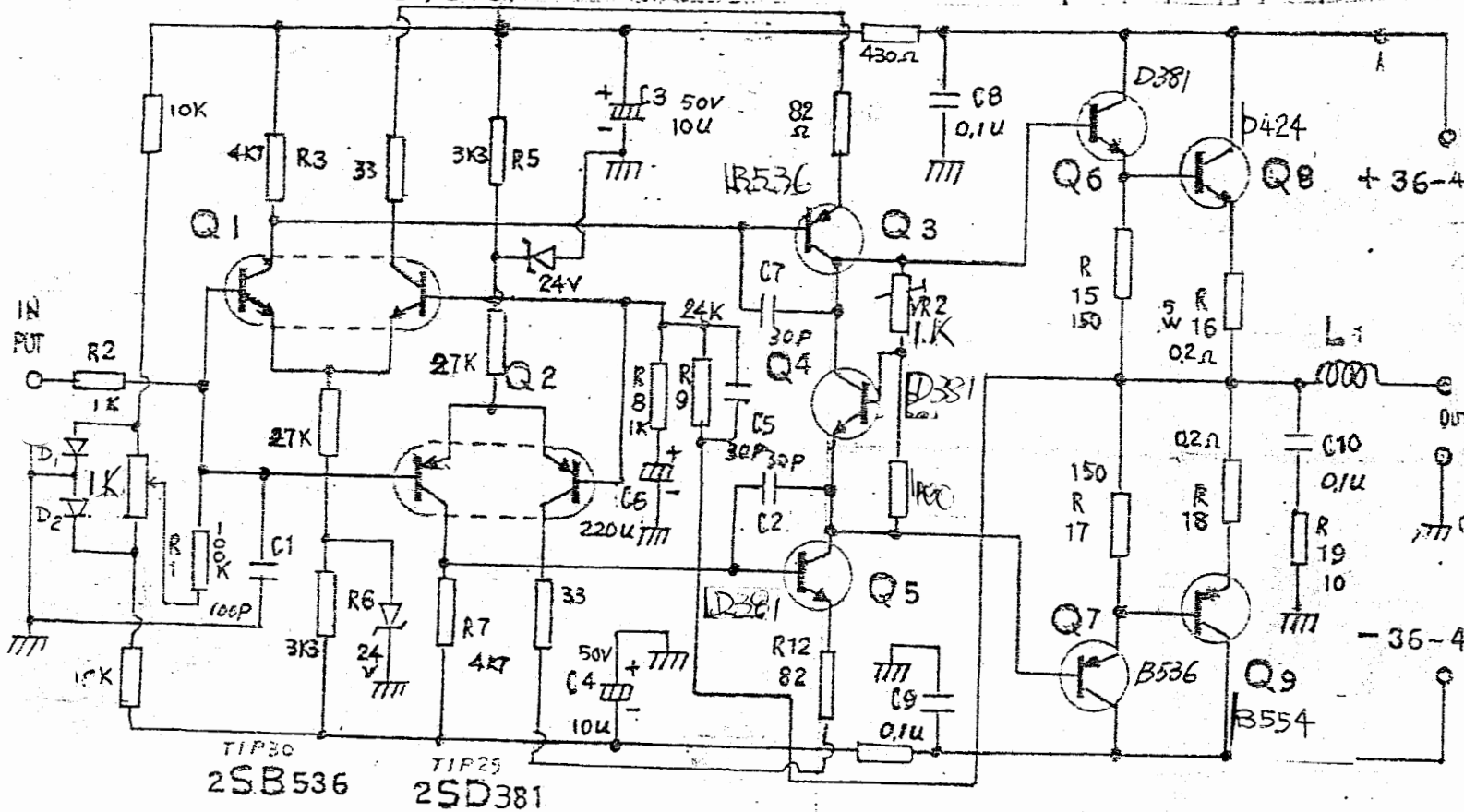
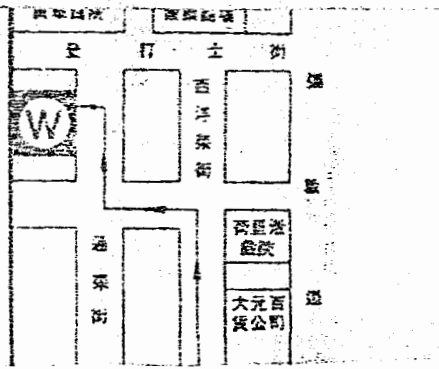


WELFARE ELECTRONIC COMPONENT CO.

華輝無線電行

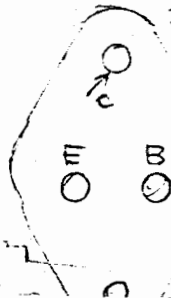
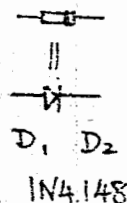
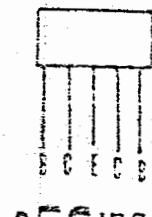
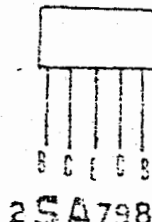
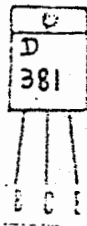
ADDRESS: 2X, G/F., HUNG FAI BLDG.,  
TUNG CHOI STREET, MONKOK,  
KOWLOON, HONG KONG.

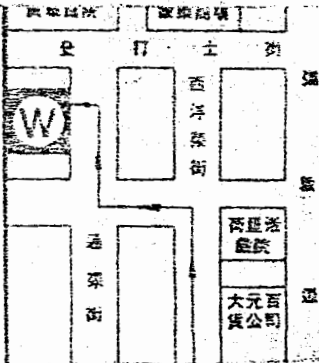
TEL: 3-317780



TIP30  
2SB536

TIP25  
2SD381

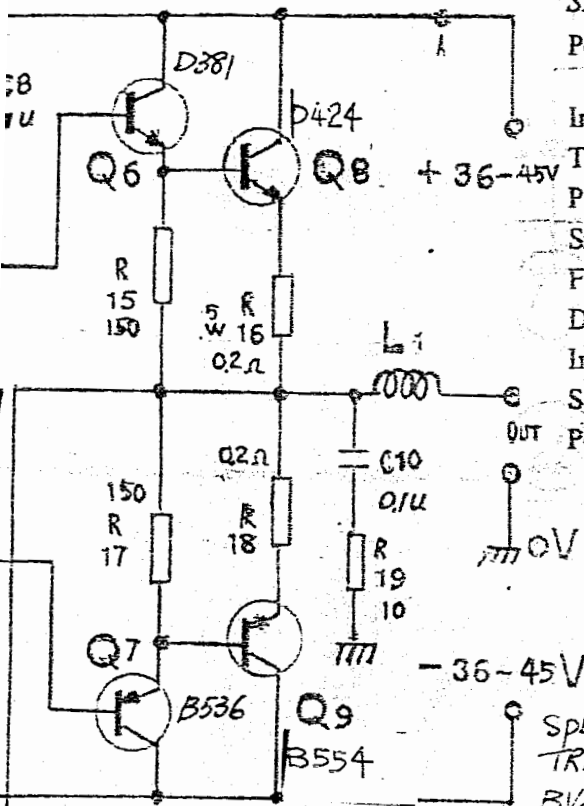




# CIRCUIT DIAGRAM OF POWER AMP. model : A8009 MARK III

## SPECIFICATIONS

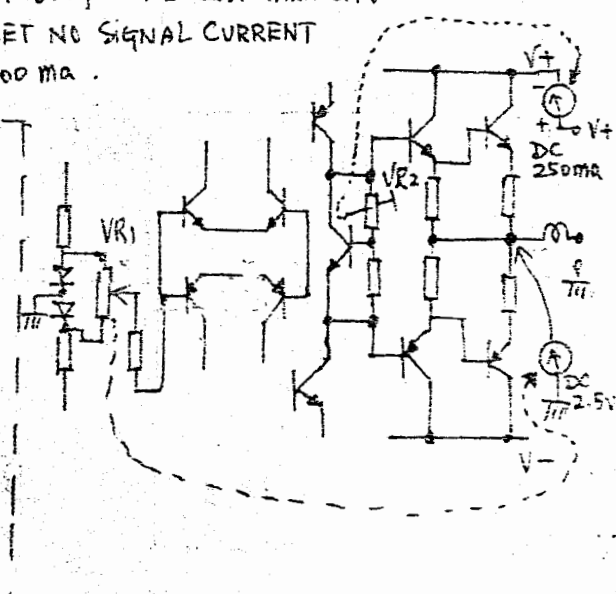
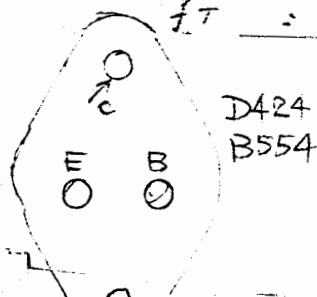
- Power Output : 100 W RMS at 8 ohm.
- : 50 W RMS at 16 ohm.
- Inter-Modulation Distortion : less than 0.007%
- Total Harmonic Distortion : less than 0.01%
- Power Bandwidth : 2Hz. - 180 KHz.
- Signal to Noise Ratio : better than 100 db.
- Frequency Response : 2Hz. - 300KHz.
- Damping Factor : 100 at 1 KHz/8 ohm.
- Input Sensitivity : 1 V/47 K
- Speaker Impedance : 4 ohm. - 16 ohm.
- Power Supply :  $\pm 30V - \pm 45V$  DC 3A .5A
- : 24V - 32 V x 2 AC



Adj VR<sub>1</sub> LET OUT PUT BE LESS THAN 0.1V  
Adj VR<sub>2</sub> SET NO SIGNAL CURRENT  
TO 50.~ 100 mA .

### SPEC. OF POWER TRANSISTOR

- $V_{CE}$  = 160V
- $I_C$  : 12A
- $P_D$  : 180W
- $f_T$  : 90MHz



Dz  
V4.148