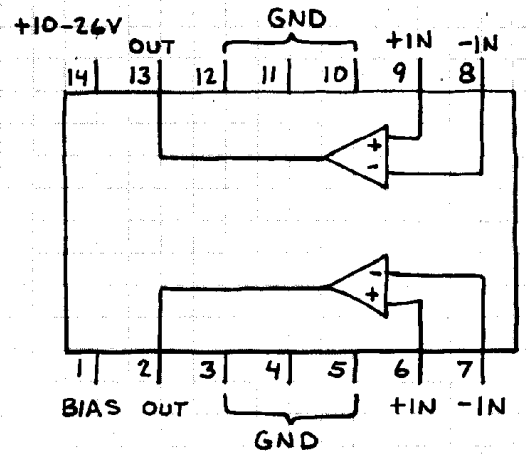


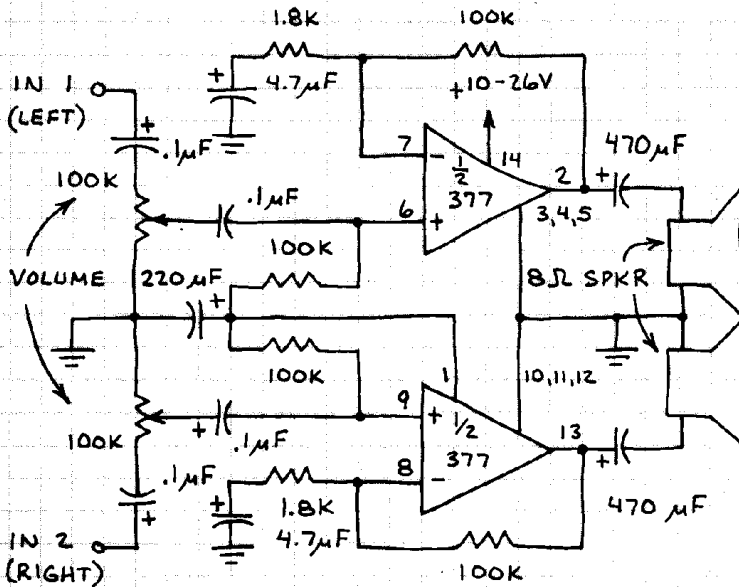
DUAL 2-WATT AMPLIFIER LM1877/LM377

HIGH QUALITY, EASY TO USE POWER AMPLIFIER. IDEAL FOR DO-IT-YOURSELF STEREO, P.A. SYSTEMS, INTERCOMS, ETC. AUTOMATIC THERMAL SHUTDOWN PROTECTS AGAINST OVERHEATING. 70dB CHANNEL SEPARATION MEANS VIRTUALLY NO CROSSTALK. ONLY 3 MICROVOLTS NOISE INPUT. HEATSINKING: UNNECESSARY IN MANY APPLICATIONS SINCE AVERAGE POWER IS USUALLY WELL BELOW BRIEF PEAKS. IN ANY CASE, PINS 3, 4, 5, 10, 11 AND 12 SHOULD BE CONNECTED TOGETHER. IF LOAD EXCEEDS DEVICE RATING, THERMAL SHUTDOWN WILL OCCUR... AND WILL CAUSE SEVERE DISTORTION. USE HEATSINK (UP TO 10 SQUARE INCHES OF COPPER FOIL ON PC BOARD OR METAL FIN) IF THIS OCCURS.

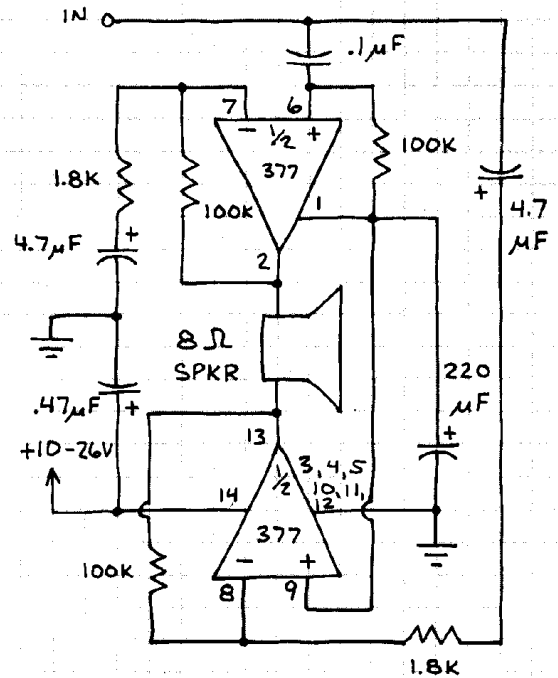


NOTE: GND PINS SHOULD BE HEAT SUNK FOR MAXIMUM POWER.

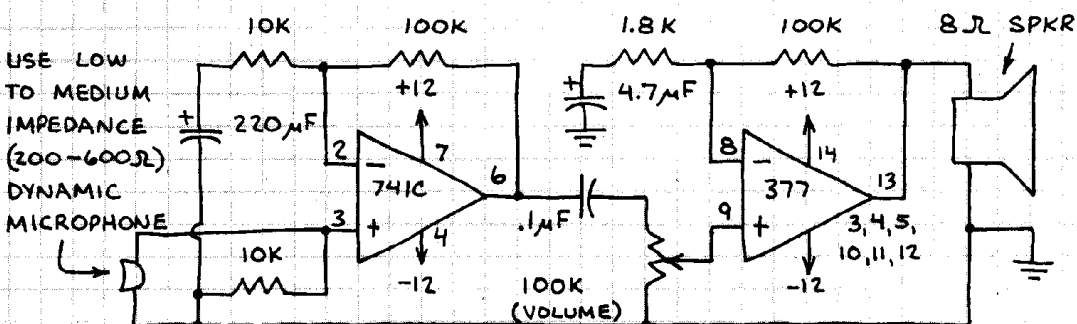
STEREO AMPLIFIER



4-WATT AMPLIFIER



PUBLIC ADDRESS SYSTEM



THIS CIRCUIT WORKS WELL. NOTE FEWER PARTS IN LM1877/LM377 STAGE... THANKS TO SPLIT POWER SUPPLY.