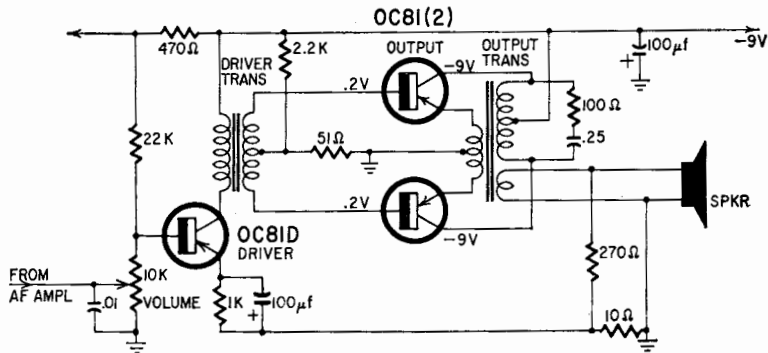


TRANSISTOR OUTPUT CIRCUIT

The diagram shows the rather unusual output stage in the Roberts (British) RT7 two-band AM transistor port-

lector circuits. This split-load arrangement requires more drive than the conventional collector-loaded push-pull



able. The driver is transformer-coupled to the bases of the output transistors. The output stage is operated as a split-load class-B amplifier. A part of the load is in the emitter circuits and the larger portion of the load is in the col-

lector circuits. This split-load arrangement requires more drive than the conventional collector-loaded push-pull amplifier but greatly reduces crossover distortion, which tends to increase as battery voltage drops off. Negative feedback voltage is tapped off a voltage divider across the voice coil and fed to the driver's emitter.