

6

5

4

3

2

1

REVISION RECORD			
LTR	ECO NO:	APPROVED:	DATE:

D

D

C

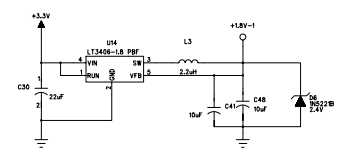
C

B

B

A

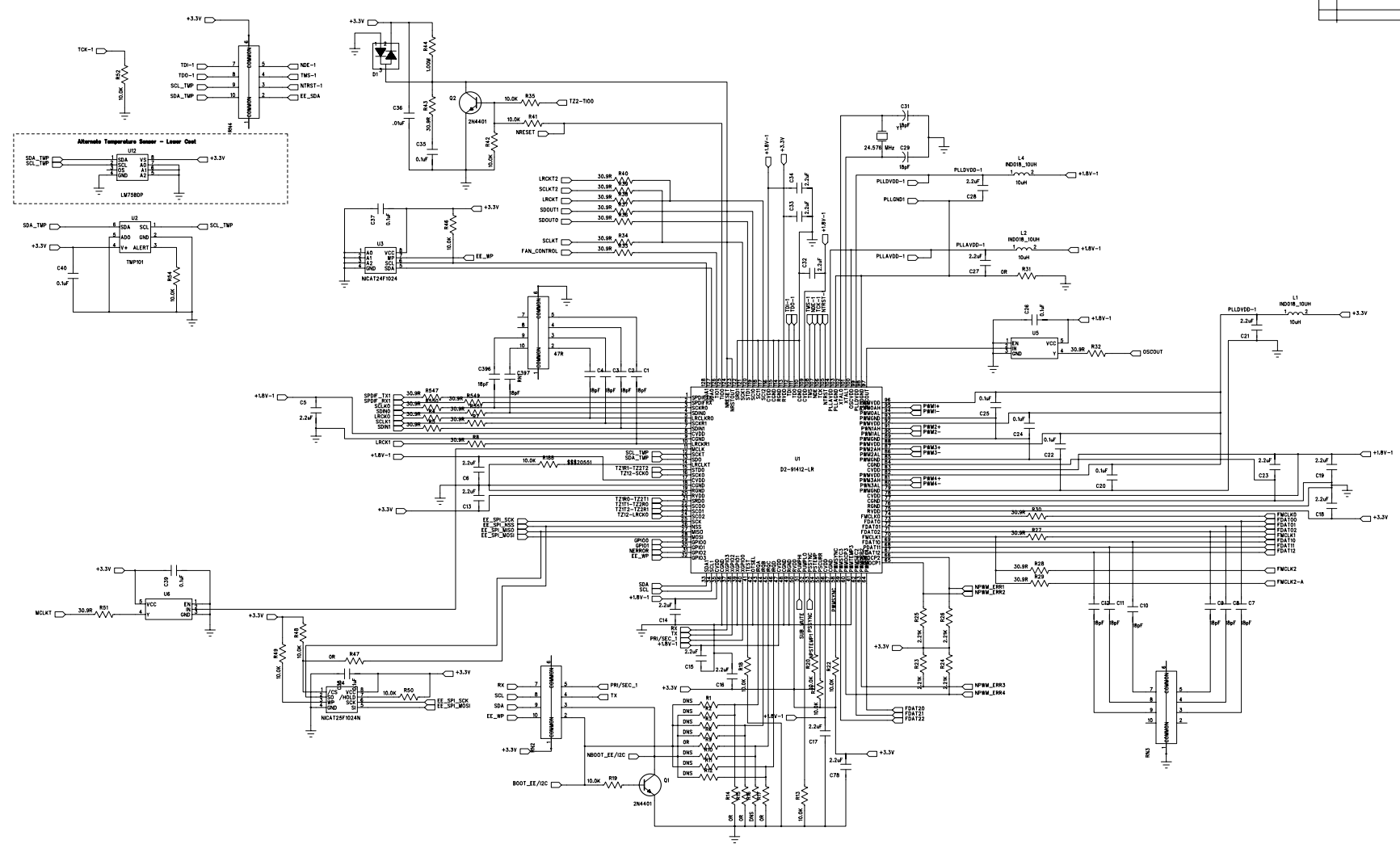
A



Utility

DRAWN: DF		DATED: 07/11/08		COMPANY: Renkus-Heinz Inc	
CHECKED:		DATED:		TITLE: Audio Input and uC	
QUALITY CONTROL:		DATED:		CODE:	SIZE:
RELEASED:		DATED:		DRAWING NO: 722-PCA1286	
SCALE:		SHEET: 1 OF 3		REV: M	

REVISION RECORD			
REV	DESCRIPTION	DATE	BY

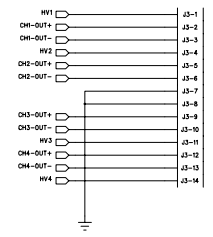
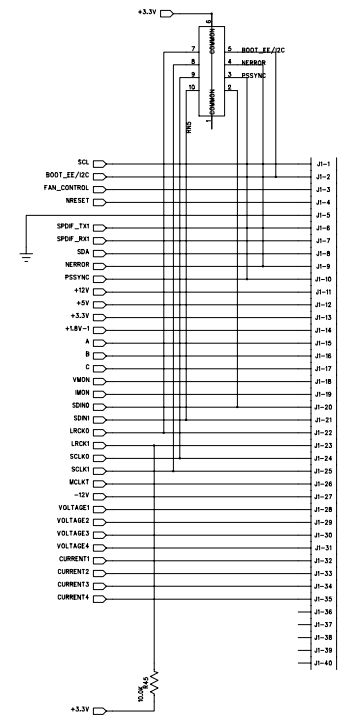


DSP

COMPANY: RENKUS-HEINZ INC.	
TITLE: DSP 1	
DRAWN: DF	DATED: 01/11/08
CHECKED: [ ]	DATED: [ ]
QUALITY CONTROL: [ ]	DATED: [ ]
RELEASED: [ ]	DATED: [ ]
CODE: D	SIZE: 700-PCA1xxx
DRAWING NO: 700-PCA1xxx	REV: A
FILE: D00XX-A.SCH	SH 2 OF 3

6 5 4 3 2 1

REVISION RECORD			
LTR	EDD. NO.	APPROVED:	DATE:



In/Out Headers

COMPANY:		Renkus-Heinz Inc.			
TITLE:		Cobranet/DSP			
DRAWN: DF	DATE: 01/11/08	CODE:	SIZE:	DRAWING NO:	REV: M
CHECKED:	DATE:	700-PCA1286			
QUALITY CONTROL:	DATE:				
RELEASED:	DATE:	SCALE:	SHEET: 3 OF 3		

6

5

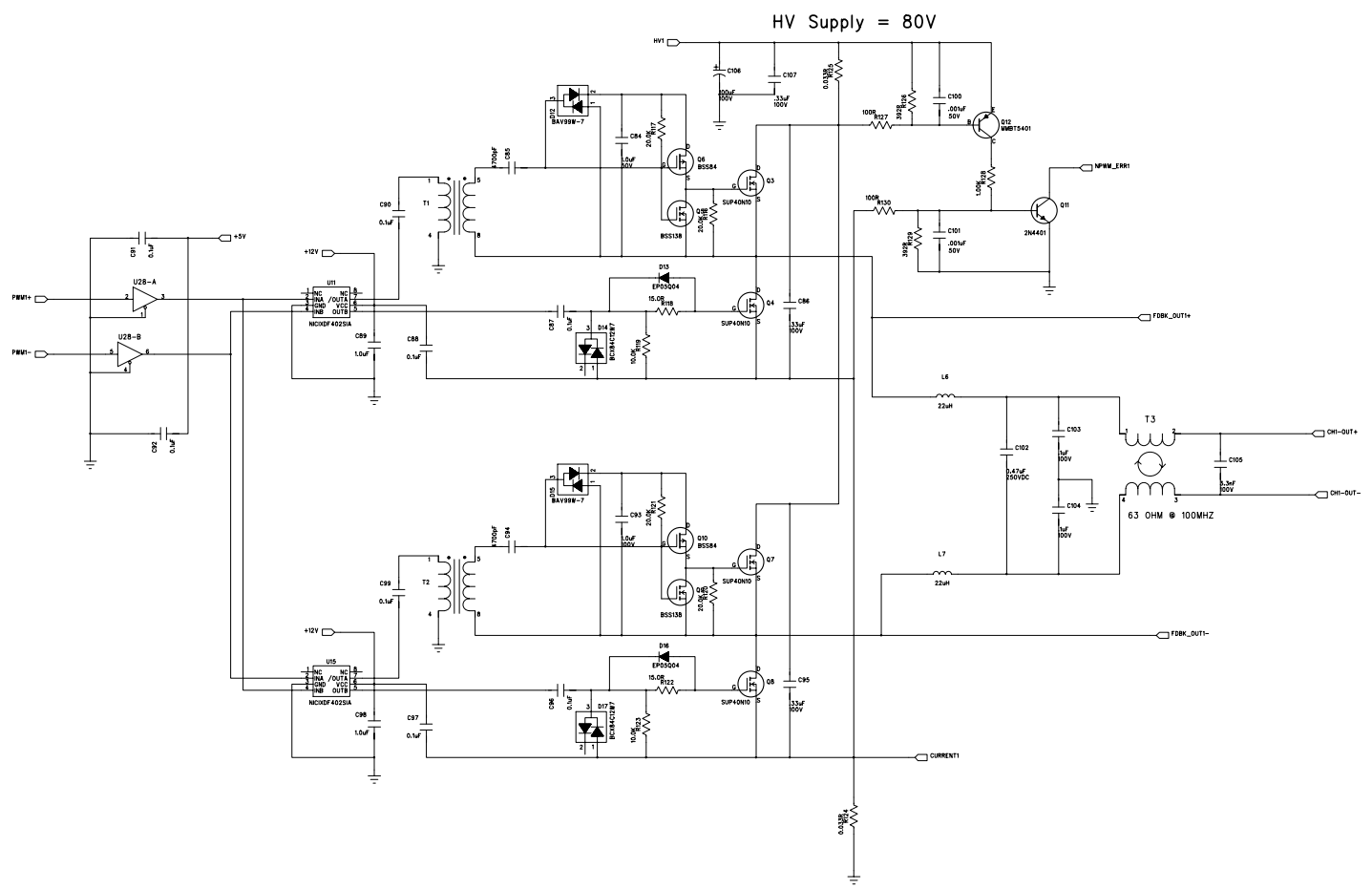
4

3

2

1

REVISION RECORD			
LTR	ECO NO.	APPROVED:	DATE:



Channel 1

DRAWN: DMF		DATE: 04/06/09		COMPANY: Renkus-Heinz	
CHECKED: K		DATE: K		TITLE: D2 High Power Amp	
QUALITY CONTROL: K		DATE: K		CODE: D	SIZE: PCA-1XXX
RELEASED: K		DATE: K		SCALE: _	REV: A
SHEET: 4 OF 8				REV: A	

6

5

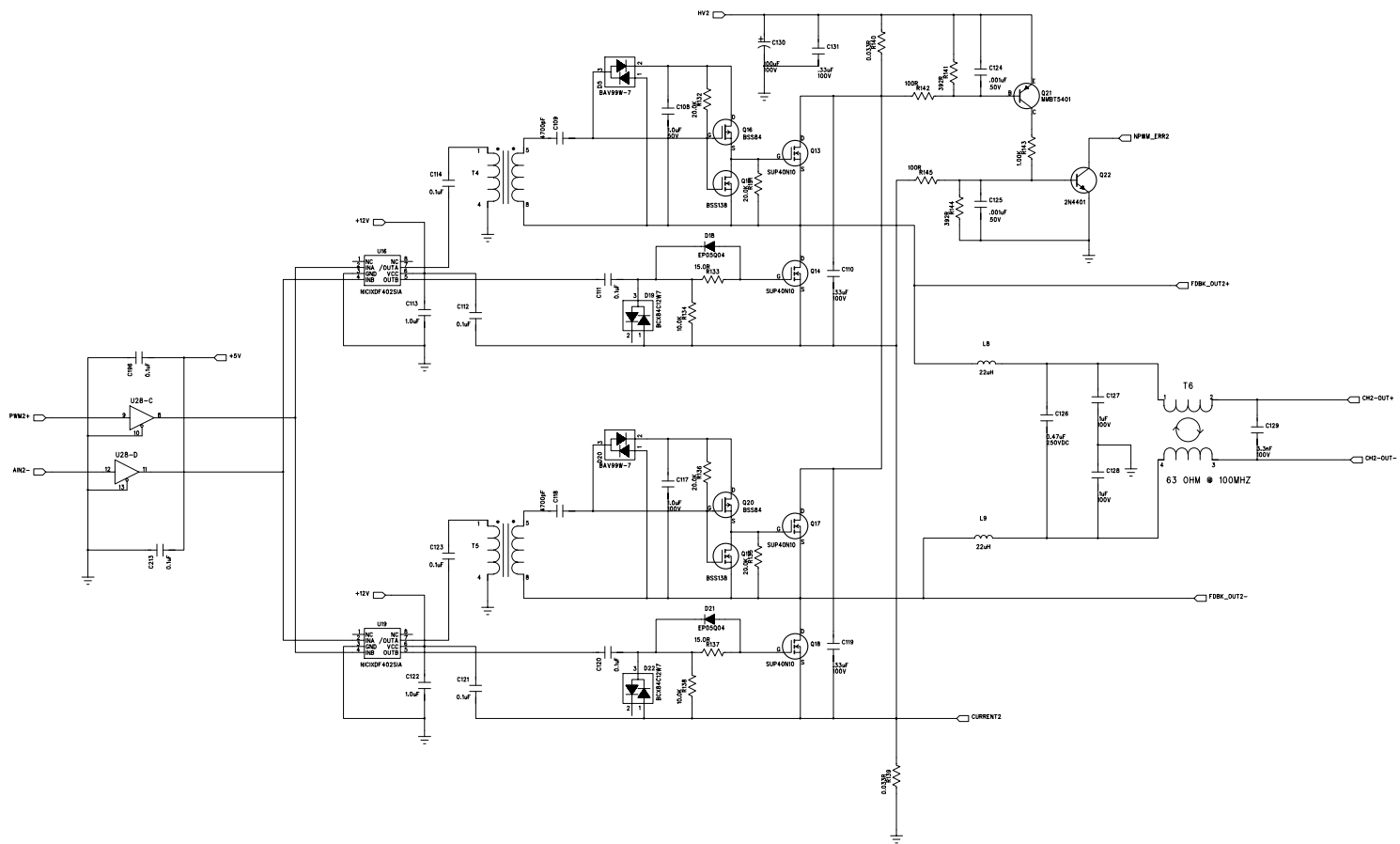
4

3

2

1

REVISION RECORD			
LTR	EDD. NO.	APPROVED:	DATE:



Channel 3

DRAWN: DMF		DATE: 04/06/09		COMPANY: Renkus-Heinz	
CHECKED: K		DATE: K		TITLE: D2 High Power Amp	
QUALITY CONTROL: K		DATE: K		CODE: D	DRAWING NO: PCA-1XXX
RELEASED: K		DATE: K		SCALE: _	REV: A
				SHEET: 5 OF 8	

6

5

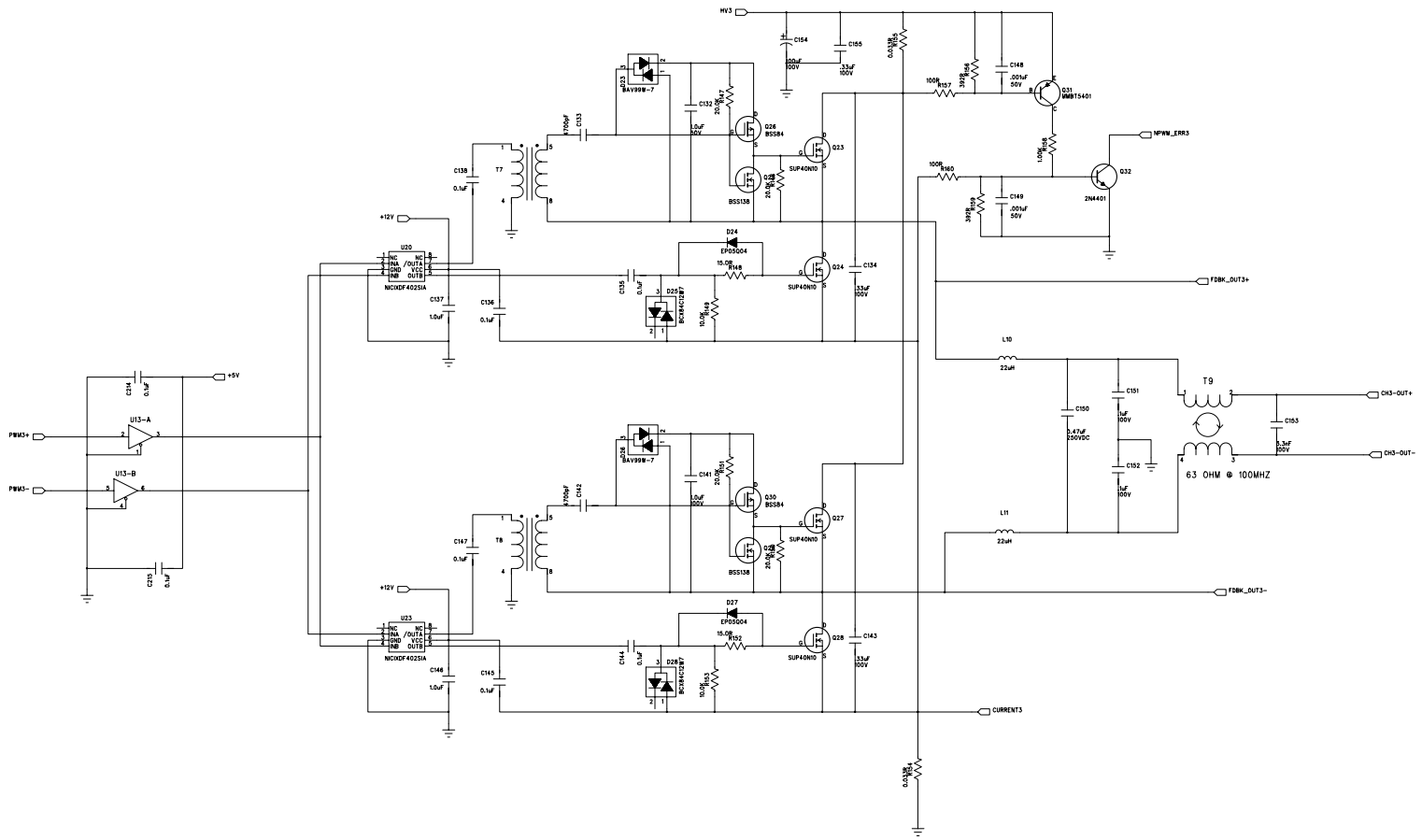
4

3

2

1

REVISION RECORD			
LTR	ECO. NO.	APPROVED:	DATE:

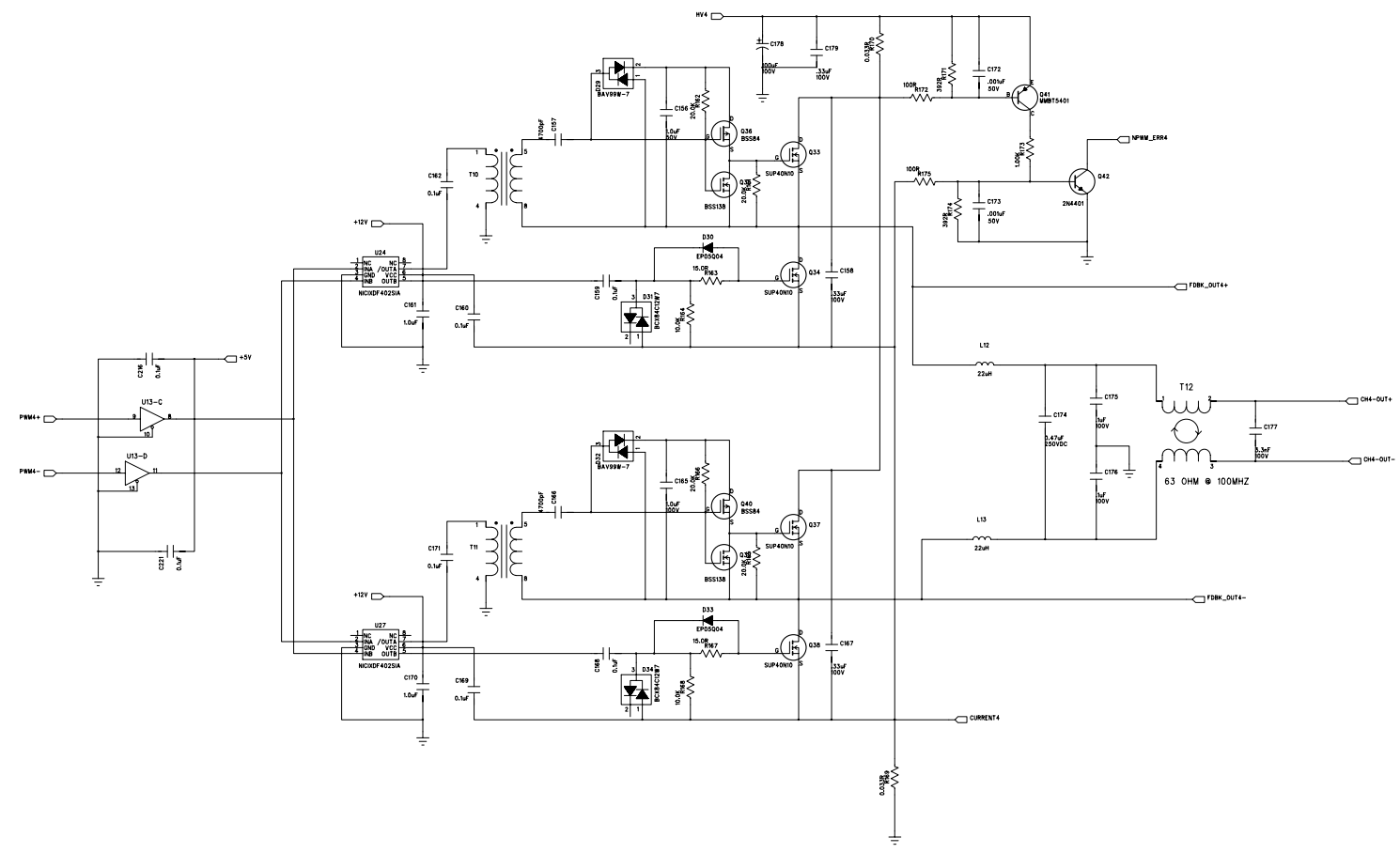


Channel 3

DRAWN: DMF		DATE: 04/06/09		COMPANY: Renkus-Heinz	
CHECKED: K		DATE: K		TITLE: D2 High Power Amp	
QUALITY CONTROL: K		DATE: K		CODE: D	DRAWING NO: PCA-1XXX
RELEASED: K		DATE: K		SCALE: _	REV: A
				SHEET: 6 OF 8	

6 5 4 3 2 1

REVISION RECORD			
LTR	EDD. NO.	APPROVED:	DATE:



Channel 4

DRAWN: DMF		DATE: 04/06/09		COMPANY: Renkus-Heinz	
CHECKED: K		DATE: K		TITLE: D2 High Power Amp	
QUALITY CONTROL: K		DATE: K		CODE: D	SIZE: PCA-1XXX
RELEASED: K		DATE: K		SCALE: _	REV: A
				SHEET: 7 OF 8	

6

5

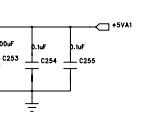
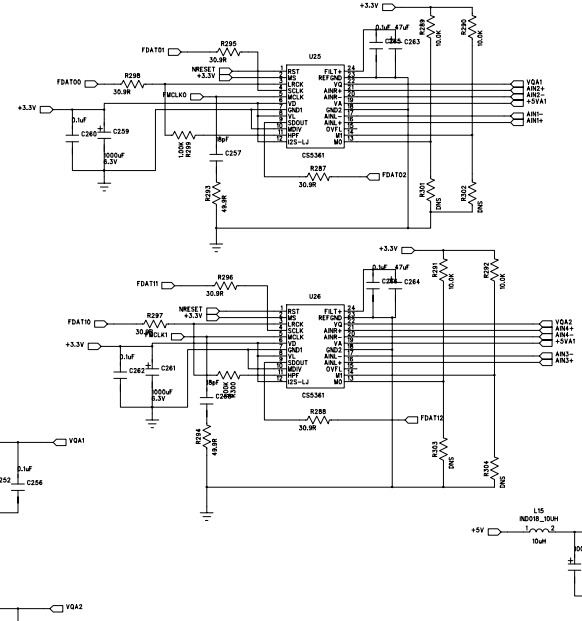
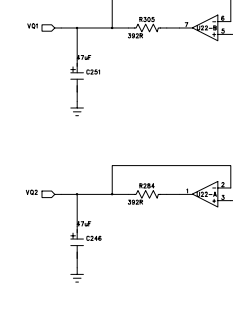
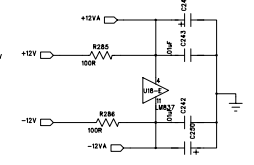
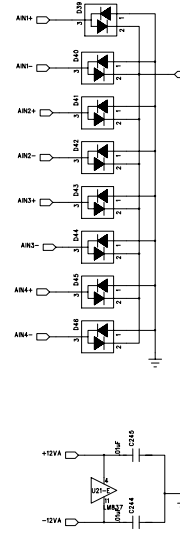
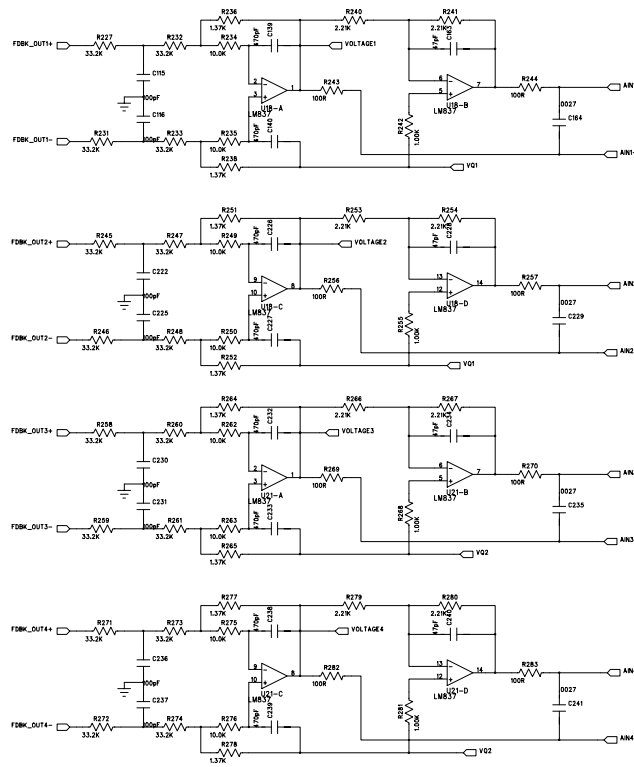
4

3

2

1

REVISION RECORD			
LTR	EDD. NO.	APPROVED:	DATE:



DRAWN: DMF		DATE: 04/06/09		COMPANY: Renkus-Heinz	
CHECKED: k		DATE: k		TITLE: D2 High Power Amp	
QUALITY CONTROL: k		DATE: k		CODE: D	DRAWING NO: PCA-1XXX
RELEASED: k		DATE: k		SCALE: _	REV: A
				SHEET: 8 OF 8	