

6

5

4

3

2

1

| REVISION RECORD |         |           |       |
|-----------------|---------|-----------|-------|
| LTR             | ECO NO: | APPROVED: | DATE: |
|                 |         |           |       |
|                 |         |           |       |
|                 |         |           |       |

D

D

C

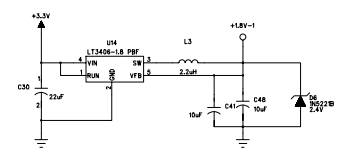
C

B

B

A

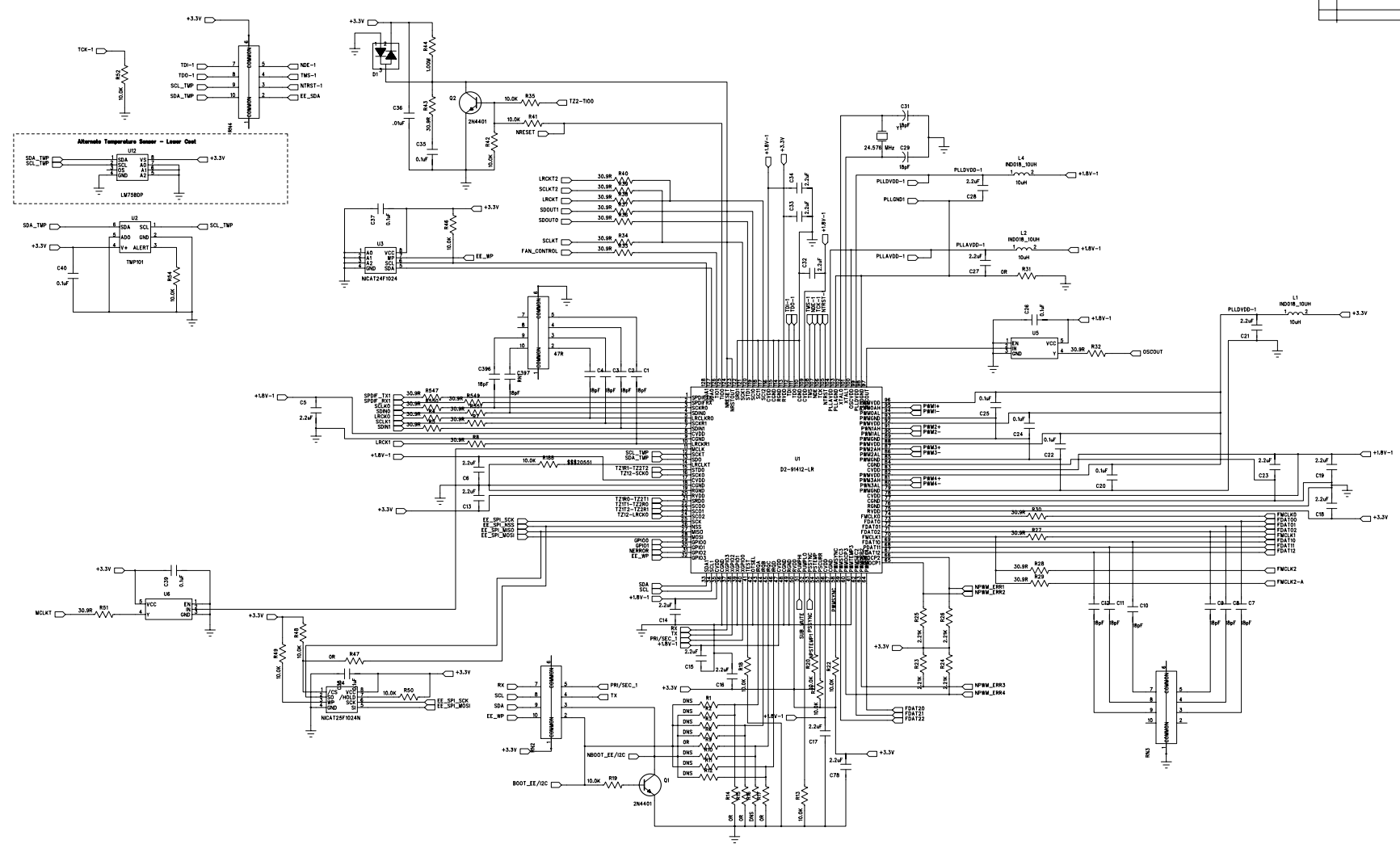
A



Utility

|                  |    |                    |          |             |               |
|------------------|----|--------------------|----------|-------------|---------------|
| COMPANY:         |    | Renkus-Heinz Inc   |          |             |               |
| TITLE:           |    | Audio Input and uC |          |             |               |
| DRAWN:           | DF | DATE:              | Q1/11/08 | CODE:       | SIZE:         |
| CHECKED:         |    | DATE:              |          | DRAWING NO: | REV:          |
| QUALITY CONTROL: |    | DATE:              |          | 722-PCA1286 | M             |
| RELEASED:        |    | DATE:              |          | SCALE:      | SHEET: 1 OF 3 |

| REVISION RECORD |             |      |    |
|-----------------|-------------|------|----|
| REV             | DESCRIPTION | DATE | BY |
|                 |             |      |    |
|                 |             |      |    |
|                 |             |      |    |



DSP

|                            |                   |
|----------------------------|-------------------|
| COMPANY: RENKUS-HEINZ INC. |                   |
| TITLE: DSP 1               |                   |
| DRAWN: DF                  | DATED: 01/11/08   |
| CHECKED: [ ]               | DATED: [ ]        |
| QUALITY CONTROL: [ ]       | DATED: [ ]        |
| RELEASED: [ ]              | DATED: [ ]        |
| CODE: D                    | SIZE: 700-PCA1xxx |
| DRAWING NO: A              | REV: A            |
| FILE: D00XX-A.SCH          | SH 2 OF 3         |

6

5

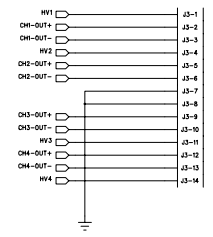
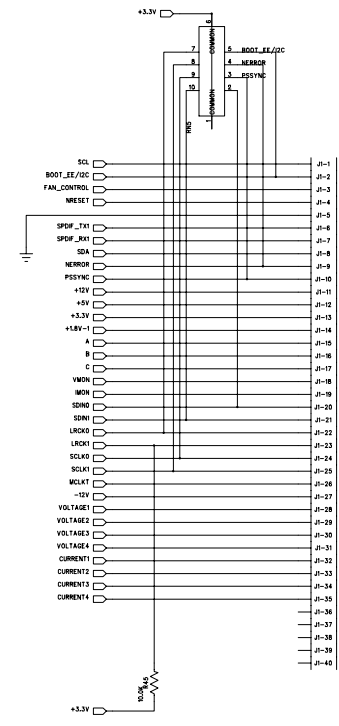
4

3

2

1

| REVISION RECORD |          |           |       |
|-----------------|----------|-----------|-------|
| LTR             | EDD. NO. | APPROVED: | DATE: |
|                 |          |           |       |
|                 |          |           |       |



In/Out Headers

COMPANY: Renkus-Heinz Inc.  
TITLE: Cobranet/DSP

|                  |                |       |       |             |      |
|------------------|----------------|-------|-------|-------------|------|
| DRAWN: DF        | DATE: 01/11/08 | CODE: | SIZE: | DRAWING NO: | REV: |
| CHECKED:         | DATE:          |       |       | 700-PCA1286 | M    |
| QUALITY CONTROL: | DATE:          |       |       |             |      |
| RELEASED:        | DATE:          |       |       |             |      |

6

5

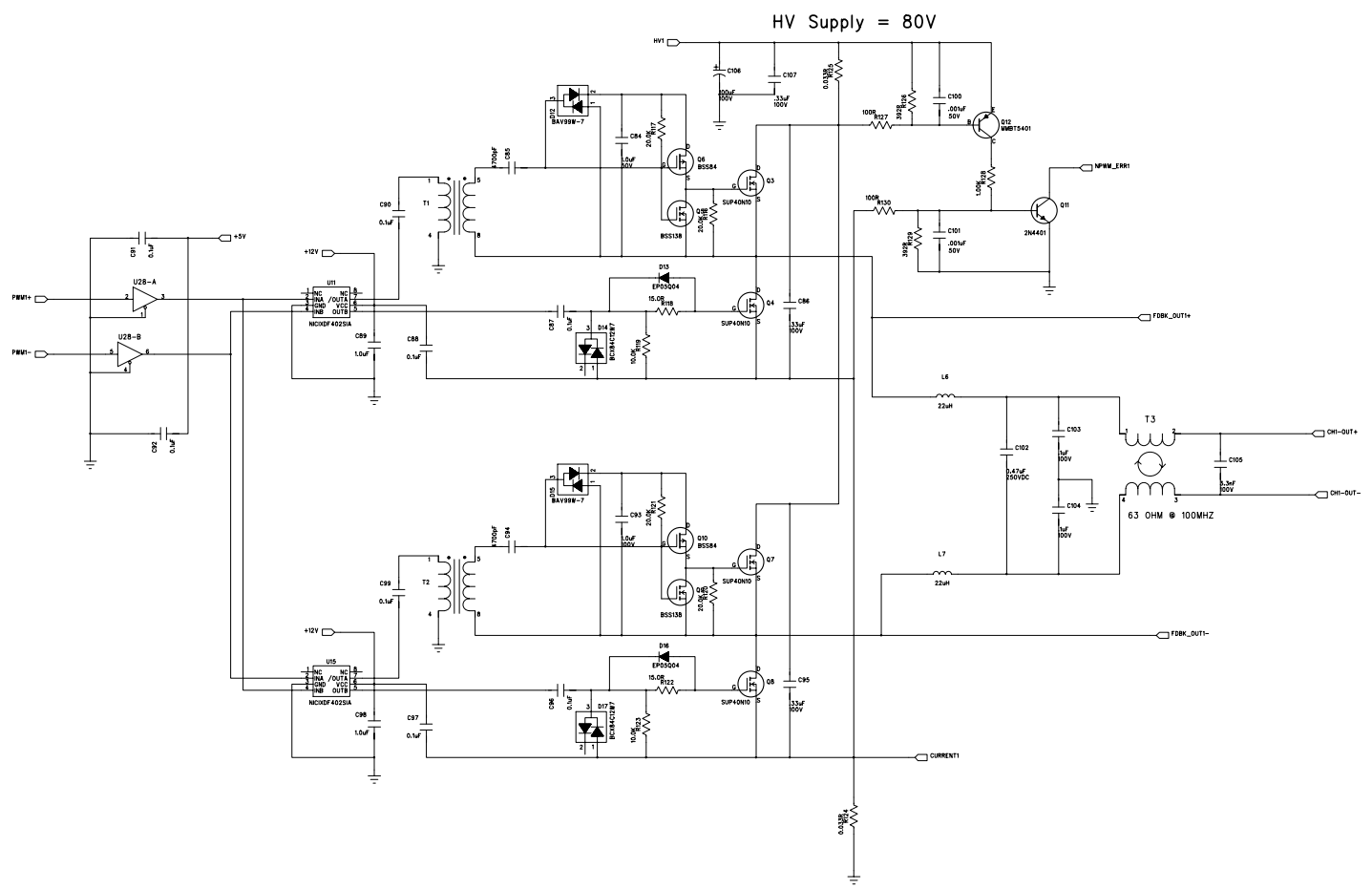
4

3

2

1

| REVISION RECORD |         |           |       |
|-----------------|---------|-----------|-------|
| LTR             | ECO NO. | APPROVED: | DATE: |
|                 |         |           |       |
|                 |         |           |       |

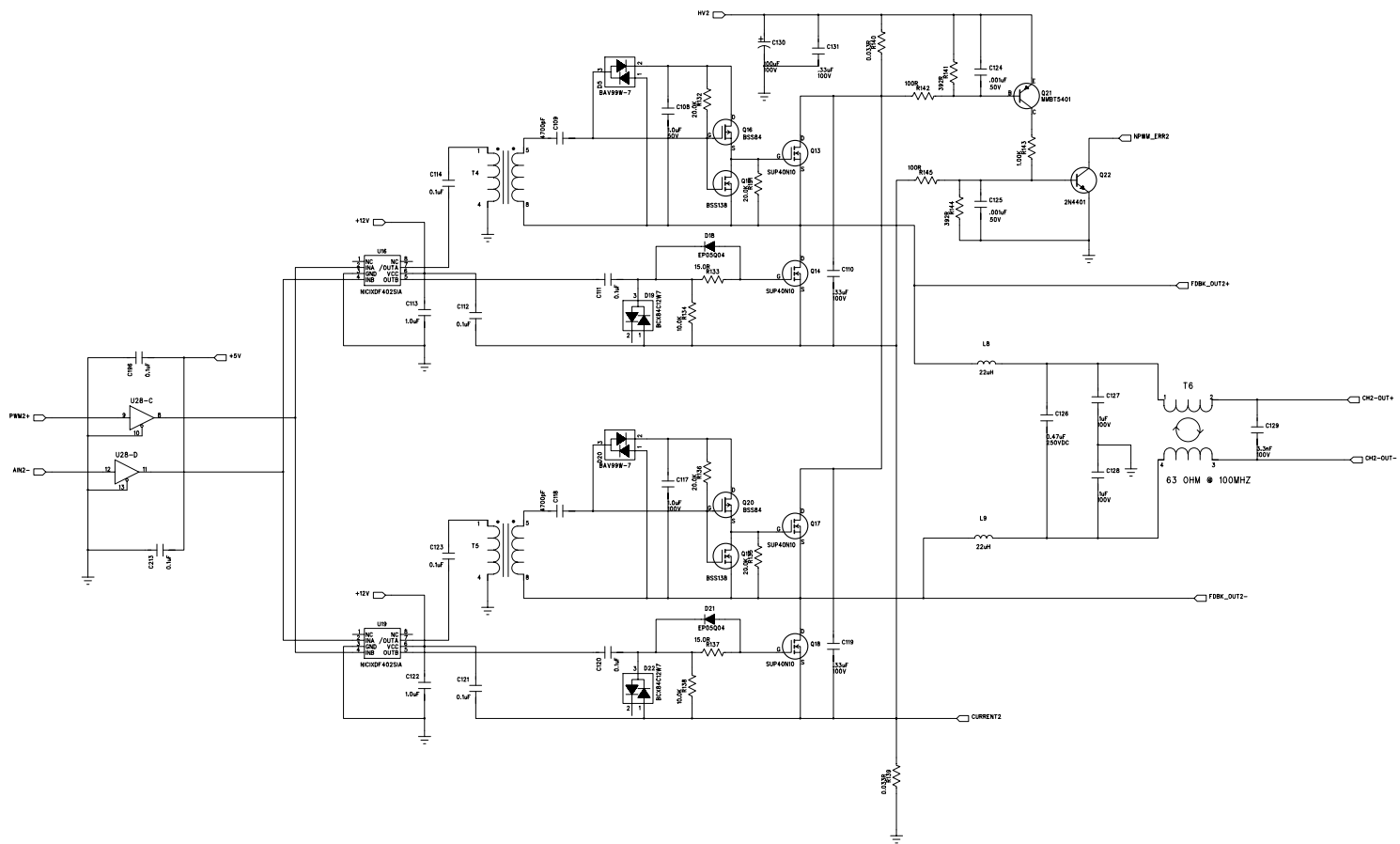


Channel 1

|                    |  |                |  |                          |                |                |  |
|--------------------|--|----------------|--|--------------------------|----------------|----------------|--|
| DRAWN: DMF         |  | DATE: 04/06/09 |  | COMPANY: Renkus-Heinz    |                |                |  |
| CHECKED: K         |  | DATE: K        |  | TITLE: D2 High Power Amp |                |                |  |
| QUALITY CONTROL: K |  | DATE: K        |  | CODE: D                  | SIZE: PCA-1XXX | REV: A         |  |
| RELEASED: K        |  | DATE: K        |  | SCALE: _                 |                | SHEET: 4 OF 10 |  |

6 5 4 3 2 1

| REVISION RECORD |          |           |       |
|-----------------|----------|-----------|-------|
| LTR             | EDD. NO. | APPROVED: | DATE: |
|                 |          |           |       |
|                 |          |           |       |



Channel 3

|                    |  |                |  |                          |                      |
|--------------------|--|----------------|--|--------------------------|----------------------|
| DRAWN: DMF         |  | DATE: 04/06/09 |  | COMPANY: Renkus-Heinz    |                      |
| CHECKED: K         |  | DATE: K        |  | TITLE: D2 High Power Amp |                      |
| QUALITY CONTROL: K |  | DATE: K        |  | CODE: D                  | DRAWING NO: PCA-1XXX |
| RELEASED: K        |  | DATE: K        |  | SCALE: _                 | REV: A               |
| SHEET: 5 OF 10     |  |                |  |                          |                      |

6

5

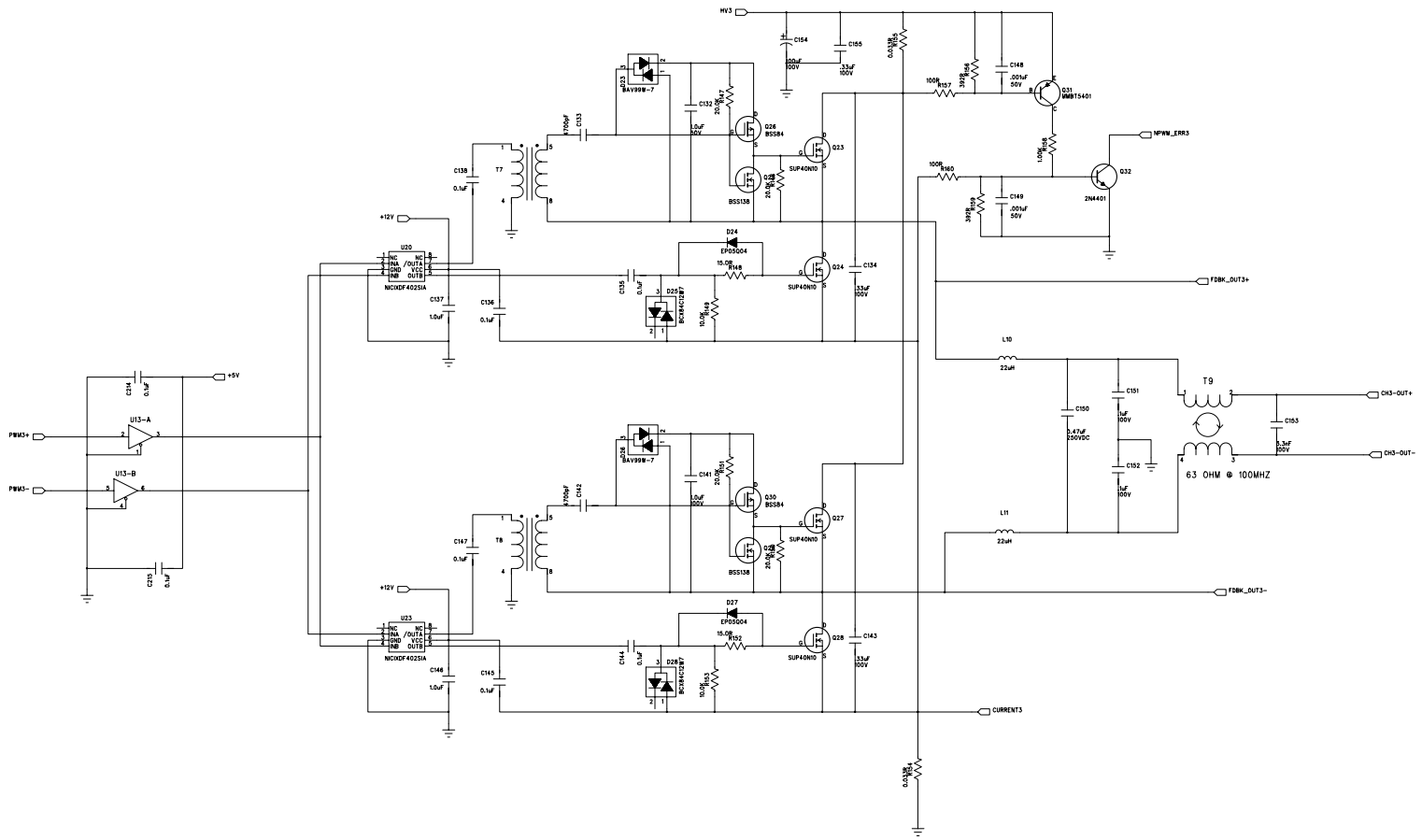
4

3

2

1

| REVISION RECORD |          |           |       |
|-----------------|----------|-----------|-------|
| LTR             | ECO. NO. | APPROVED: | DATE: |
|                 |          |           |       |
|                 |          |           |       |

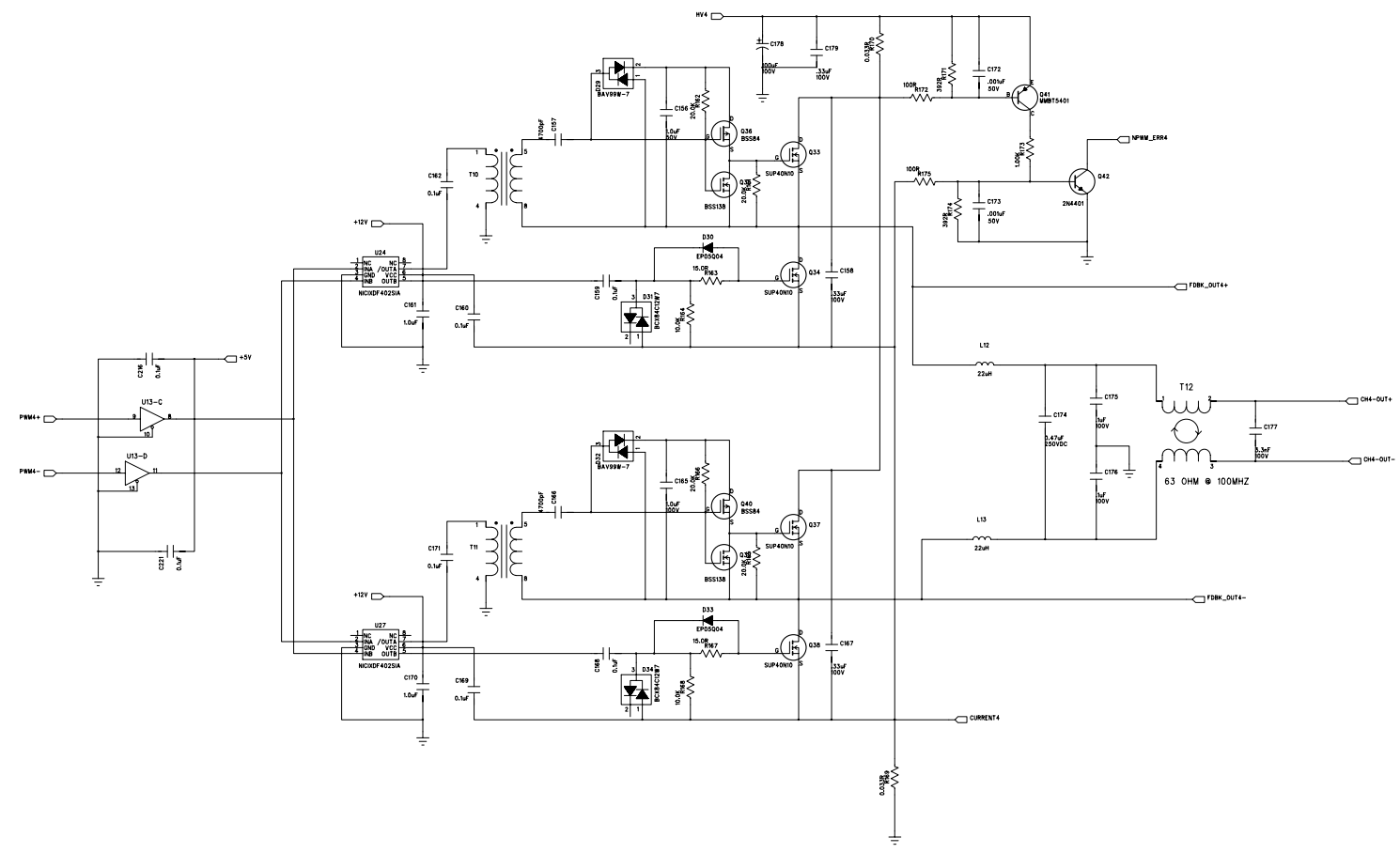


Channel 3

|                    |  |                |  |                          |                      |
|--------------------|--|----------------|--|--------------------------|----------------------|
| DRAWN: DMF         |  | DATE: 04/06/09 |  | COMPANY: Renkus-Heinz    |                      |
| CHECKED: K         |  | DATE: K        |  | TITLE: D2 High Power Amp |                      |
| QUALITY CONTROL: K |  | DATE: K        |  | CODE: D                  | DRAWING NO: PCA-1XXX |
| RELEASED: K        |  | DATE: K        |  | SCALE: _                 | REV: A               |
| SHEET: 6 OF 10     |  |                |  |                          |                      |

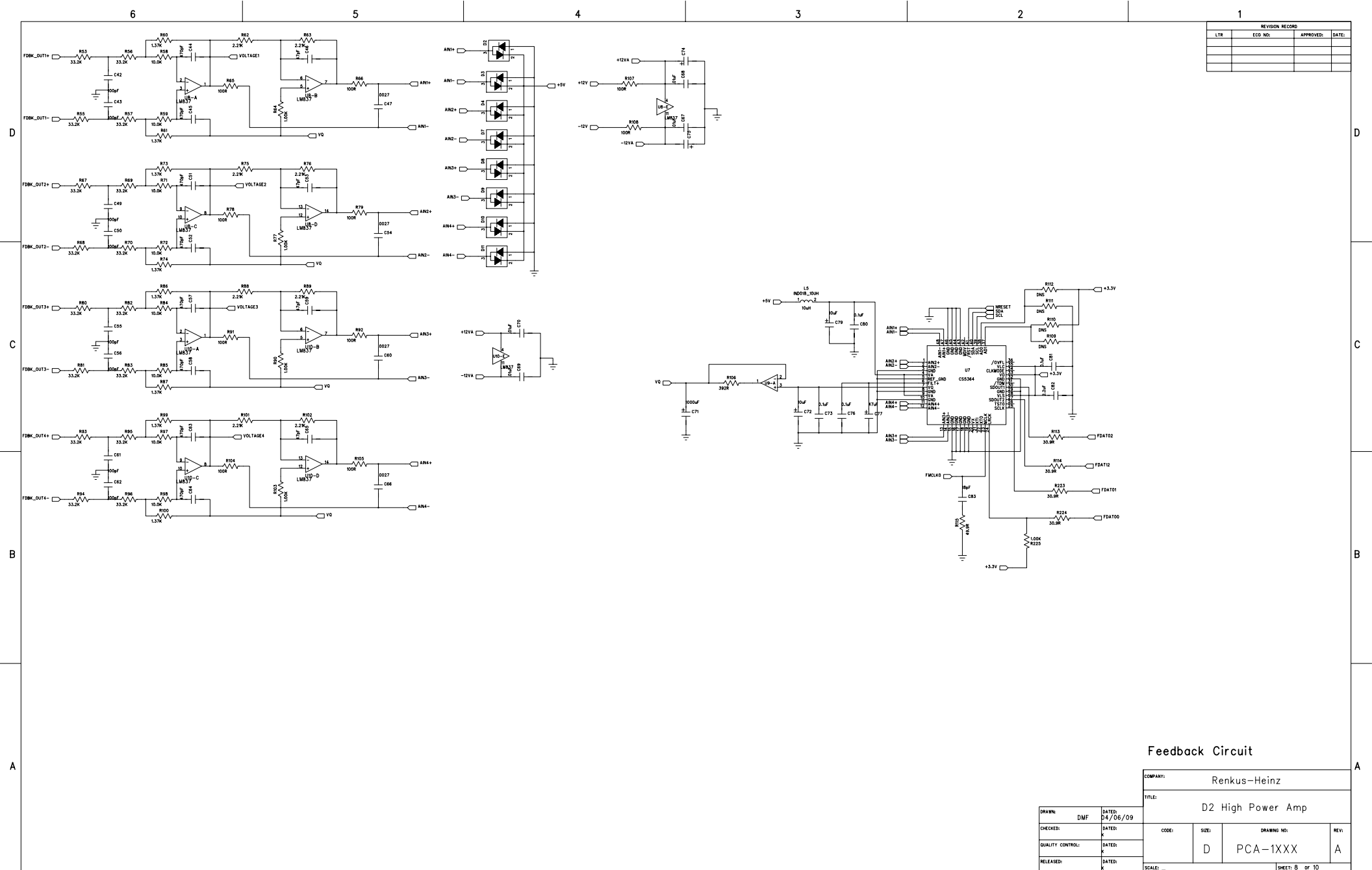
6 5 4 3 2 1

| REVISION RECORD |          |           |       |
|-----------------|----------|-----------|-------|
| LTR             | EDD. NO. | APPROVED: | DATE: |
|                 |          |           |       |
|                 |          |           |       |



Channel 4

|                    |  |                |  |                          |                      |
|--------------------|--|----------------|--|--------------------------|----------------------|
| DRAWN: DMF         |  | DATE: 04/06/09 |  | COMPANY: Renkus-Heinz    |                      |
| CHECKED: K         |  | DATE: K        |  | TITLE: D2 High Power Amp |                      |
| QUALITY CONTROL: K |  | DATE: K        |  | CODE: D                  | DRAWING NO: PCA-1XXX |
| RELEASED: K        |  | DATE: K        |  | SCALE: _                 | REV: A               |
|                    |  |                |  | SHEET: 7 OF 10           |                      |



| REVISION RECORD |          |           |       |
|-----------------|----------|-----------|-------|
| LTR             | EGD. NO. | APPROVED: | DATE: |
|                 |          |           |       |
|                 |          |           |       |

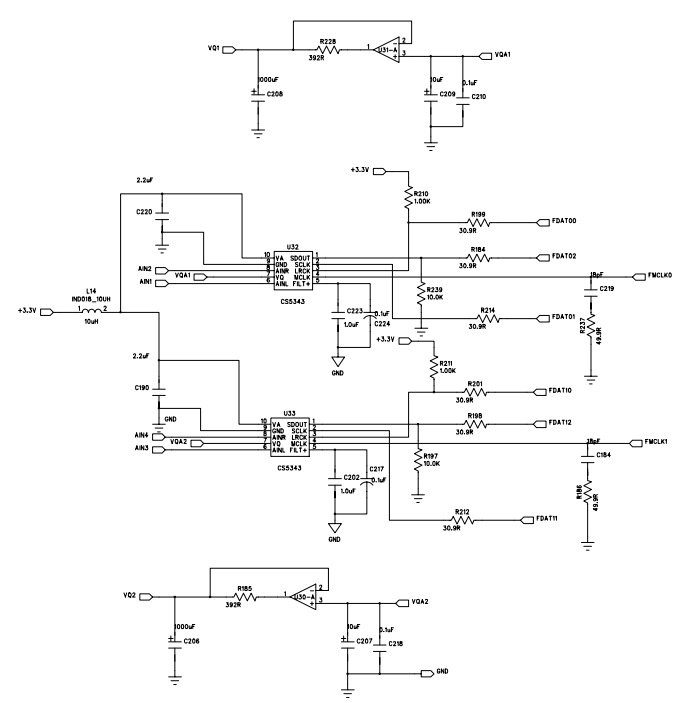
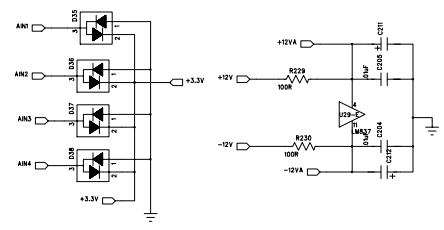
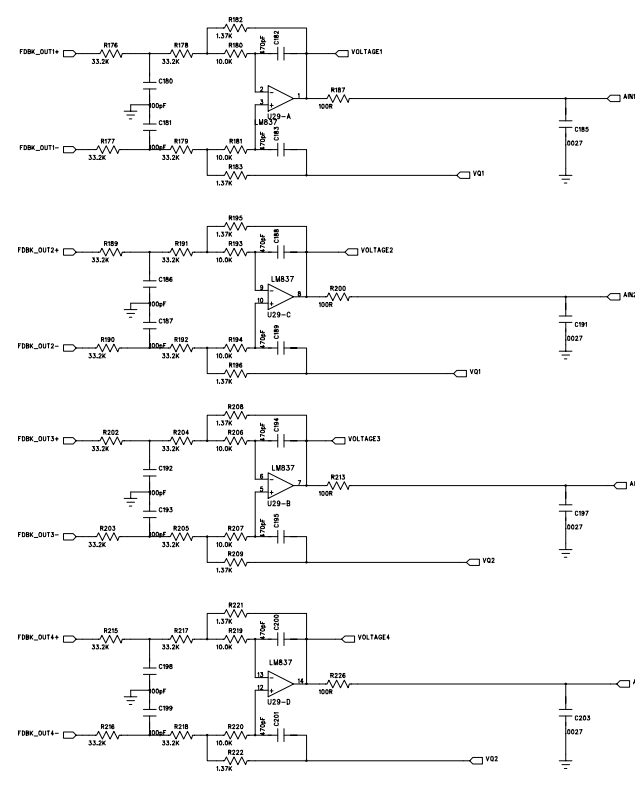
Feedback Circuit

|                  |     |                   |          |                |          |
|------------------|-----|-------------------|----------|----------------|----------|
| COMPANY:         |     | Renkus-Heinz      |          |                |          |
| TITLE:           |     | D2 High Power Amp |          |                |          |
| DRAWN:           | DMF | DATE:             | 04/06/09 | CODE:          |          |
| CHECKED:         |     | DATED:            |          | SIZE:          |          |
| QUALITY CONTROL: |     | DATE:             |          | DRAWING NO.:   | PCA-1XXX |
| RELEASED:        |     | DATE:             |          | REV:           | A        |
| SCALE:           |     |                   |          | SHEET: 8 OF 10 |          |

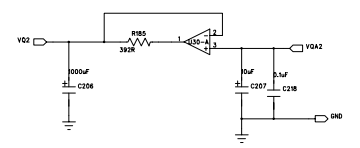


6 5 4 3 2 1

| REVISION RECORD |         |           |       |
|-----------------|---------|-----------|-------|
| LTR             | ECN NO. | APPROVED: | DATE: |
|                 |         |           |       |
|                 |         |           |       |



Alternate Feedback Circuit



|                  |     |                   |          |                |          |
|------------------|-----|-------------------|----------|----------------|----------|
| COMPANY:         |     | Renkus-Heinz      |          |                |          |
| TITLE:           |     | D2 High Power Amp |          |                |          |
| DRAWN:           | DMF | DATE:             | 04/06/09 | CODE:          |          |
| CHECKED:         |     | DATE:             |          | SIZE:          |          |
| QUALITY CONTROL: |     | DATE:             |          | DRAWING NO.:   | PCA-1XXX |
| RELEASED:        |     | DATE:             |          | REV:           | A        |
| SCALE:           |     |                   |          | SHEET: 9 OF 10 |          |

6

5

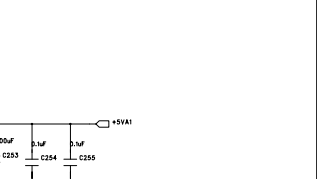
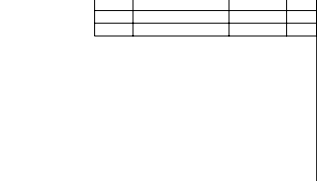
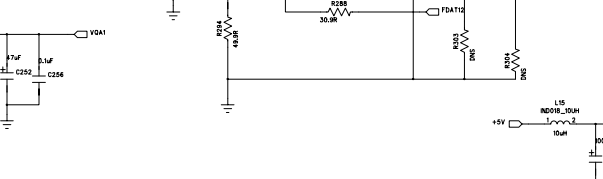
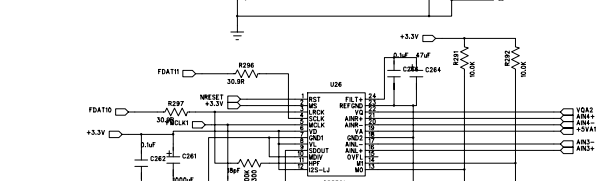
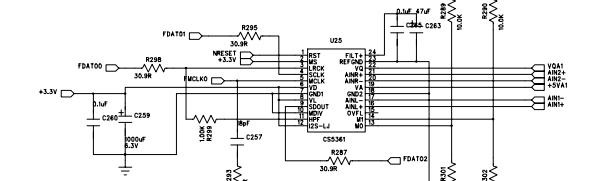
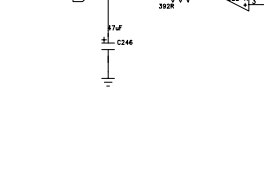
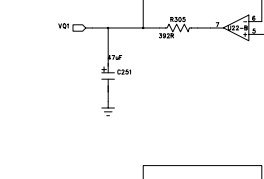
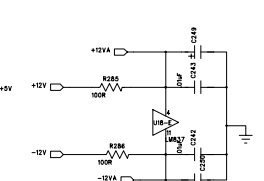
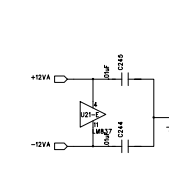
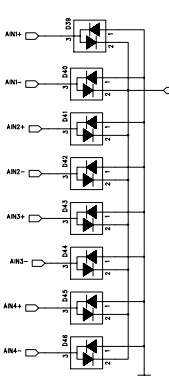
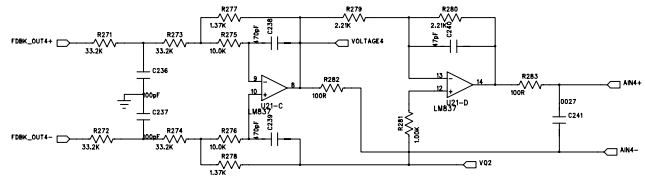
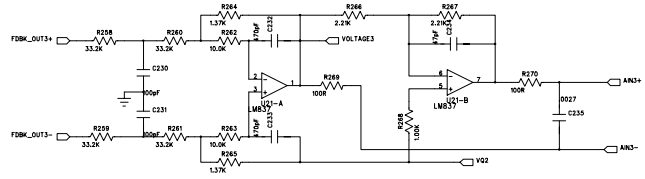
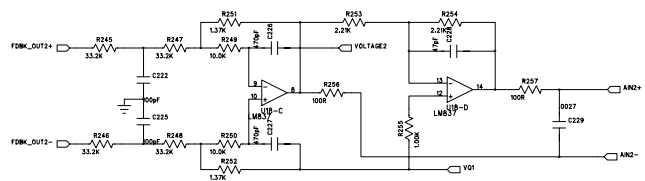
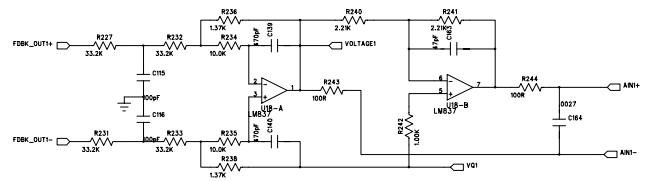
4

3

2

1

| REVISION RECORD |          |           |       |
|-----------------|----------|-----------|-------|
| LTR             | EDD. NO. | APPROVED: | DATE: |
|                 |          |           |       |
|                 |          |           |       |



|                  |     |                   |          |                 |          |
|------------------|-----|-------------------|----------|-----------------|----------|
| COMPANY:         |     | Renkus-Heinz      |          |                 |          |
| TITLE:           |     | D2 High Power Amp |          |                 |          |
| DRAWN:           | DMF | DATE:             | 04/06/09 | CODE:           |          |
| CHECKED:         |     | DATE:             |          | SIZE:           |          |
| QUALITY CONTROL: |     | DATE:             |          | DRAWING NO.:    | PCA-1XXX |
| RELEASED:        |     | DATE:             |          | REV:            | A        |
| SCALE:           |     |                   |          | SHEET: 10 of 10 |          |