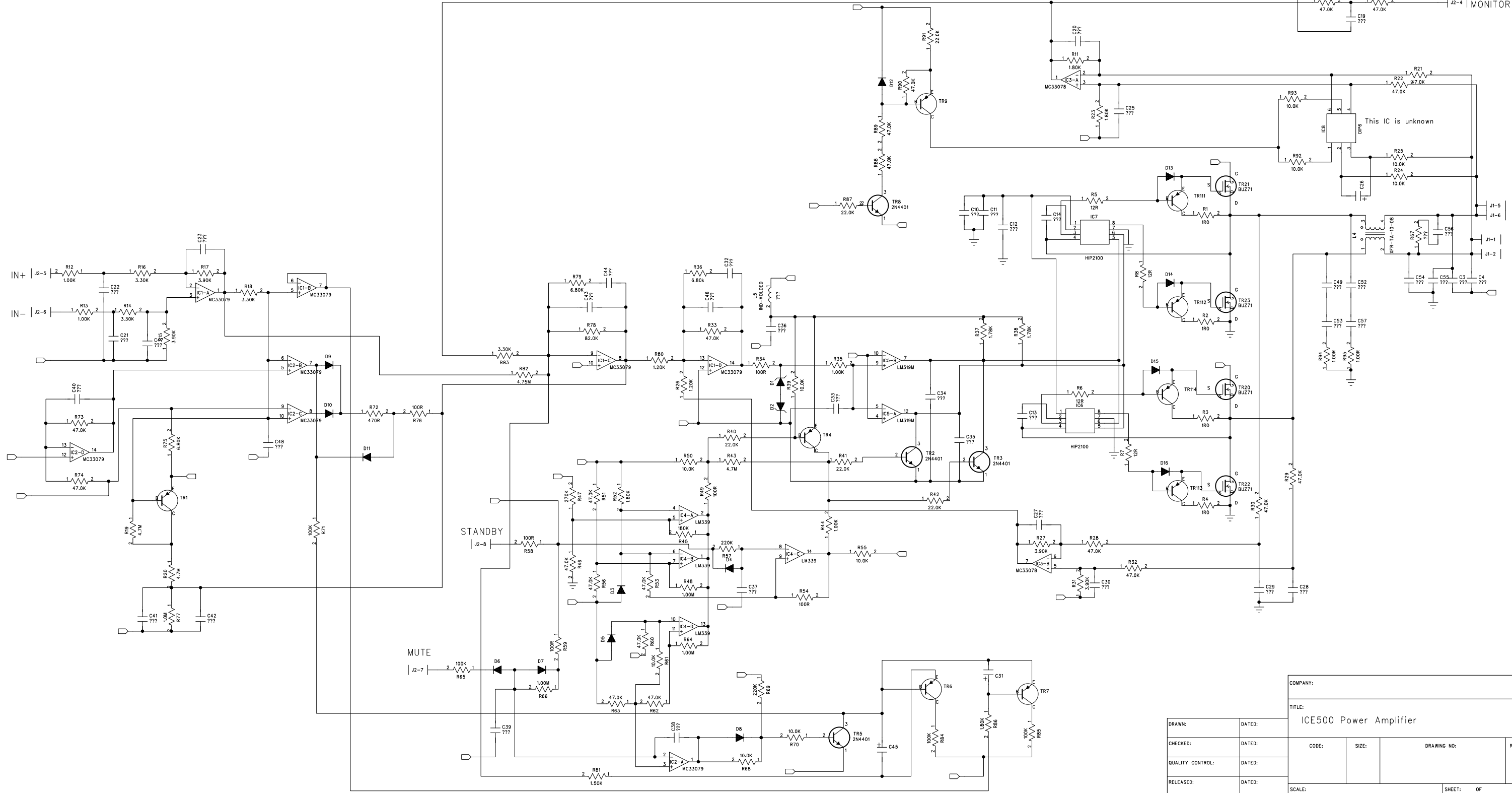
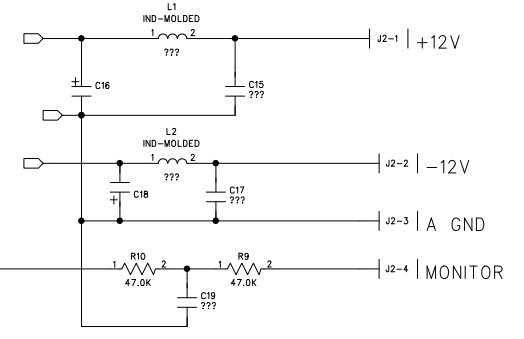
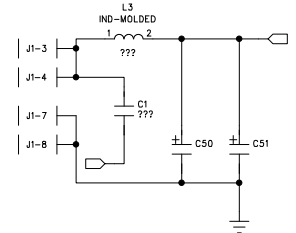


REVISION RECORD			
LTR	ECO NO:	APPROVED:	DATE:

Not Complete - Some traces in inner layers may have been missed

Instance numbers may differ from original

Some capacitor values may be guesses



This IC is unknown

COMPANY:				
TITLE: ICE500 Power Amplifier				
DRAWN:	DATED:	CODE:	SIZE:	DRAWING NO:
CHECKED:	DATED:			REV:
QUALITY CONTROL:	DATED:			
RELEASED:	DATED:	SCALE:		SHEET: OF

