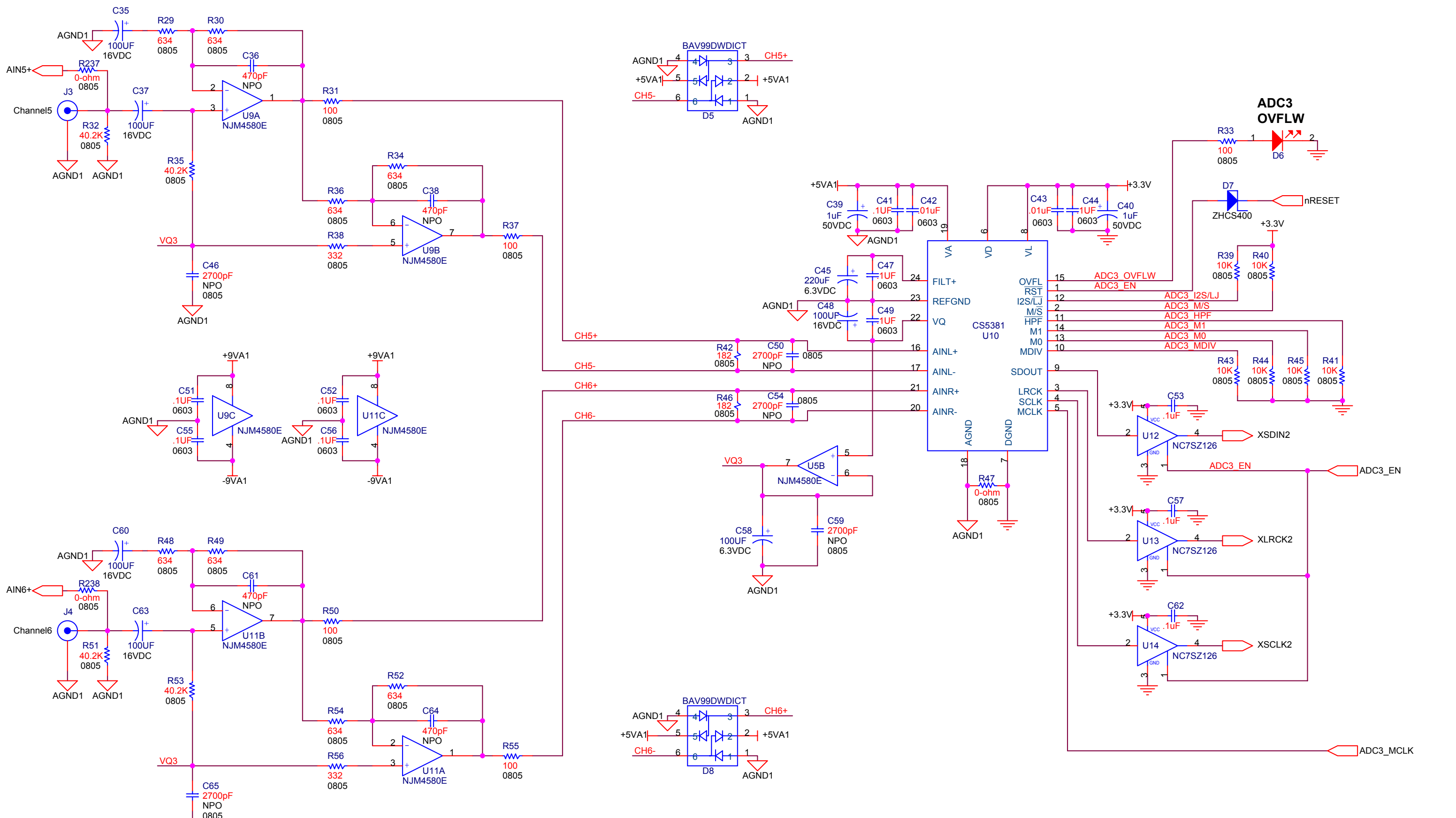
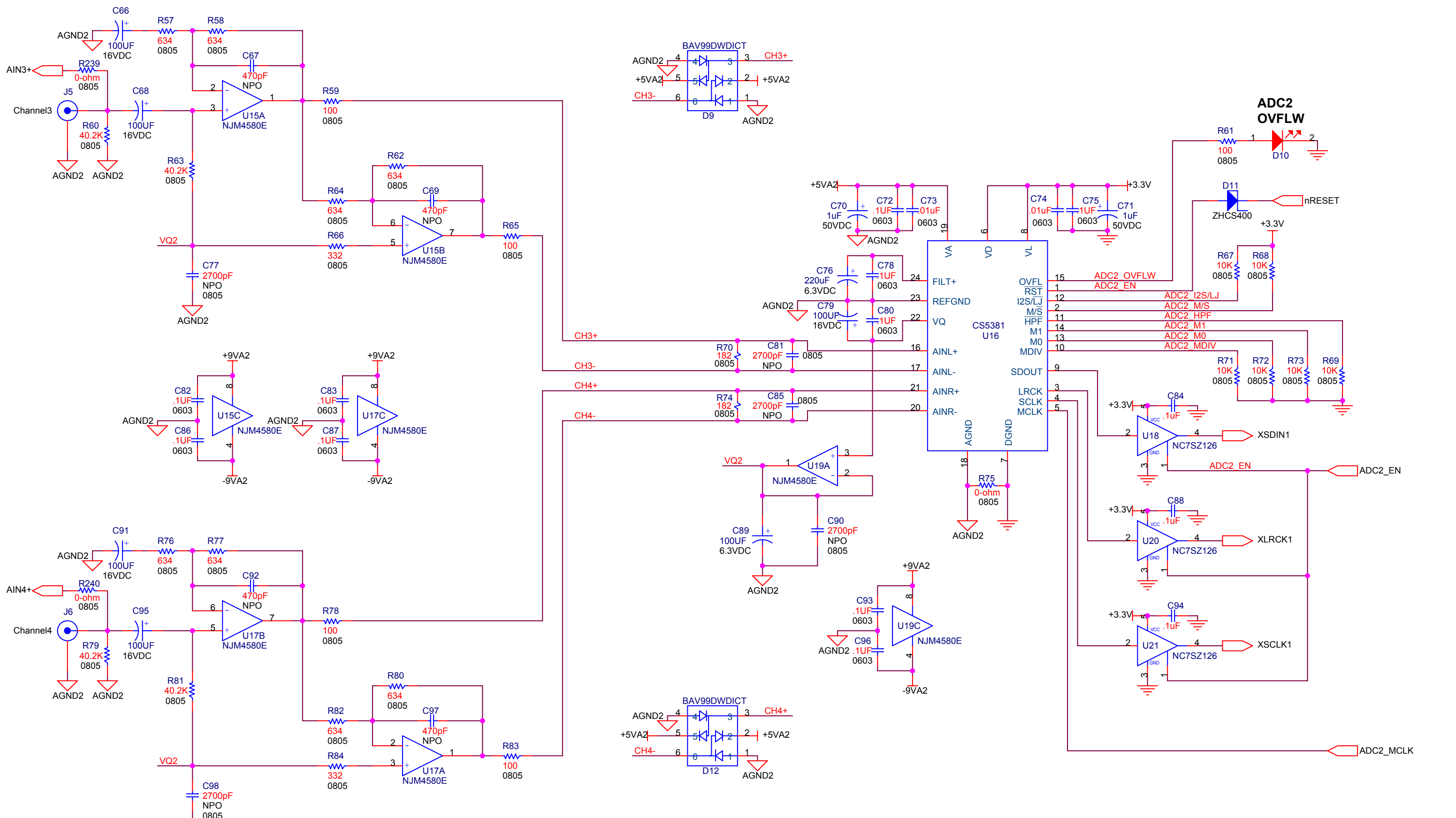
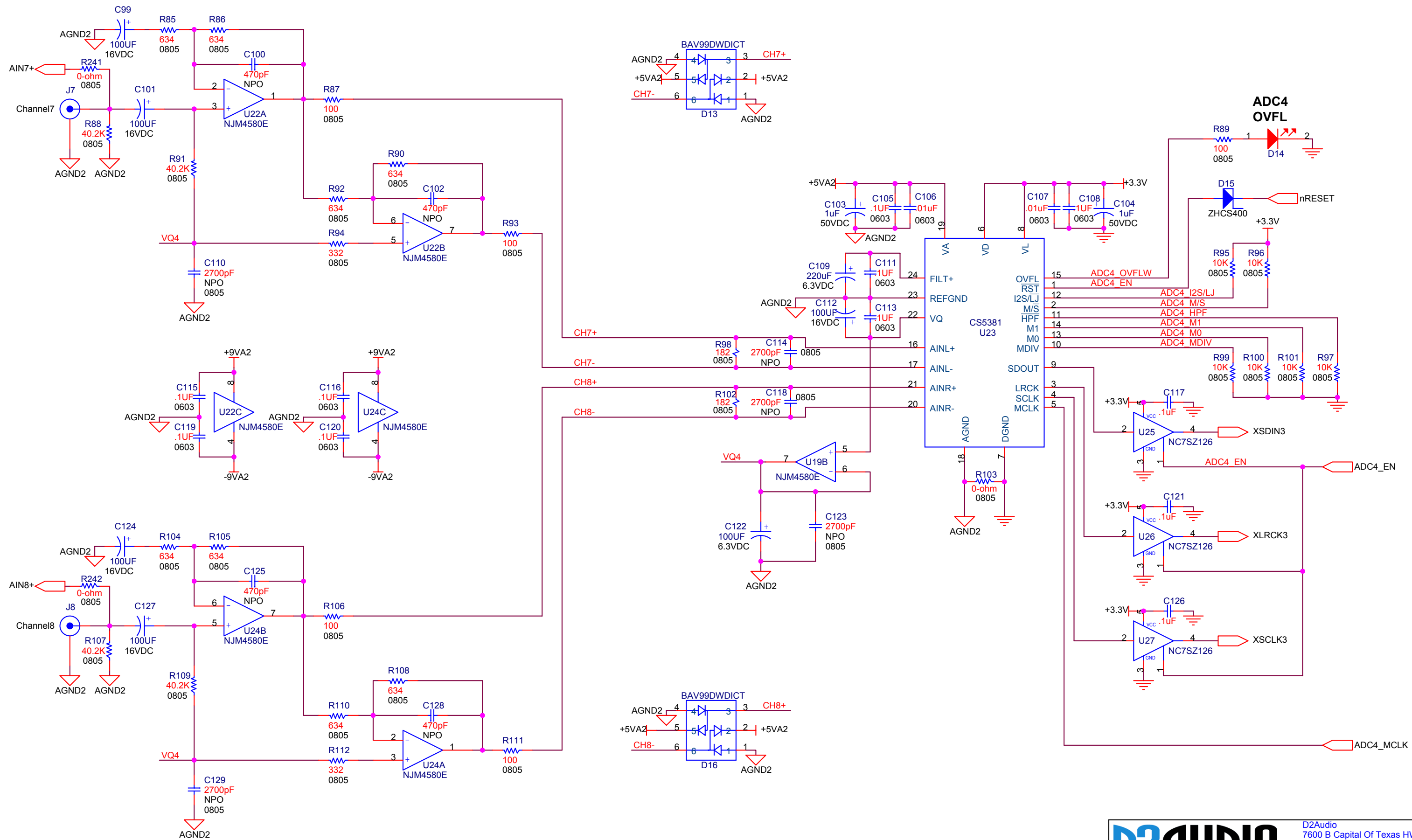


		D2Audio 7600 B Capital Of Texas HWY N Suite 130 Austin, TX 78731	
		Title: <b>Evans/Sofia Mom 3rd Cut</b>	
Size B	Document Number 0070-C00018-001	<b>External ADC1</b>	
Date: Tuesday, February 03, 2004	Sheet 2 of 11	Rev 03 Dennis Caldwell	



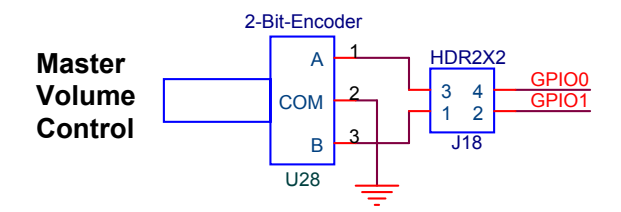
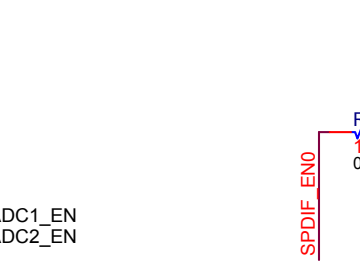
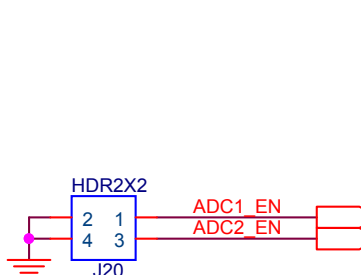
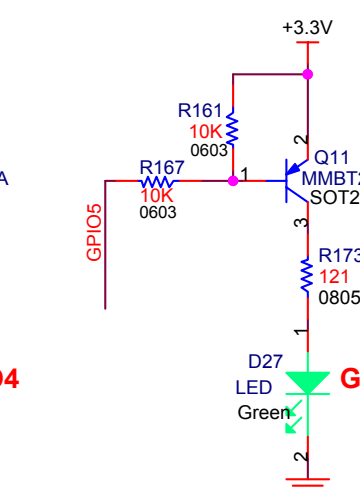
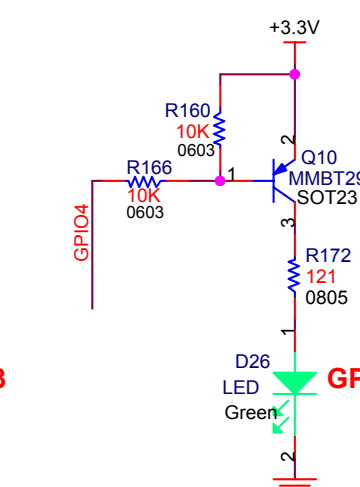
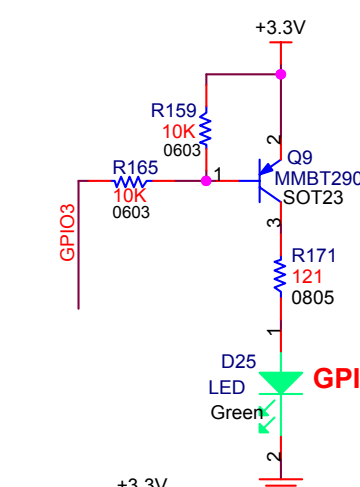
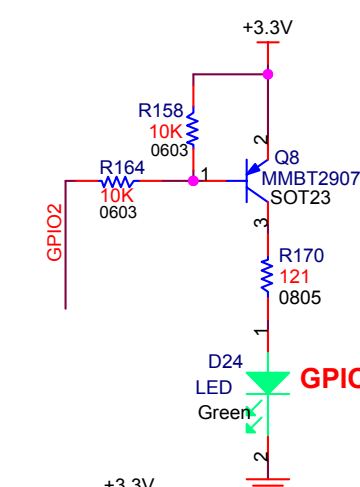
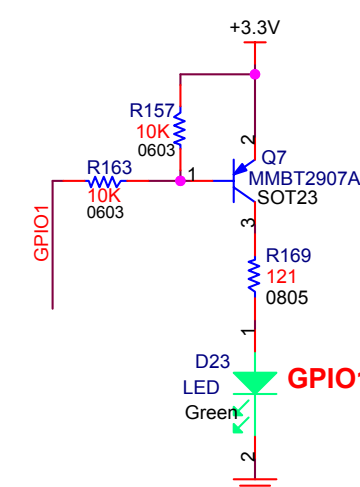
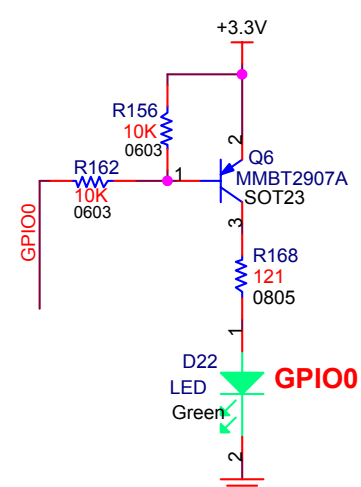
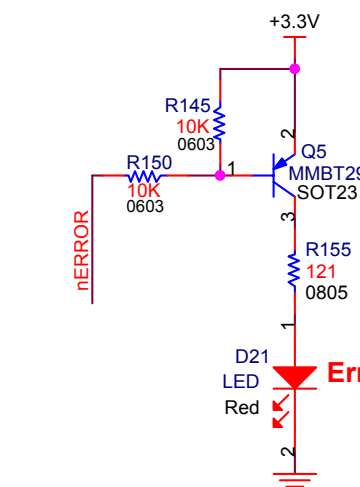
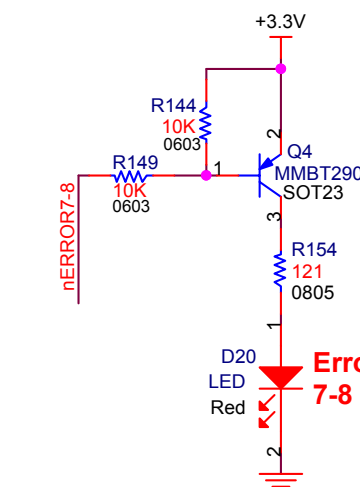
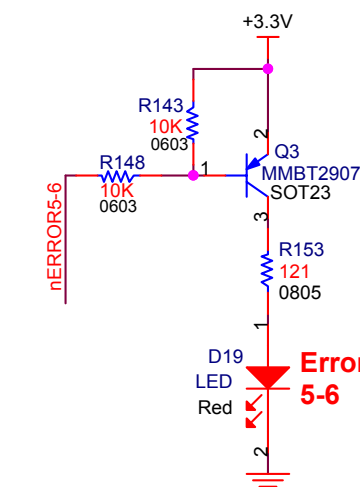
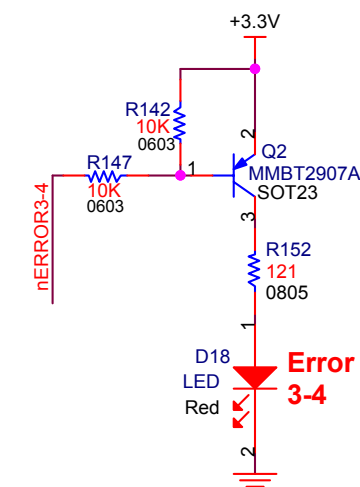
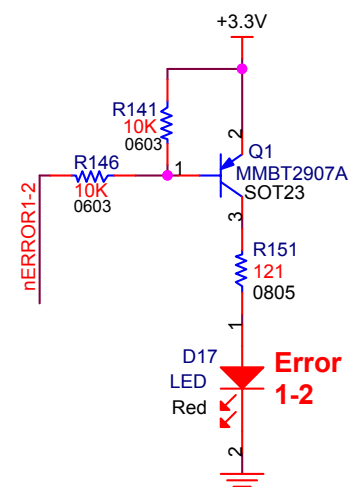
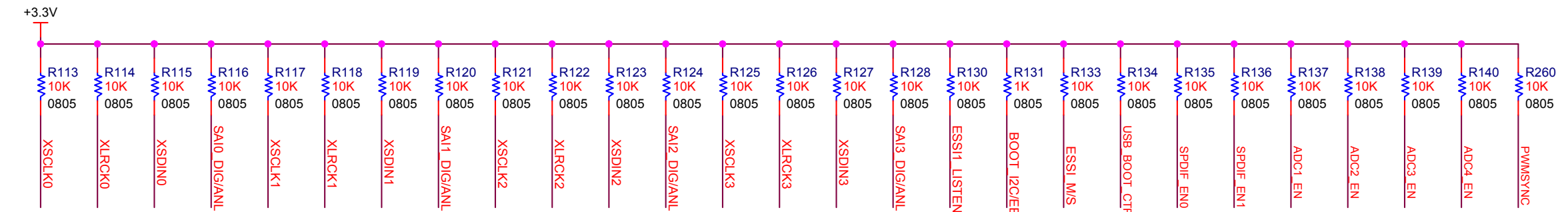
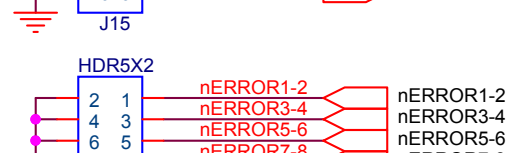
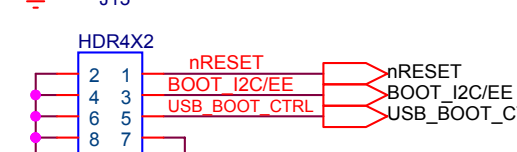
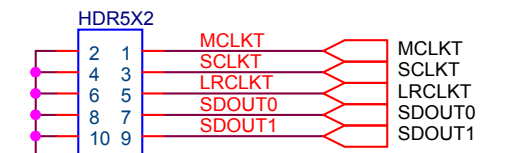
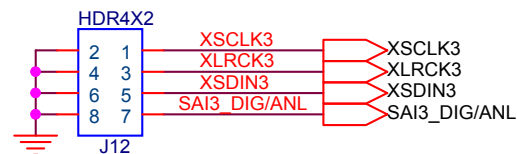
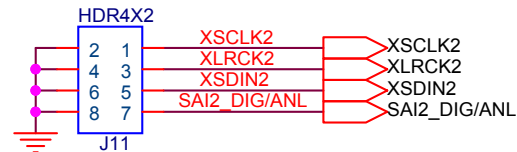
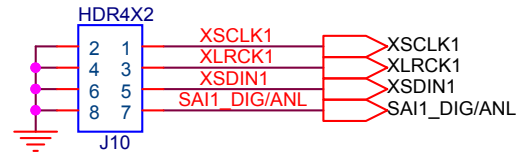
		D2Audio 7600 B Capital Of Texas HWY N Suite 130 Austin, TX 78731	
		Title: <b>Evans/Sofia Mom 3rd Cut</b>	
Size B	Document Number 0070-C00018-001	<b>External ADC3</b>	
Date: Tuesday, February 03, 2004	Sheet 3 of 11	Rev 03	





		D2Audio 7600 B Capital Of Texas HWY N Suite 130 Austin, TX 78731	
		Title: <b>Evans/Sofia Mom 3rd Cut</b>	
Size B	Document Number 0070-C00018-001	<b>External ADC4</b>	
Date: Tuesday, February 03, 2004	Sheet 5 of 11	Rev 03	

# Small Signal I/O Headers



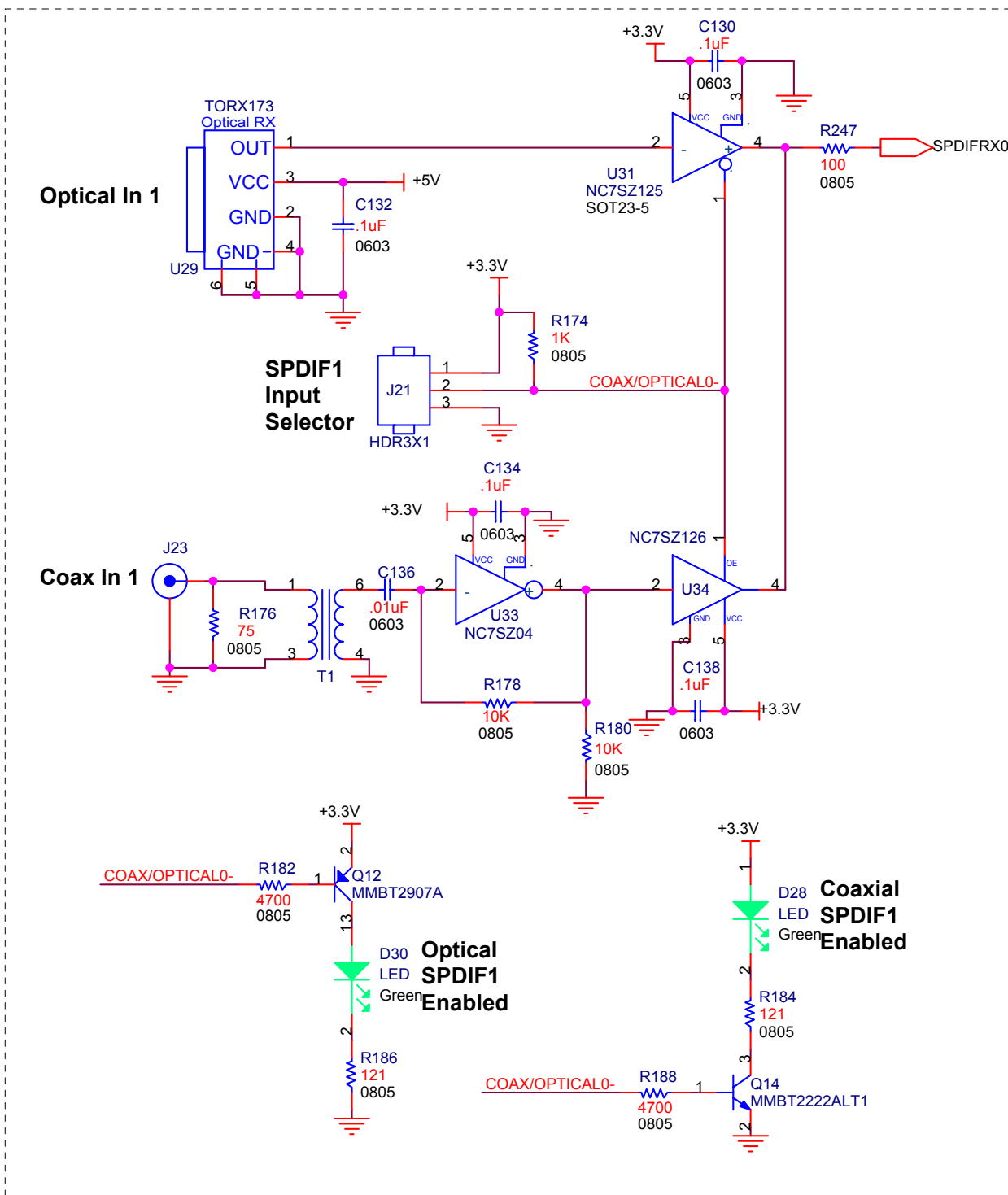
D2AUDIO

D2Audio  
7600 B Capital Of Texas HWY N  
Suite 130  
Austin, TX 78731

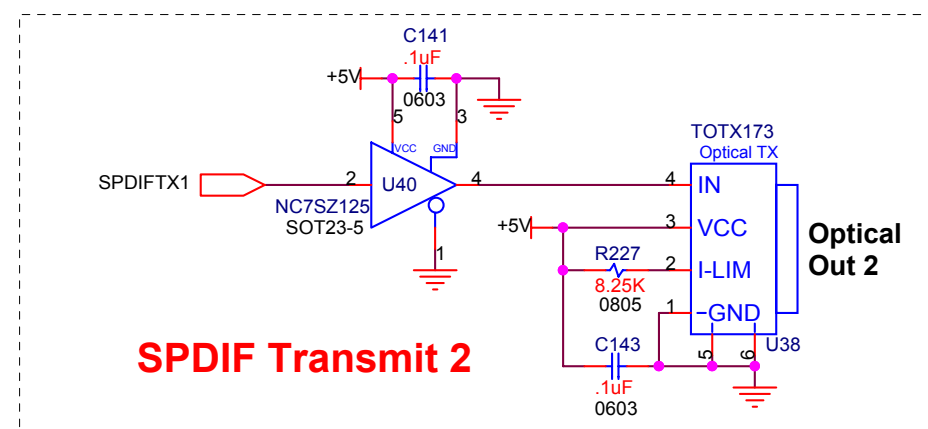
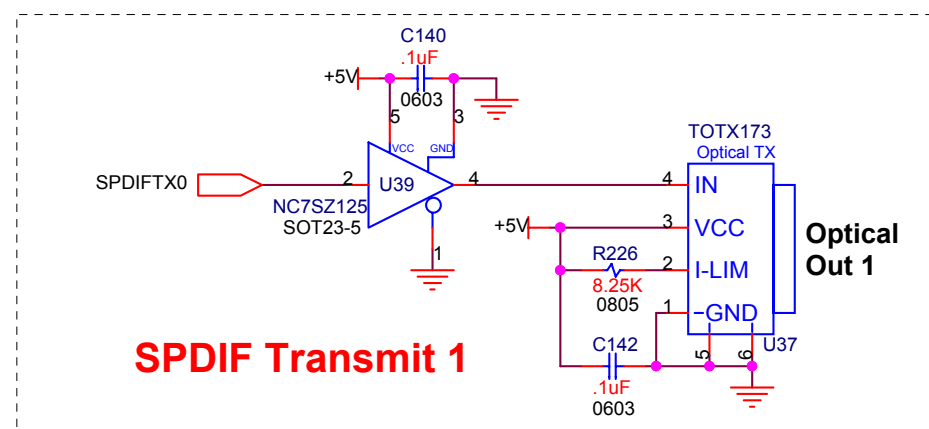
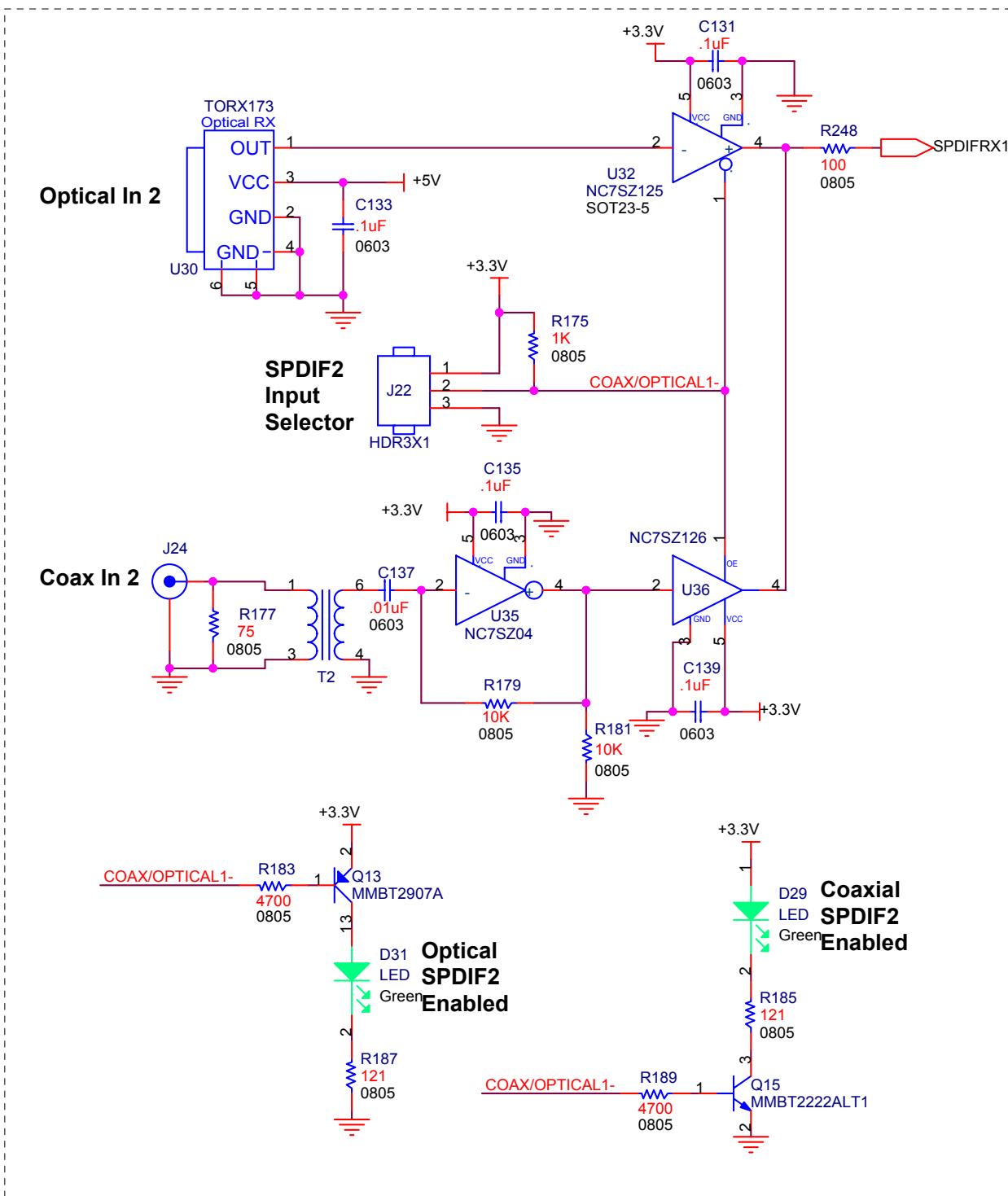
Title		<b>Evans/Sofia Mom 3rd Cut</b>		Dennis Caldwell
Size B	Document Number	<b>Small Signal HDRs &amp; LEDs</b>		Rev
	0070-C00018-001			03
Date:	Tuesday, February 03, 2004	Sheet	6 of 11	

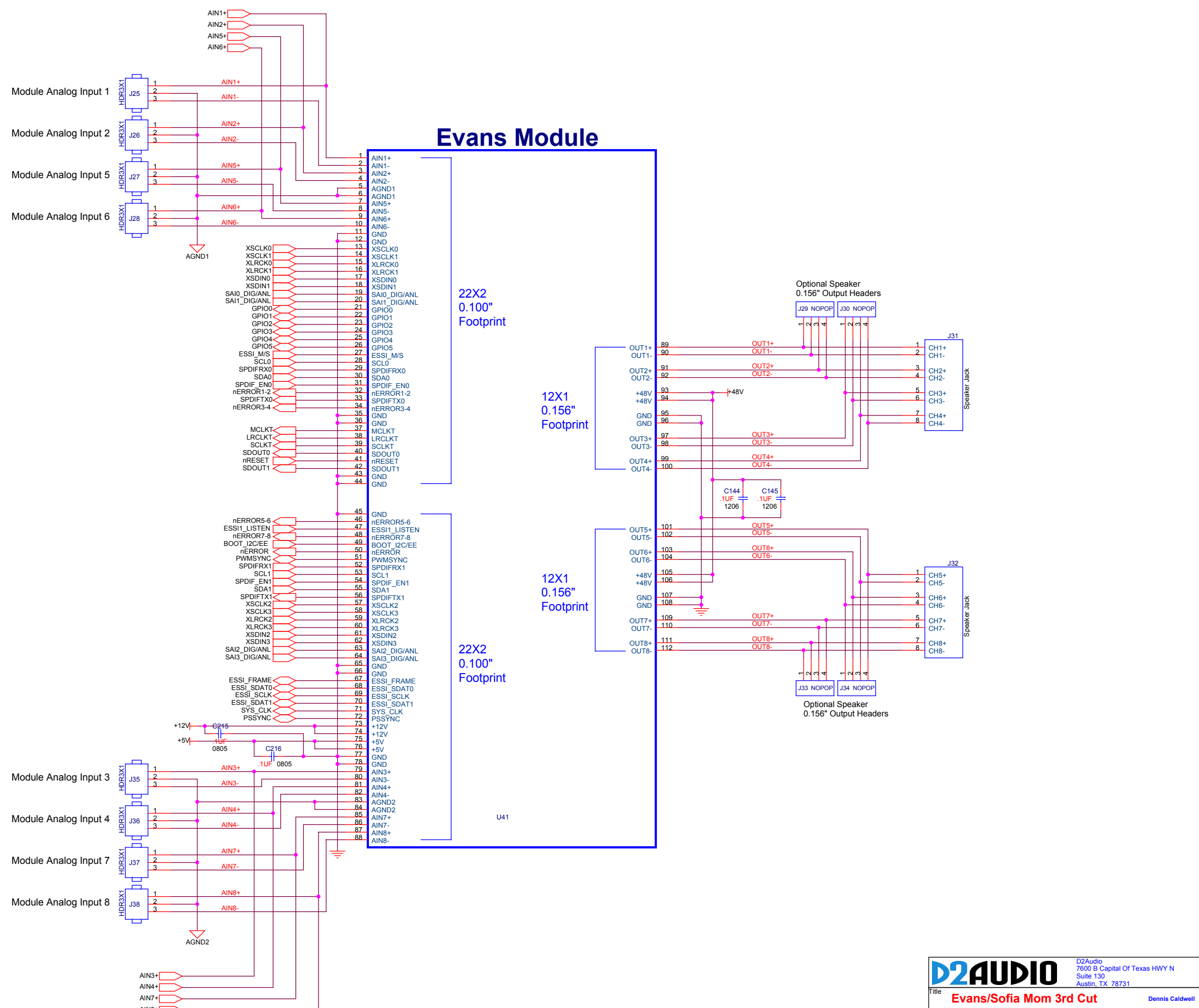


# SPDIF Receive 1



# SPDIF Receive 2





# Evans Module

22X2  
0.100"  
Footprint

12X1  
0.156"  
Footprint

12X1  
0.156"  
Footprint

22X2  
0.100"  
Footprint

Optional Speaker  
0.156" Output Headers

Optional Speaker  
0.156" Output Headers

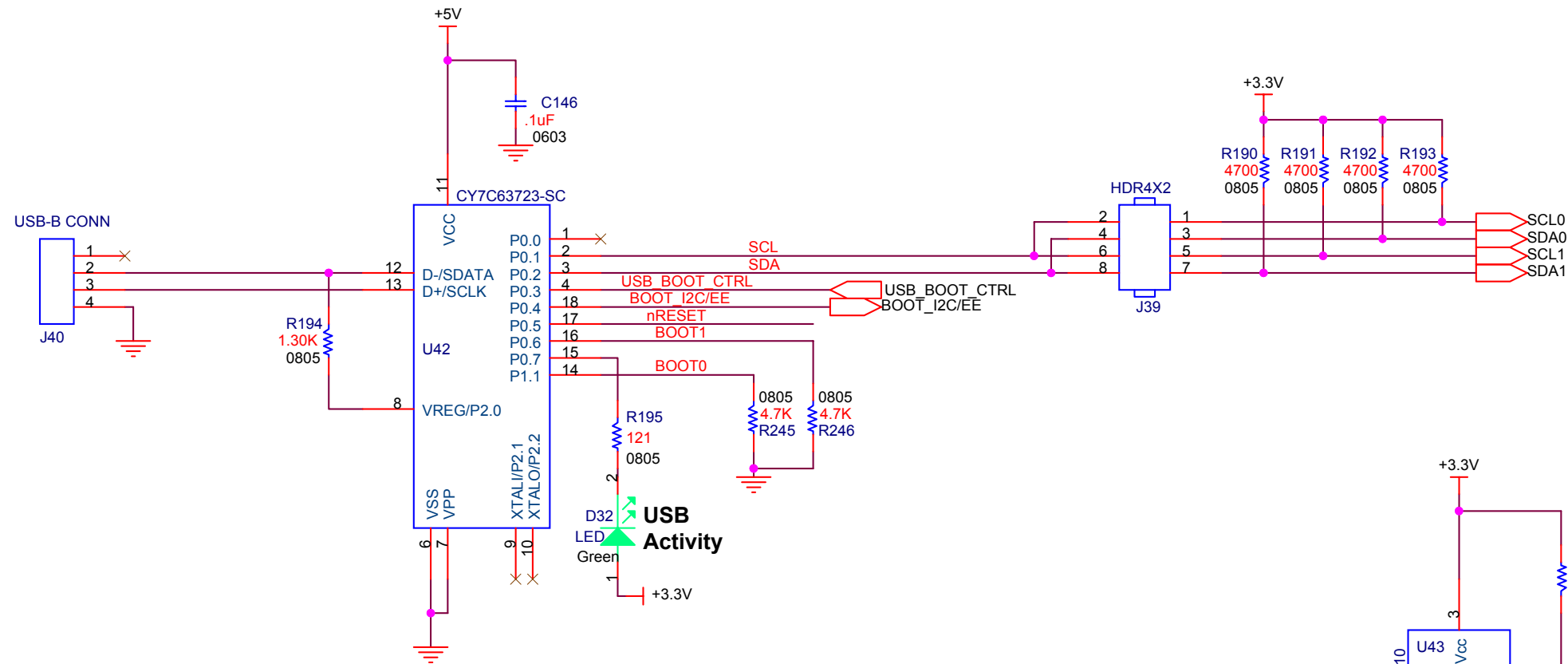
**D2AUDIO**  
 7600 B Capital Of Texas HWY N  
 Suite 130  
 Austin, TX 78731

Title: **Evans/Sofia Mom 3rd Cut** Dennis Caldwell

Size C	Document Number 0070-C00018-001	Module	Rev 03
--------	---------------------------------	--------	--------

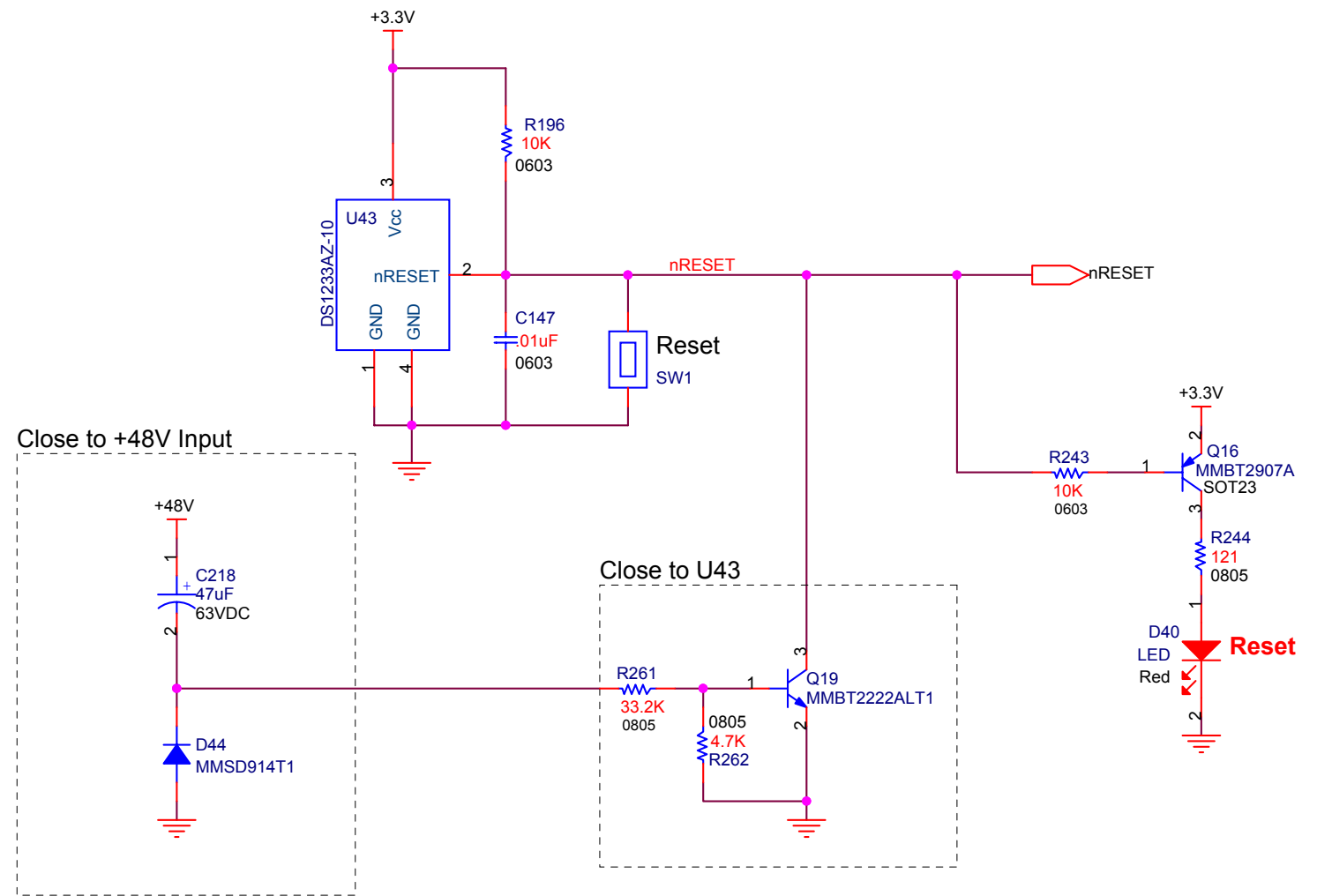
Date: Tuesday, February 03, 2004 Sheet 8 of 11



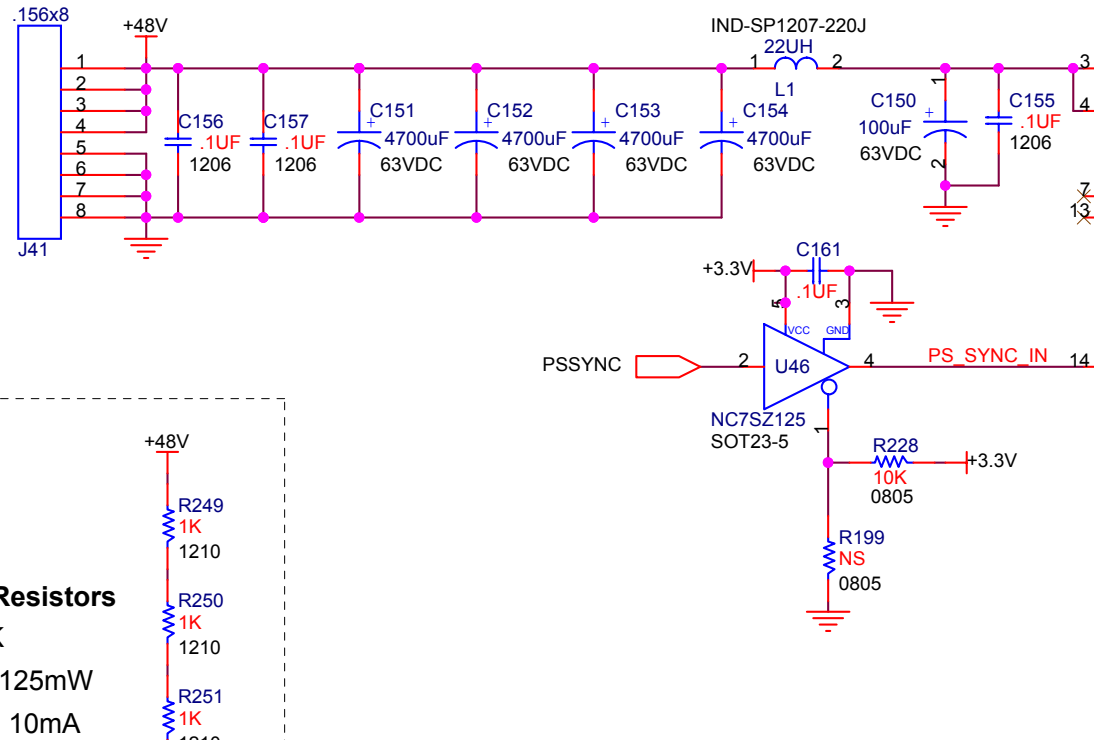


### USB\_BOOT\_CTRL

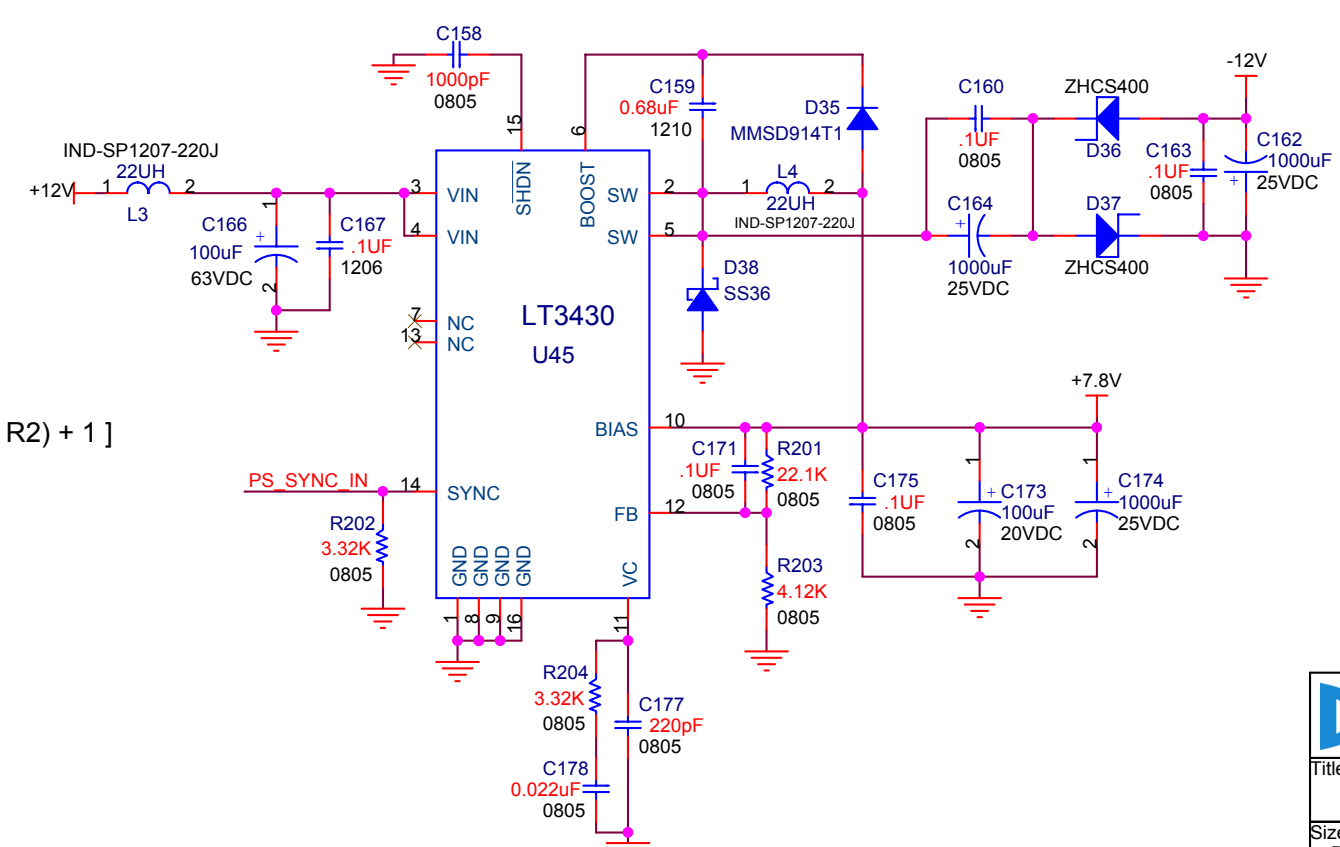
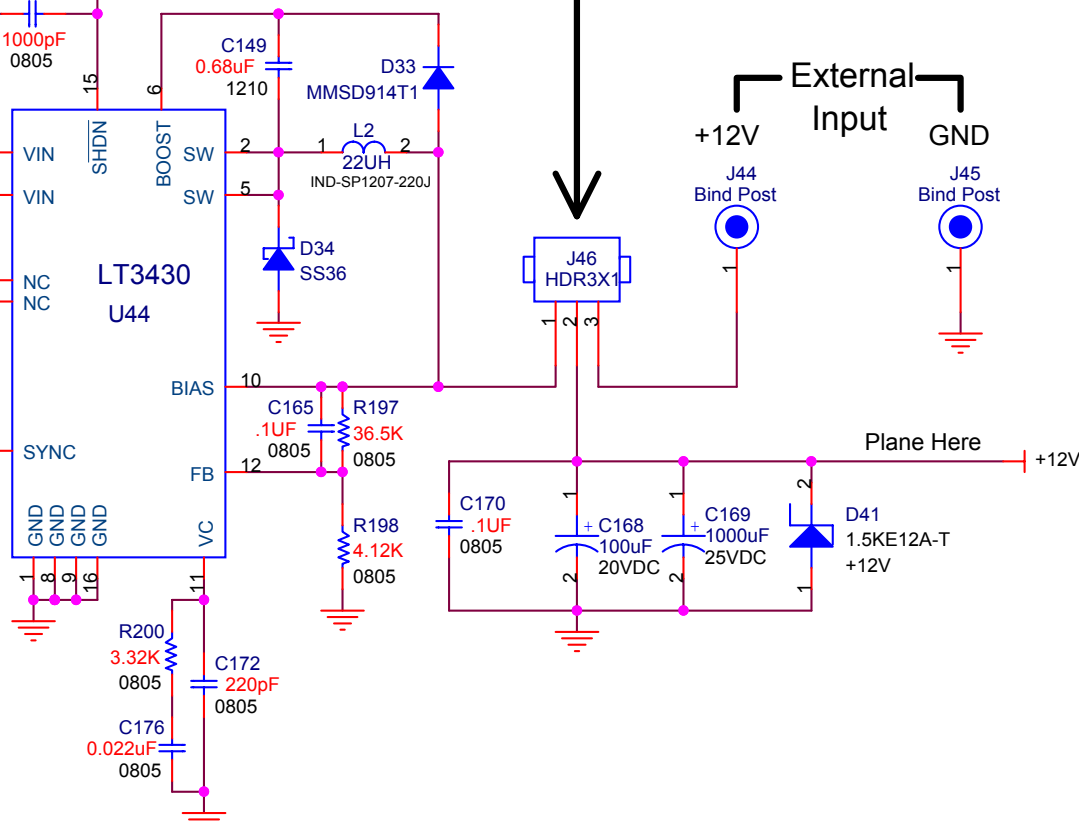
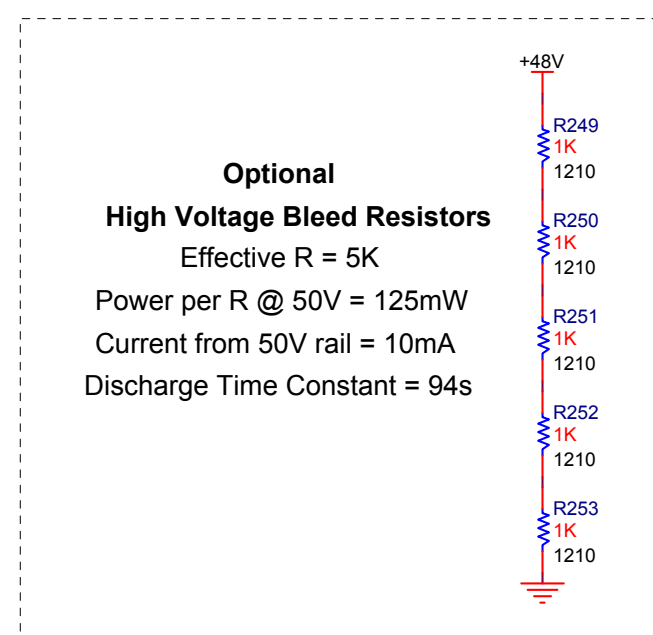
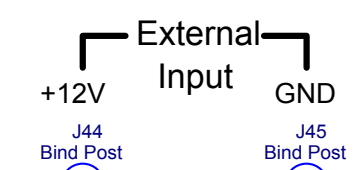
HI - Cypress uP wants to control BOOTn lines  
(must leave BOOTn jumpers unconnected)  
LO - BOOTn jumpers control boot mode



**High Voltage Input**



**Enable +12V Switching Regulator**  
 1 - 2 Enabled = Use +48V to Generate +12V  
 2 - 3 Disabled = Use External Input +12V



LT3430  
 $V_{out} = 1.22 * [(R1 / R2) + 1]$

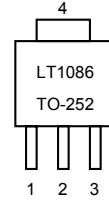
## Digital Supplies

### LT1086 Positive Adj Regulator

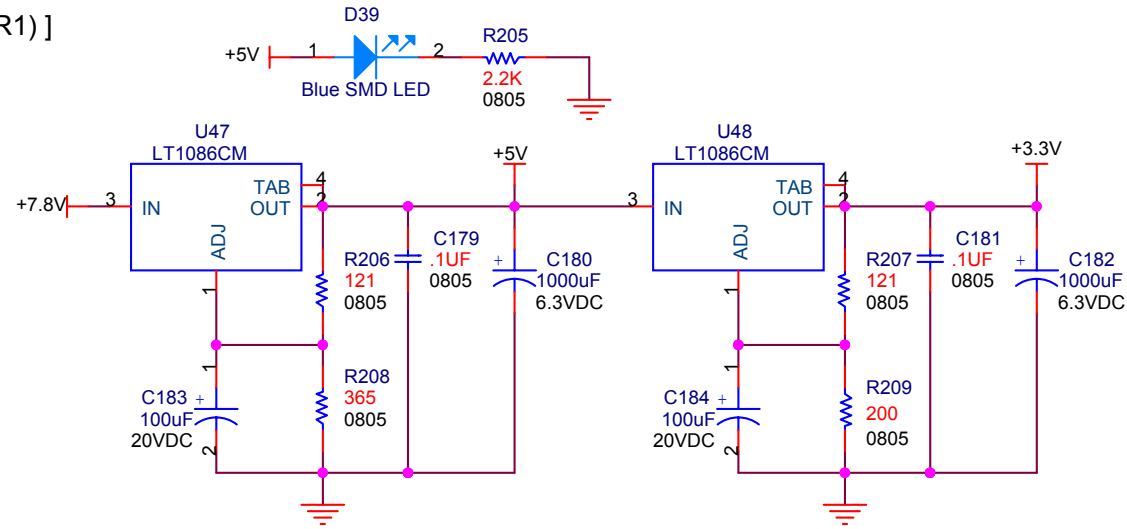
$$V_{out} = V_{ref} * [1 + (R2 / R1)]$$

$$V_{ref} = 1.25V$$

$$R1 = 121 \text{ Ohms}$$



- 1 = ADJ
- 2 = OUT
- 3 = IN
- 4 = Tab = OUT



Both U5 and U6 linear voltage regulators require 1.25 sq" copper for heat sink Pin 2.

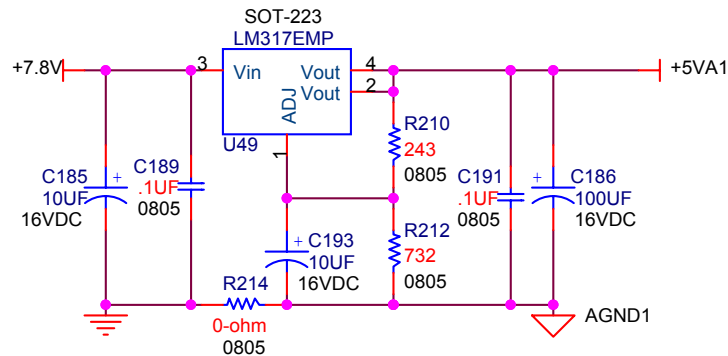
## Analog 1 Supplies

### LM317 Positive Adj Regulator

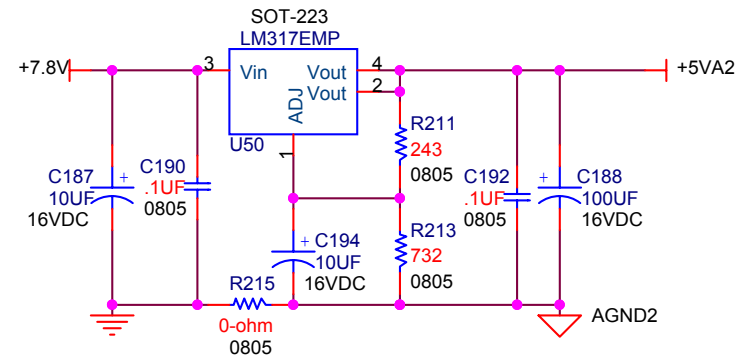
$$V_{out} = V_{ref} * [1 + (R2 / R1)]$$

$$V_{ref} = 1.25V$$

$$R1 = 243 \text{ Ohms}$$



## Analog 2 Supplies

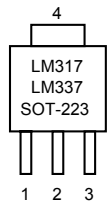


### LM337 Negative Adj Regulator

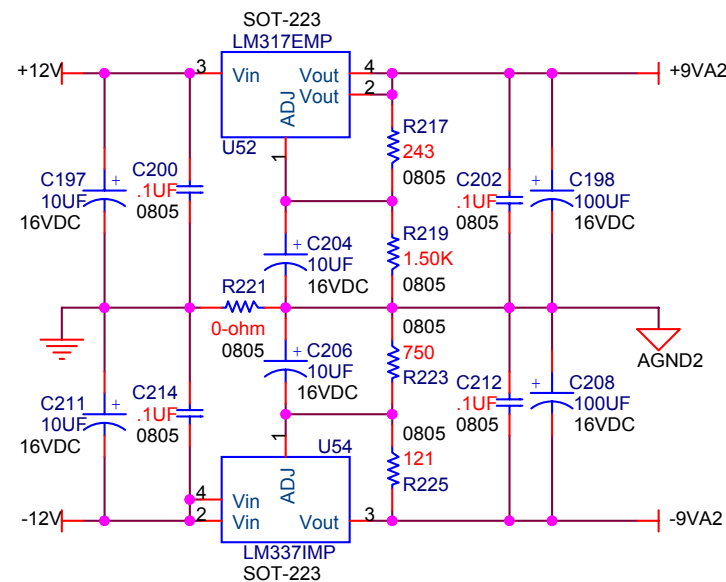
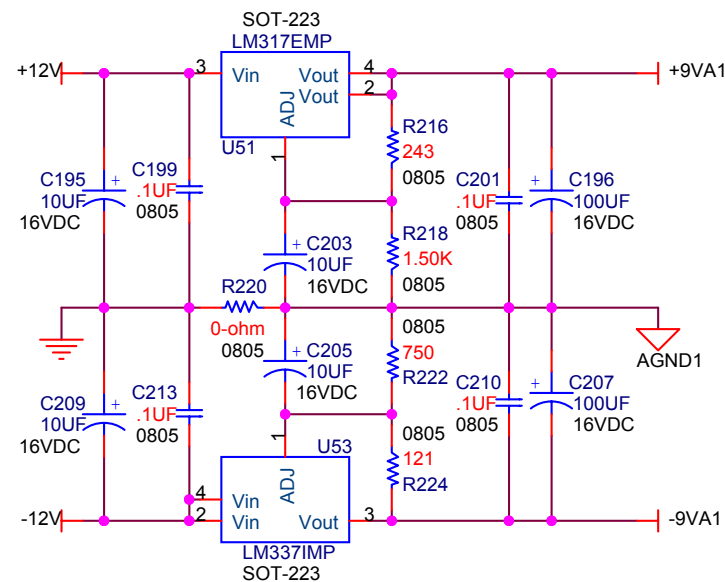
$$V_{out} = V_{ref} * [1 + (R2 / R1)]$$

$$V_{ref} = -1.25V$$

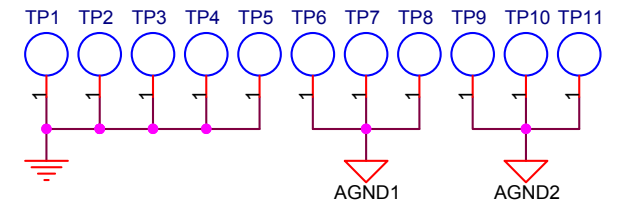
$$R1 = 121 \text{ Ohms}$$



- LM317**
- 1 = ADJ
- 2 = OUT
- 3 = IN
- 4 = Tab = OUT
- LM337**
- 1 = ADJ
- 2 = IN
- 3 = OUT
- 4 = Tab = IN



## Ground Test Point Loops



# D2AUDIO

D2Audio  
7600 B Capital Of Texas HWY N  
Suite 130  
Austin, TX 78731

Title: **Evans/Sofia Mom 3rd Cut** Dennis Caldwell

Size B Document Number: 0070-C00018-001 **Linear Regulators** Rev 03

Date: Tuesday, February 03, 2004 Sheet 11 of 11