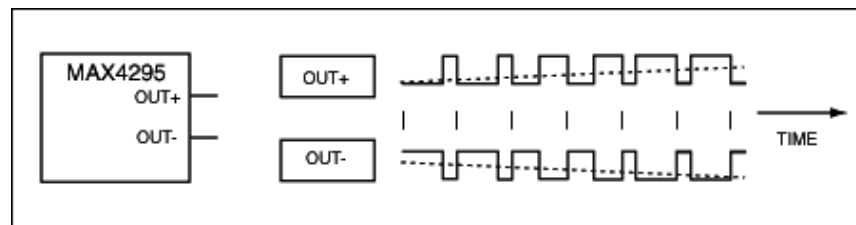


## Optimizing Output Filters for Class D Audio Amplifiers

This article examines the output filter often required with a switch-mode (class D) audio power amplifier. Such filters not only maintain efficiency, they also suppress RF interference produced by fast output transitions. Each of the following circuits, based on Maxim's MAX4295/MAX4297 amplifiers, can be optimized for a given application if the designer is aware of the tradeoffs involved. The amplifiers operate from a single supply in the range +2.7V to +5.5V, and they drive bridge-tied 4 $\Omega$  loads with continuous power as high as 2W, with efficiency exceeding 85%. That performance makes them attractive as speaker drivers for portable equipment in which the battery life is limited.

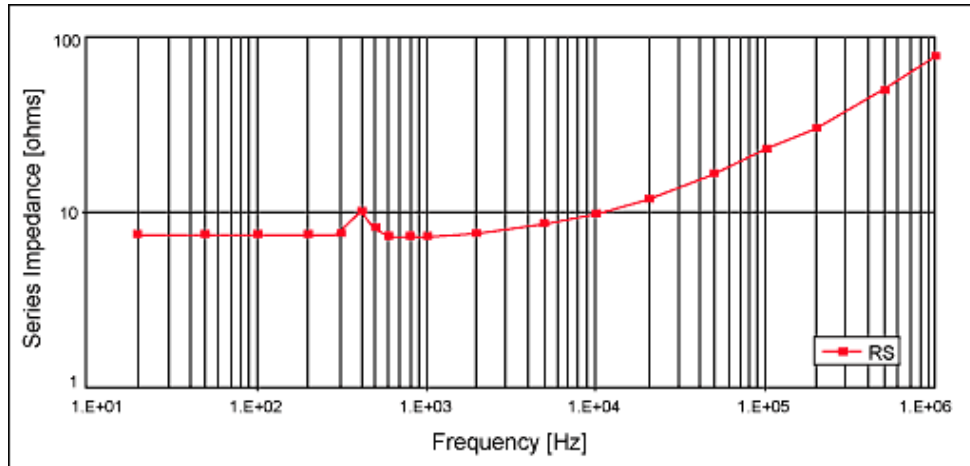
The main advantage of class D amplifiers is their efficiency, which is higher than that of class AB amplifiers. As a minimum condition for achieving that efficiency, the load of a class D amplifier should present a high impedance at the switching frequency. In typical output waveforms (Figure 1) the duty cycle of the OUT+ terminal varies but its pulse period is constant (the "ticks" shown between the two waveforms denote equal time periods). A running average of these pulses forms a slowly rising voltage (dashed line) over the sequence shown. Because the OUT- signal is the inverse of OUT+, it produces a slowly falling voltage. If the load is a speaker, in which the load is connected between + and - terminals, this slow-moving component is audible but the high-frequency content is not reproduced.



*Figure 1. These complementary PWM outputs are generated by a class D amplifier in the bridge configuration (like the MAX4295). The average values of these waveforms (the dashed lines) are produced by an output filter, whose loss and distortion-producing artifacts should be held to a minimum.*

Whether to use an output filter or not depends on many factors. Consider the following: the MAX4295/MAX4297 audio power amplifiers contain complementary output MOSFETs that implement pulse-width modulation (PWM). The duty cycles for the output waveforms from these devices are approximately 50% with zero input signal applied, and to maintain reasonable efficiency the MOSFETs should drive a high impedance at the switching frequency. Otherwise, when a resistor is connected directly across the output with no other components present, the output stages conduct almost 100% of the time

Now consider the impedance plot of a speaker such as an  $8\Omega$ , 1.75" cone transducer, for which the MAX4295/MAX4297 amplifiers are suitable drivers (Figure 2). The speaker impedance rises beyond the audio band, but remains low below 20KHz. As implied earlier, the MAX4295/MAX4297 output terminals are capable of driving this load directly. Indeed, the series inductance of the loudspeaker voice coil shown (approximate  $10\mu\text{H}$ ) allows efficient operation without a filter. That mode of operation has limitations however.



*Figure 2. The impedance of a small  $8\Omega$  speaker remains  $8\Omega$  for most of the audio band, rising above  $10\Omega$  at 400Hz due to self resonance. Skin effect and voice-coil inductance yields higher resistance and reactance at higher frequencies, causing the impedance to rise above 10KHz and approach  $100\Omega$  at 1MHz.*

For a particular speaker to be driven, you should verify the coil impedance at and above the switching frequency, and remember that excessively long speaker leads can add a parallel capacitive load that adversely affects the efficiency. The speaker leads and voice coil carry signals whose high  $dv/dt$  can radiate high levels of RF. Note that the switching action dissipates a small amount of power in the voice coil. Though negligible at 500K and above, it should be considered at lower frequencies when calculating the maximum permissible speaker power.

## Minimum Implementation with Resistive Loads

If the load is mostly resistive, or looks capacitive at high frequencies, then other components must be added to ensure reasonable efficiency. A series inductor, for example, passes current to the load at audio frequencies but provides increasing impedance at high frequencies.

As an example, consider an  $8\Omega$  resistive load driven by a MAX4295 amplifier from a 5V supply. In calculating the series inductor value we could simply assume that the 3dB roll-off point due to the inductor should be placed just outside the audio band, say at 30KHz

$$L = 8 / (2\pi f) \text{ or } 8 / 2\pi (30 \cdot 10^3) = 42.4\mu\text{H}$$

output devices at this point is due mostly to the inductor:

$$X_L = 2\pi \cdot 250 \cdot 10^3 \cdot 42.4 \cdot 10^{-6} = 66.7\Omega,$$

or more than 8X the load impedance, so no significant power is lost at the switching frequency.

We can now look at the other parameters that affect selection of the inductor. The data sheet tells us that the MAX4295 delivers 1.2W into 8Ω from a 5V supply. Thus, the inductor must handle about 387mA<sub>rms</sub> (550mA peak) without saturation. Otherwise, the penalty is distortion in the output waveform.

We can therefore choose a 47μH SM power inductor from J.W. Miller Magnetics (model PM54-470L). Its rated current is 720mA (which handles the required peak current), and DC resistance of 0.37Ω (less than 5% of the load) does not cause much efficiency loss. The inductor's physical dimensions are about 5.8mm x 5.2mm with a height of 4.5mm. (In contrast, the MAX4295 in a QSOP package measures only 6 x 5mm x 1.5mm.) That height can be unacceptably large for portable products, in which the space on and above the PCB is usually at a premium.

One way to reduce the profile of the inductor is to mount it in a hole or notch in the PCB. For a 1.6mm PCB, that approach reduces the inductor's height above the PCB to 2.9mm. Another approach is to increase the switching frequency of the class D stage. The MAX4295/MAX4297 amplifiers allow the user to set this frequency to one of four values, the highest of which is 1MHz. Higher frequency allows lower inductance values, but the one-fourth value obtained from a 4/X increase in frequency does not necessarily result in one-quarter the physical size. Moreover, the thinner wire used in smaller-footprint inductors produces higher DC resistance, but some improvement should be possible.

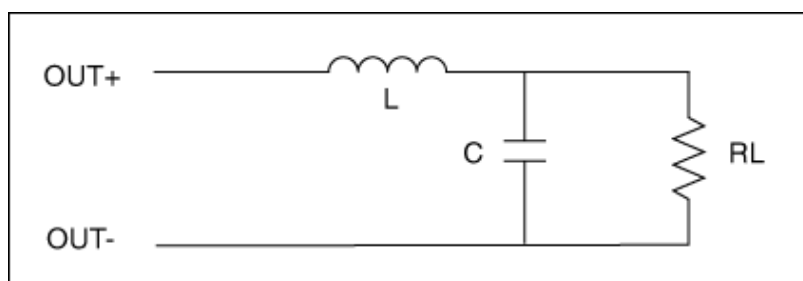
Increasing the switching frequency by a factor of four in the previous example (from 250kHz to 1MHz) lets you reduce the inductor value by a factor of four (42.4μH/4 = 10.6μH) while maintaining a constant impedance at the switching frequency. The required current handling and DC resistance are unchanged, however. Choosing to switch at 1MHz has little effect on efficiency, but it does degrade the THD+N performance slightly (see data sheet for details). Does it save board space? At 1MHz we can now use a 10μH inductor from Toko (model A914BYW-100M), with a current rating of 760mA and a DC resistance of 0.125Ω. X-Y dimensions are roughly the same, at 5mm x 5mm, but height above the PCB is only 2mm, without special mounting techniques. Compared with the 47μH inductor mentioned earlier, this component occupies only half as much volume.

## Output-Filter Design

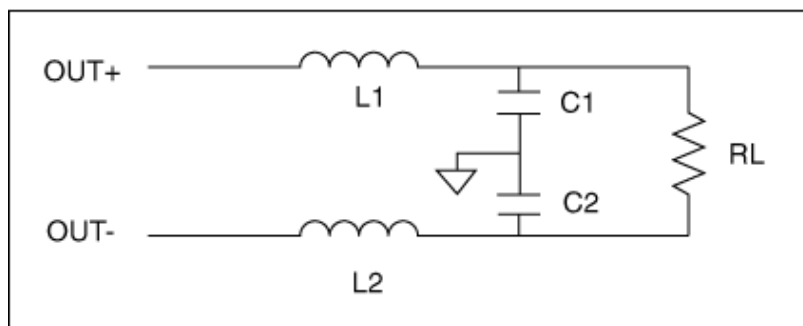
The above examples implement basic operation with a minimum of complexity, but rapid switching in the output devices provides little or no filtering of the RF spectrum. Radiation from the PCB is a significant concern in portable products, and the following discussion

- The amplifier operates in a portable device, where other RF circuitry can be corrupted.
- The amplifier operates in a product subject to RF emissions standards testing (such as FCC/CE).

Most applications require RF-suppression filtering on the outputs. For that purpose, the single inductor above can readily be turned into a lowpass filter by adding a capacitor to the complementary output (Figure 3). Radiation remains likely, however, because the speaker's OUT lead still sees the full switching-voltage waveform. A balanced 2-pole filter is therefore more effective (Figure 4). EMI performance is much improved because the pole filter provides low-pass filtering before the waveform reaches either speaker lead. Next, we consider the effect of these extra filter components on the PCB area.



*Figure 3. A conceptually simple, single-ended 2-pole LC filter is produced by adding capacitance to the inductor value specified by the equation for minimal implementation. Because the "OUT-" terminal is not filtered before the speaker, filter does not reduce EMI sufficiently to meet regulatory requirements.*



*Figure 4. At the cost of additional components, a balanced 2-pole filter (the recommended approach) is effective in reducing EMI emissions. Each inductor value is half that of Figure 3. (See the text, and Figures 5 and 6.)*

With two inductors now required, having a high impedance at the switching frequency load and LP filter is still a benefit. Because the two inductors are effectively in series between the MOSFET outputs, we can halve the 10 $\mu$ H inductor values and use two 5 $\mu$ H parts, while retaining the MAX4295's 1MHz switching frequency. From the Coilcraft catalog we can choose a 4.7 $\mu$ H inductor (model DT1608C-472) with a current rating of 1.2A and a DC resistance of 0.085 $\Omega$ . Both specs are more than adequate for this application. Note that DC-resistance contributions are doubled because the inductors are

The capacitance value can now be chosen to define the filter's high-frequency rolloff. Considering only one half of the differential output makes the math more straightforward and allows us to realize a 2nd-order LCR filter in which R and L are known. Thus, we need only define the value of C (Figure 5). A ~4% voltage overshoot in response to a step input is acceptable, so the maximally flat Butterworth filter is a reasonable choice. Using the math that is detailed elsewhere (see the Appendix and the MAX4295 data sheet), the value of C is

$$C = L / (4R^2 \xi^2) = 4.7 \times 10^{-6} / (4 \cdot 4^2 \cdot (0.707)^2) = 0.146 \mu\text{F}$$

where  $\xi$  equals 0.707 for Butterworth. This value can be realized with a network (called an alternate balanced 2-pole filter in the data sheet) of one capacitor across the inductors and one to ground from each output. Using three 0.047 $\mu\text{F}$  caps simplifies the bill of materials. Each + and - phase then sees a capacitance of 0.141 $\mu\text{F}$  (Figure 6). The filter corner frequency is 192KHz. The inductors do not self-resonate below 60MHz, so the filter attenuates switching noise over a frequency span of two and a half decades (at that point the switching energy is falling rapidly anyway). Rise and fall times for the MAX4295 are about 30ns.

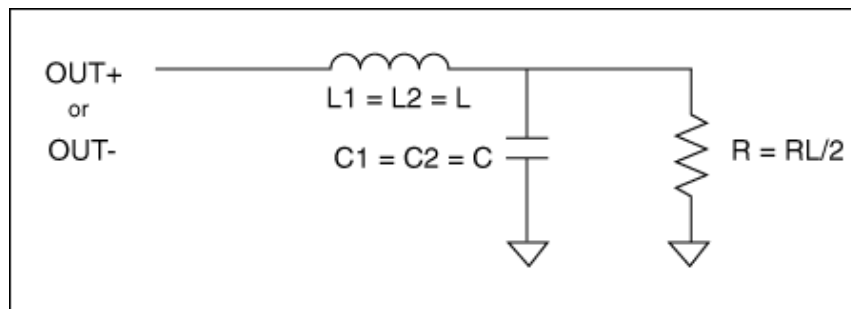


Figure 5. For analysis, a single-ended circuit that models the output seen by each half-circuit in Figure 4 can simplify the math somewhat.

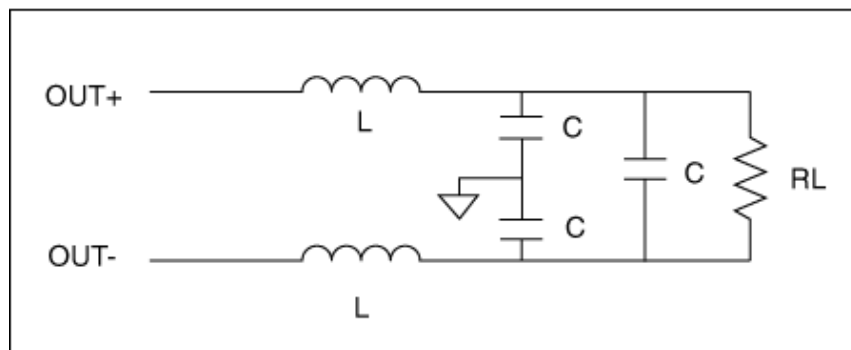


Figure 6. This 2-pole, differential-mode filter serves the example in the text. Inductor values are 4.7 $\mu\text{H}$ , capacitor values are 0.047 $\mu\text{F}$ , and the speaker impedance ( $R_L$ ) is 8 $\Omega$ .

To minimize radiation, the PCB layout should place the inductors as close to the MAX4295 as possible. Tracking between the inductors and capacitors should also be

the inductors. For the required  $0.047\mu\text{F}$  capacitor, a 16V surface-mount, 0402 ceramic with X7R dielectric is available from AVX Corporation and others.

If filter optimization is important for the application, calculations should account for the high-frequency load impedance. Further accuracy can be gained by modelling the capacitor ESR, along with the inductors' DC resistance and self-resonant behavior.

## Results

The 2-pole filter of Figure 5 was tested with Coilcraft DT1608C-472 inductors, driving  $8\Omega$  resistive load from one channel of a MAX4297 evaluation kit set with a 1MHz switching frequency. Efficiency was calculated with a 2V sine wave applied at four different frequencies:

**Table 1. Measured Efficiency**

Input Frequency (KHz)	Efficiency (%)
1	74.9
5	84.3
10	86.3
15	86.7

These results show the high efficiency that class D devices can achieve, which is much higher than that of traditional class AB amplifiers. Figure 7 shows THD+N vs. frequency measured over the 22Hz-22KHz bandwidth, with output power set to 0.7W at 1KHz. Distortion (THD+N) was measured at three different frequencies (1KHz, 5KHz, and 10KHz) while varying the output power, using an Audio Precision System One (Figure 6). The measurement bandwidth was 22Hz to 22KHz. The results shown are in broad agreement with the data sheet, with distortion dominating noise over most of the range. Distortion remains below 1% for all frequencies up to the 0.7W output-power level.

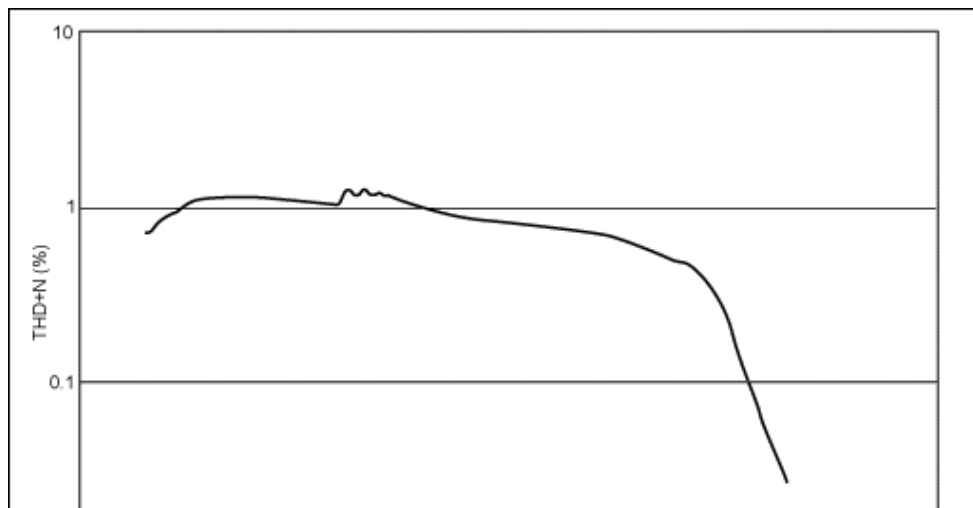


Figure 7. Operating at 1KHz with a power level of  $0.7W_{RMS}$ , a MAX4295 sensor with filter of Figure 6 exhibits distortion vs. frequency as shown. At that power level, the circuit delivers  $< \text{or} = 1\%$  distortion over the entire band.

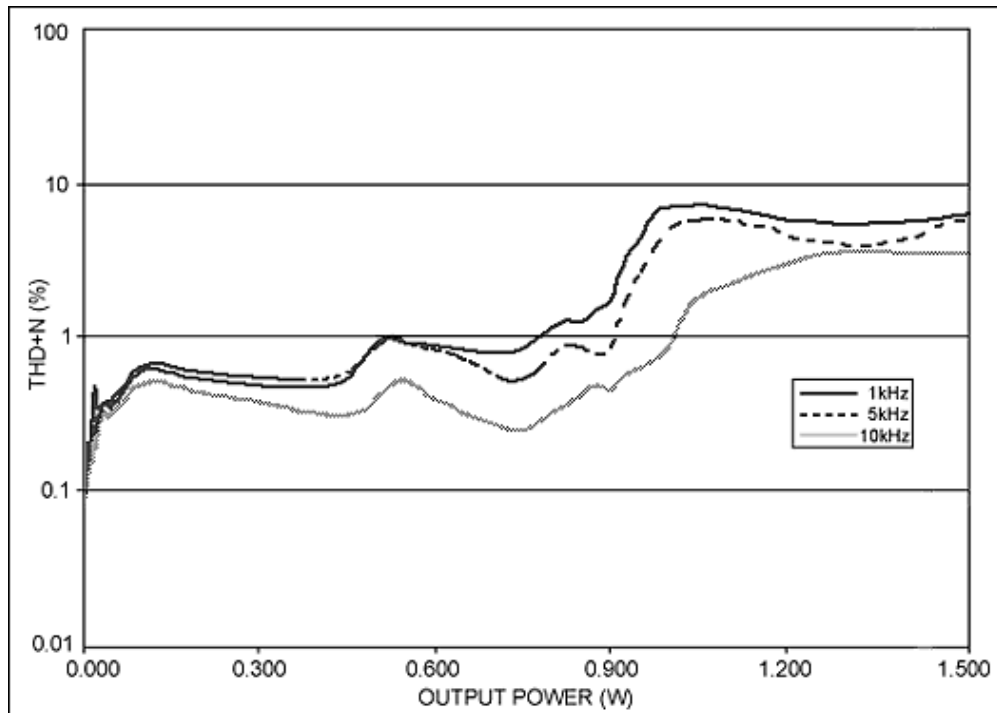


Figure 8. Distortion vs. output-power level for the MAX4295 sensor with filter of Figure 6 shows that distortion remains below 1% for power levels up to  $0.7W$ , and rises sharply at  $1W$ . (The solid line represents operation at 1KHz, the dashed line at 5KHz, and the grayed line at 10KHz.)

## Summary

Becoming familiar with the advantages and limitations of class D amplifiers and their design concepts allows the user to optimize any output filter for a given application. Informed design decisions can then be reached by weighing these often-conflicting requirements against one another:

## Appendix: 2nd-Order Filter Calculations

The transfer function for the filter in Figure 5 can be expressed as:

$$H(s) = (1/LC)/(s^2 + s(1/CR) + (1/LC))$$

This  $H(s)$  expression can be equated to the generic 2nd-order system equation:

$$G(s) = \omega_n^2/(s^2 + 2\omega_n \zeta s + \omega_n^2)$$

R and L are known, so we can solve for C:

$$C = L/(4R^2 \epsilon^2)$$

The parameter  $\omega_n$  is also useful:

$$\omega_n = 1/(\sqrt{LC}) \text{ rads}^{-1}$$

---

## References and Further Reading

1. [MAX4295/MAX4297 data sheet](#)
2. *Principles of Active Network Synthesis and Design*, Gobind Daryanani (John Wiley & Sons, Inc. 1976)

## Filter-Component Manufacturers

1. [Coilcraft](#)
2. [J.W. Miller Magnetics](#)
3. [Toko](#)
4. [AVX Corporation](#)

A similar version of this article appeared in the November 2001 issue of *Elektronik Industrie* maga

A268, April

["!!!"COMMENTS](#) [☑\\*\\*\\*RATE THIS PAGE](#) [✉MAIL THIS PAGE](#)

PRODUCTS

SOLUTIONS

DESIGN

APPS

SUPPORT

BUY

CORPORATE

SEARCH

Copyright © 2002 Maxim Integrated Products  
Maxim Integrated Products, 120 San Gabriel Dr., Sunnyvale, CA 94086 USA  
408-737-7600; <http://www.maxim-ic.com/>