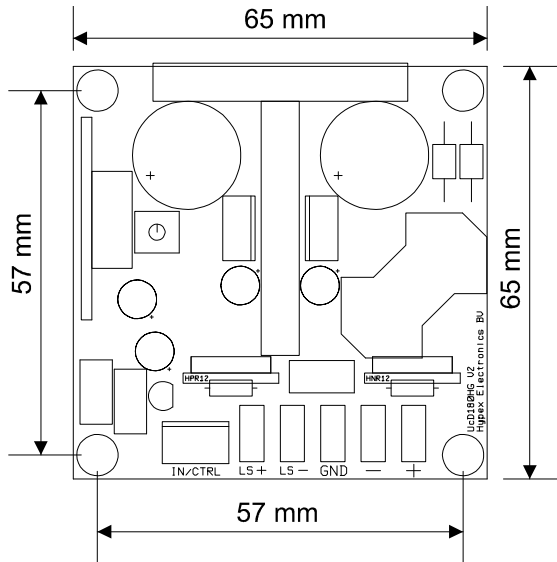


UcD180ST/UcD180HG



Features

- Pop-free start and stop control
- Differential audio input
- Overcurrent and overvoltage protection
- Weight: 90g
- Dimensions 65mm x 65mm x 31mm

UcD180HG specific features:

- No compromise components
- LM4562 buffer OpAmp
- HxR12 ready
- Improved on-board buffer supply

Applications

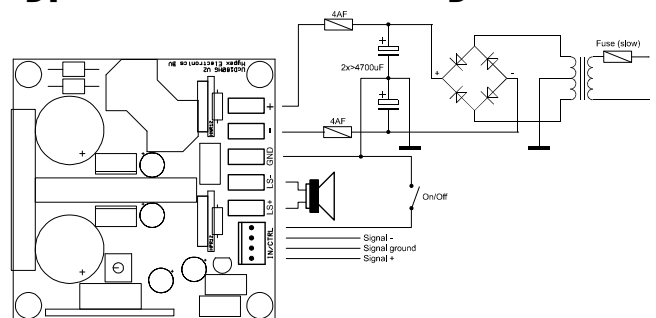
- Audiophile power amplifiers for professional and consumer use

Description

The UcD180™ amplifier module is a self-contained high-performance class D amplifier intended for a wide range of audio applications, ranging from Public Address systems to ultrahigh-fidelity replay systems for studio and home use.

The UcD180ST is a cost optimized module, whereas the UcD180HG is optimized for optimum sonic performance.

Typical connection diagram



Absolute maximum ratings

Correct operation at these limits is not guaranteed. Operation beyond these limits may result in irreversible damage.

Item	Symbol	Rating	Unit
Power supply voltage	V_B	+/-50	V
Air Temperature	T_{AMB}	65	°C
Heat-sink temperature	T_{SINK}	90	°C

Item	Symbol	Min	Typ	Max	Unit
Power supply voltage	V_B	30 ¹⁾	45	50 ²⁾	V

¹⁾Unit shuts down when either rail drops below 25V (HG only).

²⁾Unit shuts down when either rail exceeds 52V.

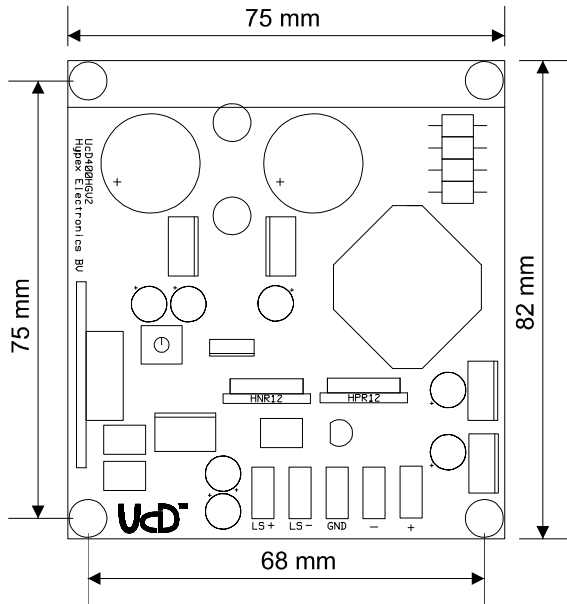


WARNING: These voltages can be potentially hazardous.

Cooling

Although Hypex UcD modules are based on very efficient Class-D technology, additional cooling is a must. Mounting the modules on a sheet of aluminium will provide enough cooling for use under normal conditions. When the module is used in a closed case, provide enough airflow by means of ventilation slots etc. When using high supply voltages it is better to turn the module 90° for better airflow at both sides of the circuit board.

UcD400ST/UcD400HG



Features

- Pop-free start and stop control
- Differential audio input
- Overcurrent and overvoltage protection
- Weight: 160g
- Dimensions 82mm x 75mm x 31mm

UcD400HG specific features:

- No compromise components
- LM4562 buffer OpAmp
- HxR12 ready
- Improved on-board buffer supply

Applications

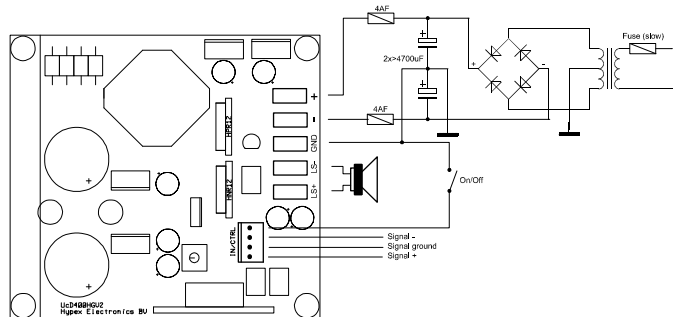
- Audiophile power amplifiers for professional and consumer use

Description

The UcD400™ amplifier module is a self-contained high-performance class D amplifier intended for a wide range of audio applications, ranging from Public Address systems to ultrahigh-fidelity replay systems for studio and home use.

The UcD400ST is a cost optimized module, whereas the UcD400HG is optimized for optimum sonic performance.

Typical connection diagram



Absolute maximum ratings

Correct operation at these limits is not guaranteed. Operation beyond these limits may result in irreversible damage.

Item	Symbol	Rating	Unit
Power supply voltage	V_B	+/-75	V
Air Temperature	T_{AMB}	65	°C
Heat-sink temperature	T_{SINK}	90	°C

Item	Symbol	Min	Typ	Max	Unit
Power supply voltage	V_B	45 ¹⁾	57	65 ²⁾	V

¹⁾Unit shuts down when either rail drops below 30V (HG only).

²⁾Unit shuts down when either rail exceeds 68V.

Cooling

Although Hypex UcD modules are based on very efficient Class-D technology, additional cooling is a must. Mounting the modules on a sheet of aluminium will provide enough cooling for use under normal conditions. When the module is used in a closed case, provide enough airflow by means of ventilation slots etc. When using high supply voltages it is better to turn the module 90° for better airflow at both sides of the circuit board.



WARNING: These voltages can be potentially hazardous.