



SERVICE MANUAL

TYPE YS1003
YCV40

WEB ACCESS: <http://www.yorkville.com>

WORLD HEADQUARTERS CANADA

Yorkville Sound
550 Granite Court
Pickering, Ontario
L1W-3Y8 CANADA

Voice: (905) 837-8481
Fax: (905) 837-8746

U.S.A.

Yorkville Sound Inc.
4625 Witmer Industrial Estate
Niagara Falls, New York
14305 USA

Voice: (716) 297-2920
Fax: (716) 297-3689



Quality and Innovation Since 1963
Printed in Canada



IMPORTANT SAFETY INSTRUCTIONS



INSTRUCTIONS PERTAINING TO A RISK OF FIRE, ELECTRIC SHOCK, OR INJURY TO PERSONS

INSTRUCTIONS RELATIVES AU RISQUE DE FEU, CHOC ÉLECTRIQUE, OU BLESSURES AUX PERSONNES

CAUTION:

TO REDUCE THE RISK OF ELECTRIC SHOCK, DO NOT REMOVE COVER (OR BACK).

NO USER SERVICEABLE PARTS INSIDE.

REFER SERVICING TO QUALIFIED SERVICE PERSONNEL.

AVIS:

AFIN DE REDUIRE LES RISQUE DE CHOC ELECTRIQUE, N'ENLEVEZ PAS LE COUVERT (OU LE PANNEAU ARRIERE)

NE CONTIENT AUCUNE PIECE REPARABLE PAR L'UTILISATEUR.

CONSULTEZ UN TECHNICIEN QUALIFIE POUR L'ENTRETIEN

Read Instructions

The Owner's Manual should be read and understood before operation of your unit. Please, save these instructions for future reference.

Packaging

Keep the box and packaging materials, in case the unit needs to be returned for service.

Warning

When using electric products, basic precautions should always be followed, including the following:

Power Sources

Your unit should be connected to a power source only of the voltage specified in the owners manual or as marked on the unit. This unit has a polarized plug. Do not use with an extension cord or receptacle unless the plug can be fully inserted. Precautions should be taken so that the grounding scheme on the unit is not defeated.

Hazards

Do not place this product on an unstable cart, stand, tripod, bracket or table. The product may fall, causing serious personal injury and serious damage to the product. Use only with cart, stand, tripod, bracket, or table recommended by the manufacturer or sold with the product. Follow the manufacturer's instructions when installing the product and use mounting accessories recommended by the manufacturer.

The apparatus should not be exposed to dripping or splashing water; no objects filled with liquids should be placed on the apparatus.

Terminals marked with the "lightning bolt" are hazardous live; the external wiring connected to these terminals require installation by an instructed person or the use of ready made leads or cords.

No naked flame sources, such as lighted candles, should be placed on the apparatus.

Power Cord

The AC supply cord should be routed so that it is unlikely that it will be damaged. If the AC supply cord is damaged DO NOT OPERATE THE UNIT.

Service

The unit should be serviced only by qualified service personnel.

Veillez Lire le Manuel

Il contient des informations qui devraient être comprises avant l'opération de votre appareil. Conservez S.V.P. ces instructions pour consultations ultérieures.

Emballage

Conservez la boîte au cas où l'appareil devait être retourner pour réparation.

Attention:

Lors de l'utilisation de produits électrique, assurez-vous d'adhérer à des précautions de bases incluant celle qui suivent:

Alimentation

L'appareil ne doit être branché qu'à une source d'alimentation correspondant au voltage spécifié dans le manuel ou tel qu'indiqué sur l'appareil. Cet appareil est équipé d'une prise d'alimentation polarisée. Ne pas utiliser cet appareil avec un cordon de raccordement à moins qu'il soit possible d'insérer complètement les trois lames. Des précautions doivent être prises afin d'éviter que le système de mise à la terre de l'appareil ne soit désengagé.

Risque

Ne pas placer cet appareil sur un chariot, un support, un trépied ou une table instables. L'appareil pourrait tomber et blesser quelqu'un ou subir des dommages importants. Utiliser seulement un chariot, un support, un trépied ou une table recommandés par le fabricant ou vendus avec le produit. Suivre les instructions du fabricant pour installer l'appareil et utiliser les accessoires recommandés par le fabricant.

Il convient de ne pas placer sur l'appareil de sources de flammes nues, telles que des bougies allumées.

L'appareil ne doit pas être exposé à des égouttements d'eau ou des éclaboussures et qu'aucun objet rempli de liquide tel que des vases ne doit être placé sur l'appareil.

Les dispositifs marqués d'une symbole "d'éclair" sont des parties dangereuses au toucher et que les câblages extérieurs connectés à ces dispositifs de connexion extérieure doivent être effectués par un opérateur formé ou en utilisant des cordons déjà préparés.

Cordon d'Alimentation

Évitez d'endommager le cordon d'alimentation. N'UTILISEZ PAS L'APPAREIL si le cordon d'alimentation est endommagé.

Service

Consultez un technicien qualifié pour l'entretien de votre appareil.

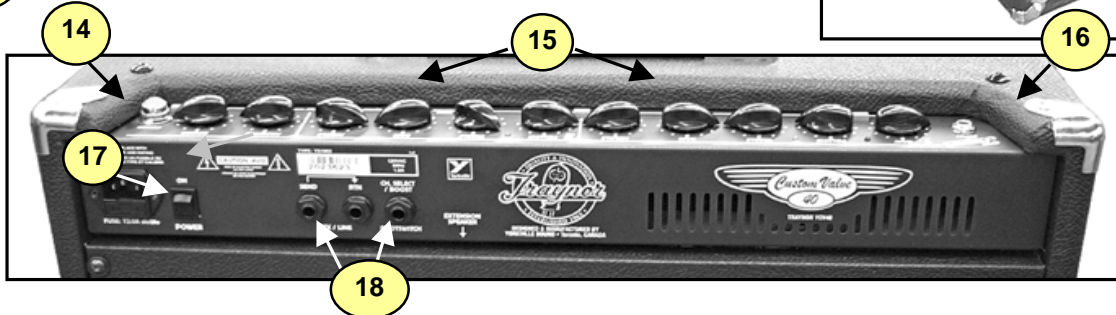
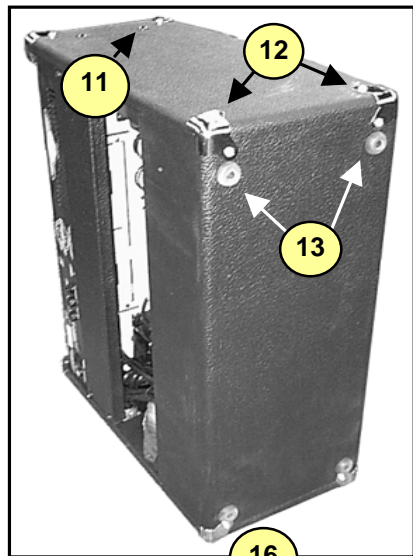
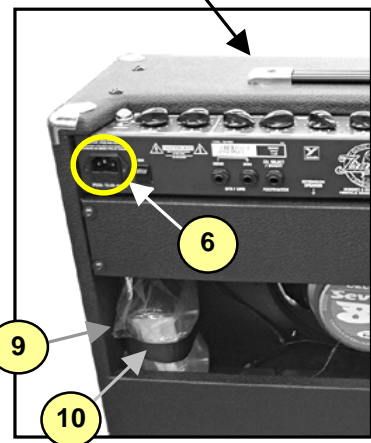
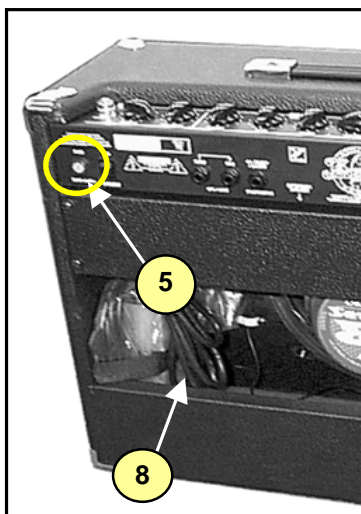
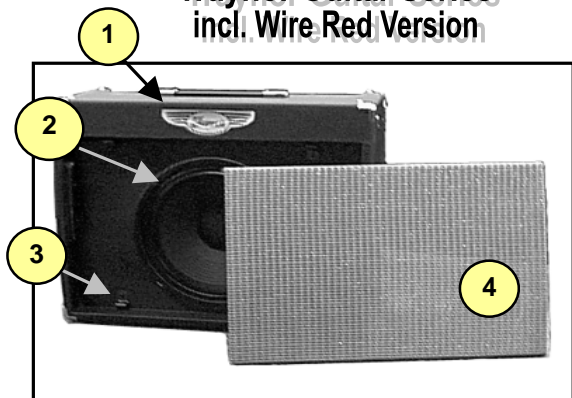
YCV40 - 040302

YS No.	Description	Qty.	YS No.	Description	Qty.
6397	JEWELLED PILOT LAMP AMBER REG V1	1	8638	AP MIXER SERIES PUSH SW BUTTON GREY	4
5906	RED 3MM LED 1V9 20MA .4SPCER T&R	1	3474	6' 3X.075MM AC LINE CORD EURO-REMOV	1
6398	RED 5MM LED 1V5 20MA HIGH EFF	1	3834	HEYCO #1214 STRAIN RELIEF	1
6399	YEL 5MM LED 1V5 20MA HIGH EFF	1	8260	TRAYNOR LOGO	1
5907	YEL 3MM LED 1V9 20MA .4SPCER T&R	1	3674	9 CIR CABLE HOLDER .098	4
5908	GRN 3MM LED 1V9 20MA .4SPCER T&R	1	8800	6-32 KEPS NUT ZINC	4
6825	1N4148 75V 0A45 DIODE T&R	4	8890	1/4-20 CAGE NUT C7988142027	4
6438	1N4004 400V 1A0 DIODE T&R	10	3830	TO218 PREGREASED MICA 56-78-2AP	2
6461	1N5240BRL 10V0 0W5 ZENER 5% T&R	1	3850	TO-220 PLASTIC TRANSISTOR INSULATOR	2
6475	1N5262B 51V0 0W5 ZENER 5% T&R	7	4599	22AWG SOLID SC WIR T&R JMP	57
6731	7824 TO220 P 24V0 REG	1	5299	24AWG SOLID SC WIR RAD JMP	1
5101	BC550C TO92 NPN TRAN T&R TB	3	2007	1/4W 1R 5%FLAME PROOF T&R RES	1
5103	MPSA06 TO92 NPN TRAN T&R TA	3	2008	1.0W 10R 5%FLAME PROOF T&R RES	2
5104	MPSA56 TO92 PNP TRAN T&R TA	2	4817	1/4W 47R 5% T&R RES	2
6873	MJE340 TO126 NPN TRAN TG	1	2019	1/8W 100R0 1%FLAME PROOF T&R RES	2
6730	IRF830 TO220 NCH MFET TN	1	4852	1/4W 100R 5% T&R RES	3
6882	TL072CP IC FET DUAL OP AMP	2	2022	1.0W 220R 5%FLAME PROOF T&R RES	2
6880	4N35 OPTO-COUPLER	1	4821	1/4W 470R 5% T&R RES	2
5203	47P 100V 2%CAP T&R RAD CER.2"NPO	1	4891	1/4W 620R 5% T&R RES	2
5196	150P 100V 2%CAP T&R RAD CER.2"NPO	1	4822	1/4W 820R 5% T&R RES	3
5197	220P 100V 2%CAP T&R RAD CER.2"NPO	2	4726	5.0W 1K 5% BLK RES	1
5201	470P 100V 5%CAP T&R RAD CER.2"NPO	3	4823	1/4W 1K 5% T&R RES	1
5206	1N 400V 5%CAP T&R RAD .2"FLM	2	4913	1.0W 1K 5% T&R RES	2
5422	1N 50V 10%CAP T&R BEAD NPO	1	4824	1/4W 1K5 5% T&R RES	4
5273	1N5 200V 5%CAP T&R RAD CER.2"NPO	1	4631	1/2W 2K 5% T&R RES	2
5425	1N8 50V 10%CAP T&R BEAD X7R	1	4847	1/4W 2K2 5% T&R RES	5
5208	2N2 400V 5%CAP T&R RAD .2"FLM	1	4826	1/4W 3K3 5% T&R RES	1
5274	2N2 200V 5%CAP T&R RAD CER.2"NPO	2	4827	1/4W 4K7 5% T&R RES	3
5209	4N7 250V 5%CAP T&R RAD .2"FLM	1	4663	1/2W 8K2 5% T&R RES	2
6451	4N7 250V 20%CAP BLK "Y" 10MM AC	1	4829	1/4W 10K 5% T&R RES	9
5272	6N8 100V 5%CAP T&R RAD .2"FLM	2	4983	1/4W 10K 5%MINI T&R RES	1
5834	10N 250V 20%CAP BLK RAD POLY FLM	1	4831	1/4W 18K 5% T&R RES	2
5840	22N 400V 10%CAP BLK RAD POLY FLM	3	4833	1/4W 27K 5% T&R RES	4
6435	22N 275V 20%CAP BLK 'X2' 15MM AC	1	4868	1/4W 36K 5% T&R RES	2
5224	47N 100V 10%CAP T&R RAD .2"FLM	4	4853	1/4W 39K 5% T&R RES	1
5841	47N 250V 10%CAP RAD POLYFILM BULK	2	4834	1/4W 47K 5% T&R RES	8
5227	82N 100V 5%CAP T&R RAD .2"FLM	1	4586	1/4W 82K 5%MINI T&R RES	1
5228	100N 100V 5%CAP T&R RAD .2"FLM	5	4838	1/4W 100K 5% T&R RES	13
5314	100N 50V 10%CAP T&R BEAD X7R	1	4942	1/4W 100K 5% .2"U T&R RES	1
5865	100N 250V 10%CAP BLK RAD POLY FLM	1	4776	1/4W 113K 1% T&R RES	4
5231	220N 63V 10%CAP T&R RAD .2"FLM	3	4851	1/4W 120K 5% T&R RES	5
5882	220N 250V 10%CAP BLK RAD POLY FLM	3	4668	2.0W 220K 5%10MM BODY T&R RES	1
5233	330N 63V 5%CAP T&R RAD .2"FLM	1	6126	1/4W 220K 5%MINI T&R RES	4
5234	470N 63V 10%CAP T&R RAD .2"FLM	1	4843	1/4W 470K 5% T&R RES	3
5257	2U2 63V 20%CAP T&R RAD .2"EL	1	4880	1/4W 680K 5% T&R RES	1
5945	10U 63V 20%CAP T&R RAD .2"EL	1	4844	1/4W 1M 5% T&R RES	7
5959	10U 450V 20%CAP BLK EL	3	4845	1/4W 2M2 5% T&R RES	1
5631	22U 50V 20%CAP T&R 6X7MM .2"EL	14	3610	10" 9C-26AWG RIB 3/4" NOTCH 0.1"	2
5902	82U 450V 20%CAP BLK 22X30MM	1	3700	RELAY 2C 01AMP DC24 015MA PC-S	2
5267	100U 25V 20%CAP T&R RAD .2"EL	1	3537	ACC# 4EB3C1B LONG REVERB	1
5879	100U 16V 20%CAP T&R 8X7MM .2"EL	2	8865	4-40 X 5/16 PAN PH MS JS500	18
5914	100U 63V 20%CAP BLK 10X13MM EL	1	8832	6-32 X 1/4 PAN PH TAPTITE JS500	21
5621	470U 63V 20%CAP BLK 12X25MM EL	1	8807	6-32 X 5/16 PAN PH MS JS500	1
TFS-2B	TRAYNOR DUAL FOOTSWCH 10' CORD-BULK	1	8801	6-32 X 3/8 PAN PH TAPTITE JS500	3
4423	20K 15AAUDIO 9MM P32	4	8829	6-32 X 3/8 FLAT PH TAPTITE BO#4 HEA	17
4424	100K 1B LIN 9MM P32	2	8837	6-32 X 1/2 ROUND PH MS JS500	2
4425	500K 15AAUDIO 9MM P32	5	8785	#8 X 3/4 OVAL PH TYPE A BLACK OXIDE	4
713	25 X 20 X 50 2 MIL PLASTIC BAG	1	8722	#8 X 1" PAN QUAD TYPE AB B/O	4
8461	TRIM CLIP (PLATED BLK ZINC)	4	8809	10-32 X 1/4 PAN PH TAPTITE JS500	5
8504	CORNER, 2 LEGS NOTCED LIP NICKEL	8	8749	10-32 X 1/2 QDX PH TAPTITE JS500	8
8543	RECESSED RUBBER BUMPER WITH WASHER	4	8754	#10 X 3/4 PAN PH TYPE A ZINC	16
3478	CLIP 205/187X032 18-22AWG DISCO/INS	2	8756	#10 X 3/4 PAN PH TYPE A BLACK OXIDE	6
3489	CLIP 250X032 18-22AWG DISCO/INSL	5	8843	10-32 X 1 1/8 FLAT PH MS JS500	2
3494	CLIP 205/187X020 14-16AWG DISCO/INS	2	8786	10-32 X 1 1/4 PAN QD MS JS500 BLACK	4
3601	RING TERMINAL 16AWG WIRE & #8 SCREW	2	8862	#10 X 1 1/2 PAN PH TYPE A JS500	4
3682	250 MALE PCB TAB REEL	16	8770	1/4-20 X 1 5/16 TRUSS PH MS JS500	4
NYS224	280 PLUG NEUTRIK NYS224	1	3741	.5 SPACER ID-.171 OD-.25 #912-500	4
3498	1/4" JCK PCB MT HORZ	3	3865	1/2 PLASTIC HEX SPACER #6	11
3523	1/4" JCK PCB MT HORZ GOLD T	1	3858	3/4 PLASTIC HEX SPACER #4	9
3528	1/4" JCK PCB MT HORZ GOLD TR	1	7080	12" 8R 80WPGM SPEAKER CELESTION	1
3921	1/4" JCK PCB MT VERT STER RT SWT	1	8488	3/8 INT TOOTH LOCKWASHE ZINC	1
3886	36" RCA PREFAB CABLE RED	1	3511	#6 FLAT WASHER NYLON	1
3890	36" PREFAB. CABLE	1	8820	#8 FLAT WASHER JS500	4
3914	RCA SNGL PCB MT HORZ	2	8817	#10 FLAT WASHER FOR 3/16" BOLT	12
3451	EYELET SMALL 0.089 OD PLATED	31	3522	DPDT PUSH SW PCMT V MINI SNAP-	4
2403	T2A 5X20MM FUSE	1	3698	SPST ROKR SW QUIK 180" AC PWR BL/BL	1
8456	10.0" STRAP HANDLE, NICKEL COVERS	1	3731	SPRING RETAINER FOR OUTPUT TUBE	2
8604	10-32 T NUT	6	3732	9 PIN PC MOUNT TUBE SOCKET BE	3
3501	B52200F006 COMP WASH #4 SMALL	1	3733	8 PIN PC MOUNT TUBE SOCKET	2
3975	SNAP ON 0.718" INSULATING BUSHING	3	12AX7BLK	12AX7 DUAL TRIODE PREAMP TUBE	3
3976	SNAP ON 0.843" INSULATING BUSHING	2	6L6BLK	6L6 TETRODE OUTPUT POWER TUBE	2
8889	RUBBER GROMMET #2183-034-BLK	4	1324	YCV40 POWER XFMR	1
3438	230 AC RECEPTACLE FUSE & 250 TABS	1	1324M	YCV40 OUTPUT XFMR	1
3552	NYLON SPRING CLAMP	3			
3799	ROUND BUMPER BUTTON BLACK	1			
3810	4" NYLON CABLE TIE	14			
8430	YCV40 CHICKEN-BEAK KNOB	11			



YCV40

Traynor Guitar Series
incl. Wire Red Version



#	Part#	Description
Labeled Components		
1	8260	TRAYNOR LOGO
2	7080	12" 8R 80WPGM SPEAKER CELESTION
3	8461	TRIM CLIP (PLATED BLK ZINC)
4	Z357	YCV40 GRILLE* ‡
5	3482	LOWPROFILE FUSEHOLDER 1/4" BUSSMANN
6	3438	AC RECEPTACLE / FUSE HOLDER
7	8456	10.0" STRAP HANDLE, NICKEL COVERS
8	3426	AC LINE CORD - #3474(EURO)
9	TFS-2B	TRAYNOR DUAL FOOTSWCH 10' CORD
10	3552	NYLON SPRING CLAMP
11	8770	1/4-20 X 1 5/16 TRUSS PH MS JS5
12	8504	CORNER, 2 LEGS NOTCED LIP NICKEL PLATED
13	8543	RECESSED RUBBER BUMPER WITH WASHER
14	6397	JEWELLED PILOT LAMP AMBER REG
15	8430	CHICKEN-BEAK KNOB
16	3921	1/4" JCK PCB MT VERT STER RT SWT
17	3698	SPST ROKR SW QUIK 180° AC PWR
18	3450 & 3450NUT	1/4" ALL GOLD PC MNT JK SKT
19	3886 & 3890	36" PREFAB. CABLE (RED/BLACK)
20	3537	ACC# 4EB3C1B LONG REVERB
21	8638	PUSH SW BUTTON GREY
22	7025A or 7025B	12AX7 DUAL TRIODE PREAMP TUBE
23	6L6B	6L6GB OUTPUT POWER TUBE
24	7081	12" 8R 60WPGM SPKR CELEST VINTAGE

19/20 REVERB CABLE AND UNIT

21 PUSH BUTTON CAPS

22/23 TUBES

24 WINE RED VERSION SPEAKER

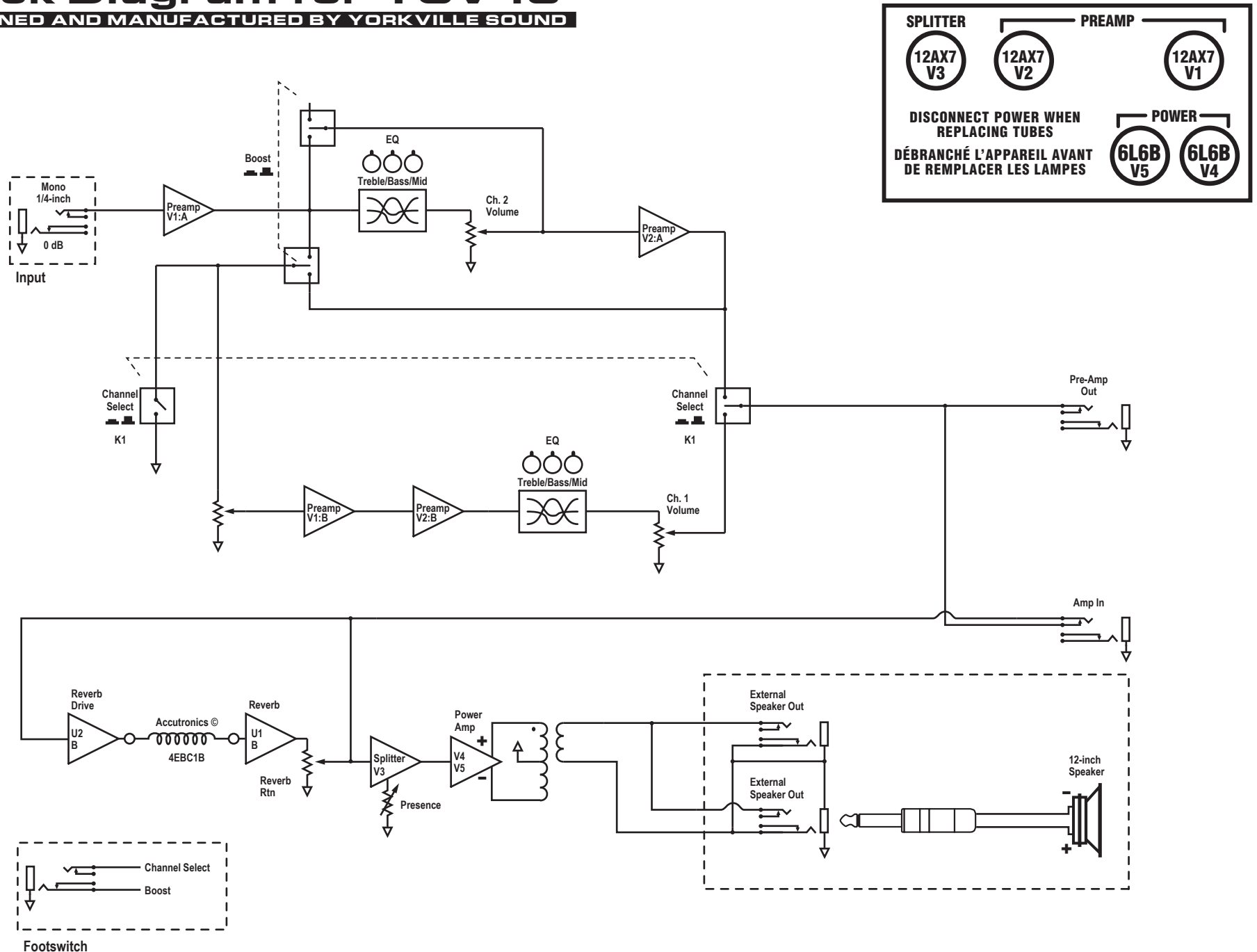
*NOTE: Replacement grilles are 'Special-Order' and are only available while the model is in production.

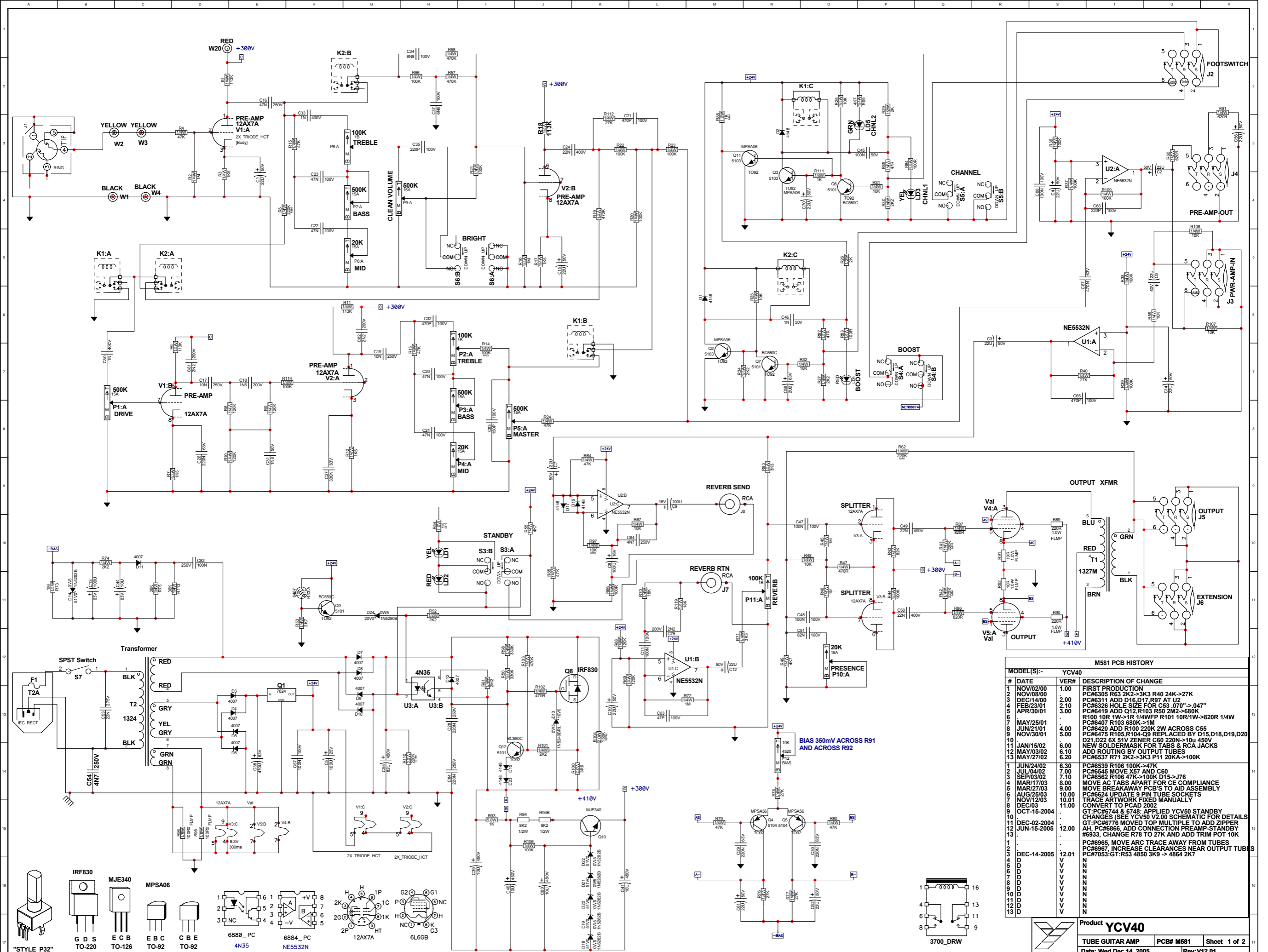
‡ Grilles & Support replacements are for CURRENT models only.

**Real Gear.
Real People.**

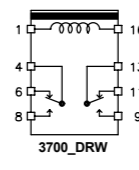
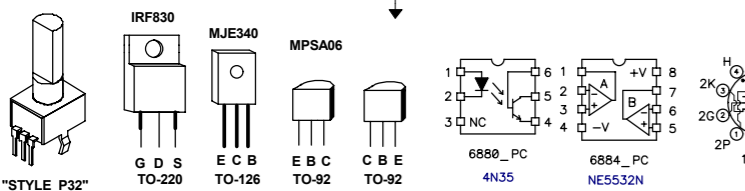
Block Diagram for YCV40

DESIGNED AND MANUFACTURED BY YORKVILLE SOUND



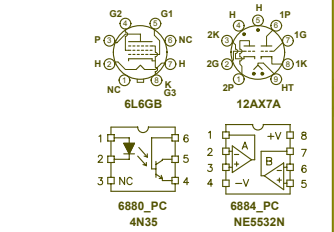
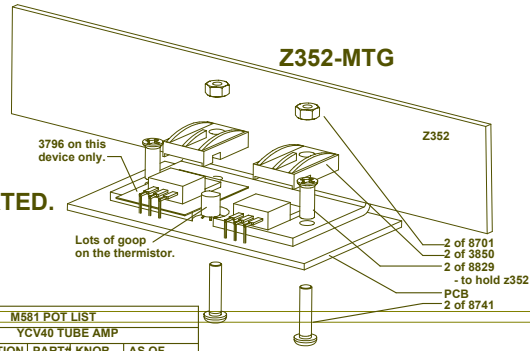


M581 PCB HISTORY			
MODEL(S):	YCV40	VER#	DESCRIPTION OF CHANGE
1	NOV/02/00	1.00	FIRST PRODUCTION
2	NOV/08/00	2.00	PC#6305 R63 2K2->3K3 R40 24K->27K
3	DEC/14/00	2.00	PC#6311 ADD D16,D17,R97 AT U2
4	FEB/23/01	2.10	PC#6326 ADD SIZE FOR C53 070"->047"
5	APR/30/01	3.00	PC#6419 ADD Q12,R103 R50 2M2->680K
6			R100 10R 1W->1R 1/4WFP R101 10R/1W->820R 1/4W
7	MAY/25/01	4.00	PC#6407 R103 680K->1M
8	JUN/21/01	4.00	PC#6420 ADD R100 220K 2W ACROSS C55
9	NOV/30/01	5.00	PC#6475 R105,R104-Q8 REPLACED BY D15,D18,D19,D20
10	JAN/15/02	6.00	D21,D22 6X 51V ZENER C60 220N->10u 450V
11	MAY/03/02	6.10	NEW SOLDERMASK FOR TABS & RCA JACKS
12	AUG/25/03	6.20	ADD ROUTING BY OUTPUT TUBES
13	MAY/27/02	6.20	PC#6537 R71 2K2->3K3 P11 20KA->100K
1	JUN/24/02	6.30	PC#6539 R106 100K->47K
2	JUL/04/02	7.00	PC#6545 MOVE X57 AND C60
3	SEP/03/02	7.10	PC#6562 R106 47K->100K D15->J76
4	MAR/17/03	8.00	MOVE AC TABS APART FOR CE COMPLIANCE
5	MAR/27/03	9.00	MOVE BREAKAWAY PCB'S TO ADD ASSEMBLY
6	AUG/25/03	10.00	PC#6624 UPDATE 9 PIN TUBE SOCKETS
7	NOV/12/03	10.01	TRACE ARTWORK FIXED MANUALLY
8	DEC/03	11.00	CONVERT TO PCAD 2002
9	OCT-15-2004		GT:PC#6744 & 6748: APPLIED YCV50 STANDBY
10			CHANGES (SEE YCV50 V2.00 SCHEMATIC FOR DETAILS
11	DEC-02-2004		GT:PC#6776 MOVED TOP MULTIPLE TO ADD ZIPPER
12	JUN-15-2005	12.00	AH:PC#6866. ADD CONNECTION PREAMP-STANDBY
13			#6933, CHANGE R78 TO 27K AND ADD TRIM POT 10K
1	DEC-14-2005	12.01	PC#6965, MOVE ARC TRACE AWAY FROM TUBES
2			PC#6967, INCREASE CLEARANCES NEAR OUTPUT TUBES
3			PC#7053:GT:R53 4850 3K9 -> 4864 2K7



PRODUCTION NOTES

- RTV MUST BE ADDED TO THE FOLLOWING CAPS C1,C16,C19,C17,C70 BETWEEN C84,C28,C60,C15 C56,C14,C6,C10,C4,C2 AND C12
- C53 IS 22N FOR BOTH NORTH AMERICA AND CE
- C3,C7,C6 MUST BE LOW PROFILE PT#5631
- C8,C9 MUST BE LOW PROFILE PT#5879
- R33 #6467: APPLY THERMAL COMPOUND GENEROUSLY BETWEEN PART AND HEATSINK
- BIAS 350mV ACROSS R91 AND 350mV ACROSS R92
- C3, PART#5631 IS HAND INSERTED.

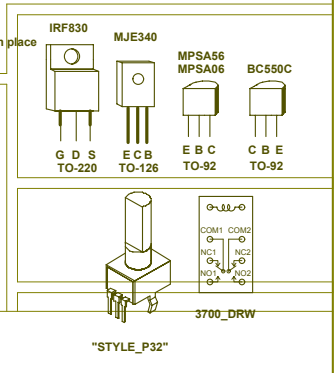


M581 PCB HISTORY			
MODEL(S):-	YCV40		
#	DATE	VER#	DESCRIPTION OF CHANGE
1	NOV/02/00	1.00	FIRST PRODUCTION
2	NOV/08/00	2.00	PC#6355 R63 2K2->3K3 R40 24K->27K
3	DEC/14/00	2.00	PC#6311 ADD D16,D17,R97 AT U2
4	FEB/23/01	2.10	PC#6326 HOLE SIZE FOR C53 .070"->.047"
5	APR/30/01	3.00	PC#6419 ADD C12,R103,R50 2M2->880K R100 10R 1W->1R 1/4WFP R101 10R/1W->820R 1/4W
6	MAY/25/01	3.00	PC#6407 R103 680K->1M
7	JUN/21/01	4.00	PC#6420 ADD R102 20K 2W ACROSS C55
8	NOV/30/01	5.00	PC#6475 R105,R104-Q8 REPLACED BY D15,D18,D19,D20 D21,D22 6X 51V ZENER C60 220M->10u 450V NEW SOL DERMASK FOR TABS & RCA JACKS ADD ROUTING BY OUTPUT TUBES
9	JAN/15/02	6.00	PC#6537 R71 2K2->3K3 P11 20KA->100K
10	MAY/03/02	6.10	PC#6539 R105 100K->47K
11	JUN/27/02	6.20	PC#6545 MOVE X57 AND C60
12	SEP/03/02	7.00	PC#6562 R106 47K->100K D15->J76
13	MAR/17/03	8.00	MOVE AC TABS APART FOR CE COMPLIANCE
14	MAR/27/03	9.00	MOVE BREAKAWAY PCB'S TO AID ASSEMBLY
15	AUG/25/03	10.00	PC#6624 UPDATE 9 PIN TUBE SOCKETS
16	NOV/12/05	10.01	TRACE ARTWORK FIXED MANUALLY
17	DEC/03	11.00	CONVERT TO PCAD 2002
18	OCT-15-2004		GT:PC#6744 & 6748: APPLIED YCV50 STANDBY-CHANGES (SEE YCV50 V2.00 SCHEMATIC FOR DETAILS)
19	DEC-02-2004		GT:PC#6776 MOVED TOP MULTIPLE TO ADD ZIPPER
20	JUN-15-2005	12.00	AH, PC#6866, ADD CONNECTION PREP-STANDBY #6933, CHANGE R76 TO 27K AND ADD TRIMP POT 10K

M581 POT LIST				
YCV40 TUBE AMP				
MODEL(S):-	YCV40			
REF	FUNCTION	PART#	KNOB	AS OF
P1	DRIVE	#4425	#8430	1100
P2	TREBLE	#4424	#8430	1100
P3	BASS	#4425	#8430	1100
P4	MID	#4423	#8430	1100
P5	MASTER	#4425	#8430	1100
P6	MID	#4423	#8430	1100
P7	BASS	#4425	#8430	1100
P8	TREBLE	#4424	#8430	1100
P9	CLEAN VOLUME	#4425	#8430	1100
P10	PRESENCE	#4423	#8430	1100
P11	REVERB	#4424	#8430	1100

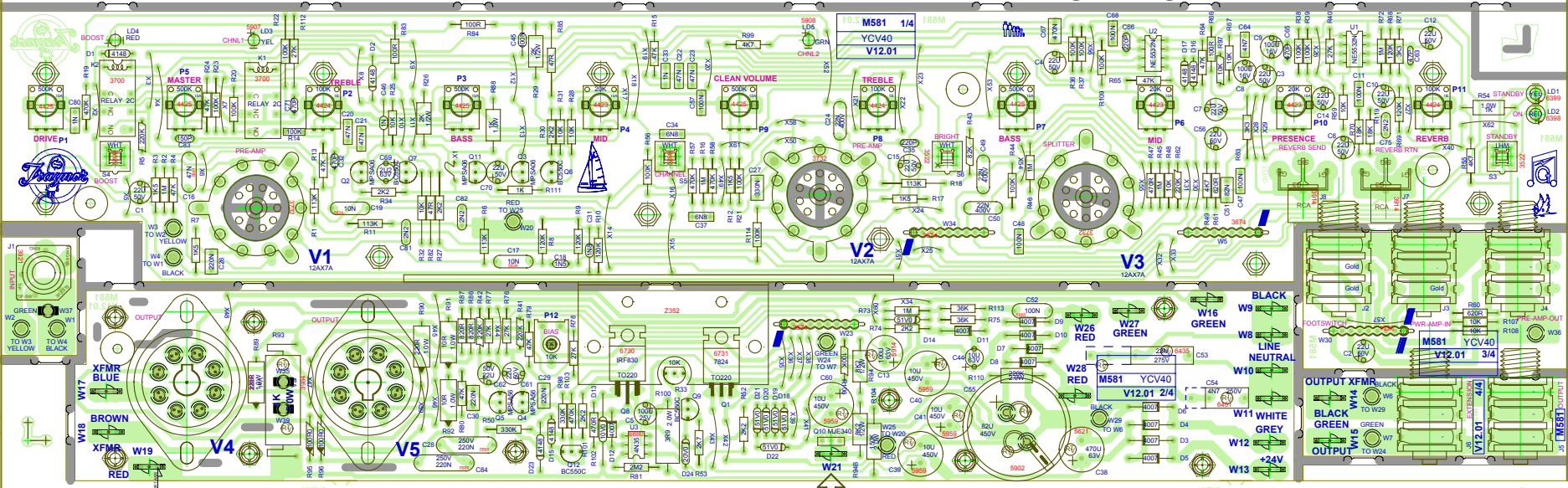
M581 PENDING CHANGES		
MODEL(S):-	YCV40	
#	PC#	PENDING CHANGE
1	PC#6539	R105 100K->47K
2	PC#6545	MOVE X57 AND C60
3	PC#6562	R106 47K->100K D15->J76
4	PC#6624	UPDATE 9 PIN TUBE SOCKETS
5	PC#6744	& 6748: APPLIED YCV50 STANDBY-CHANGES (SEE YCV50 V2.00 SCHEMATIC FOR DETAILS)
6	PC#6776	MOVED TOP MULTIPLE TO ADD ZIPPER
7	PC#6866	ADD CONNECTION PREP-STANDBY #6933, CHANGE R76 TO 27K AND ADD TRIMP POT 10K

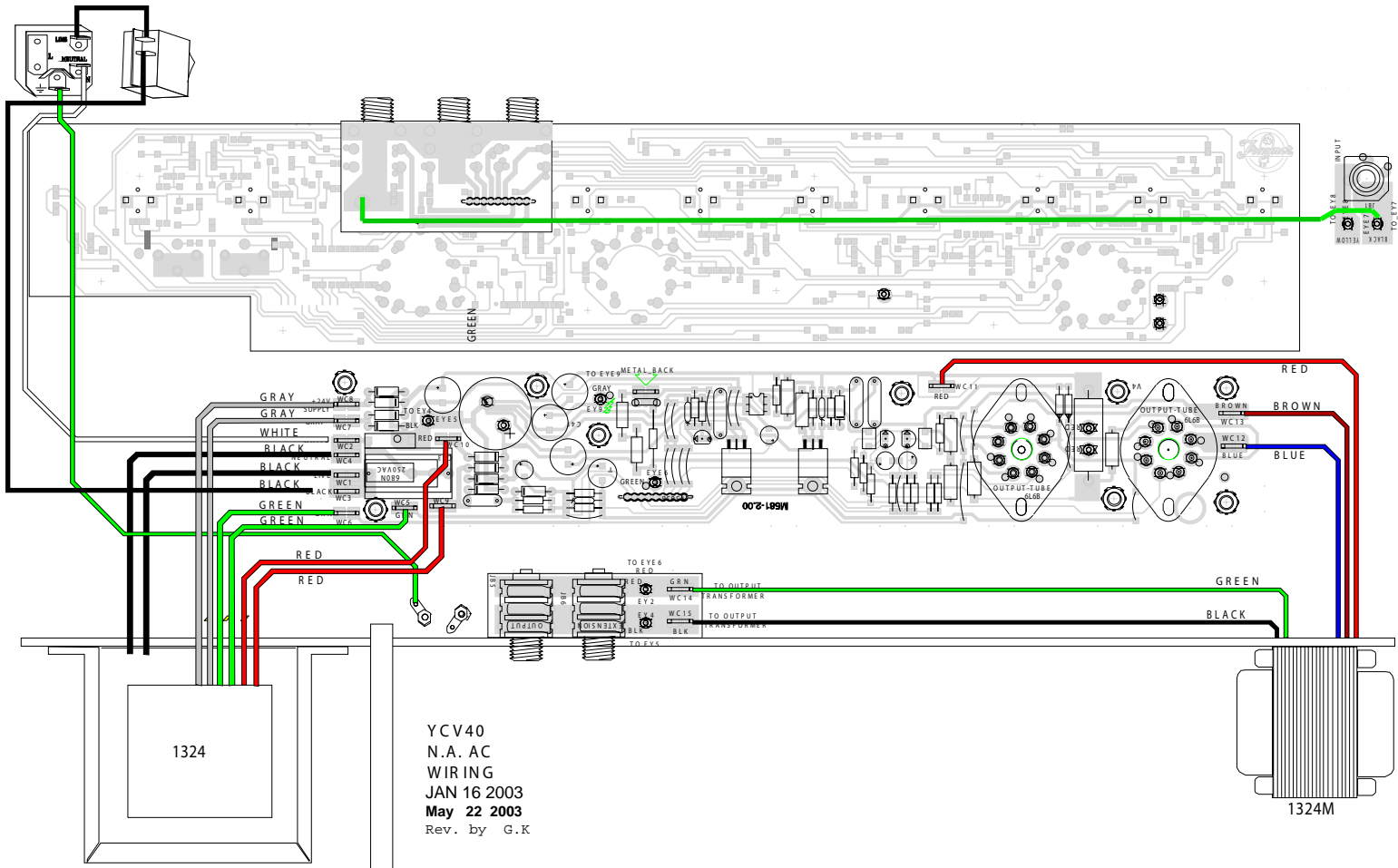
M581 DRILL HISTORY			
MODEL(S):-	YCV40		
#	DATE	VER#	DESCRIPTION OF CHANGE
1	D	V	N
2	D	V	N
3	D	V	N
4	D	V	N
5	D	V	N
6	D	V	N

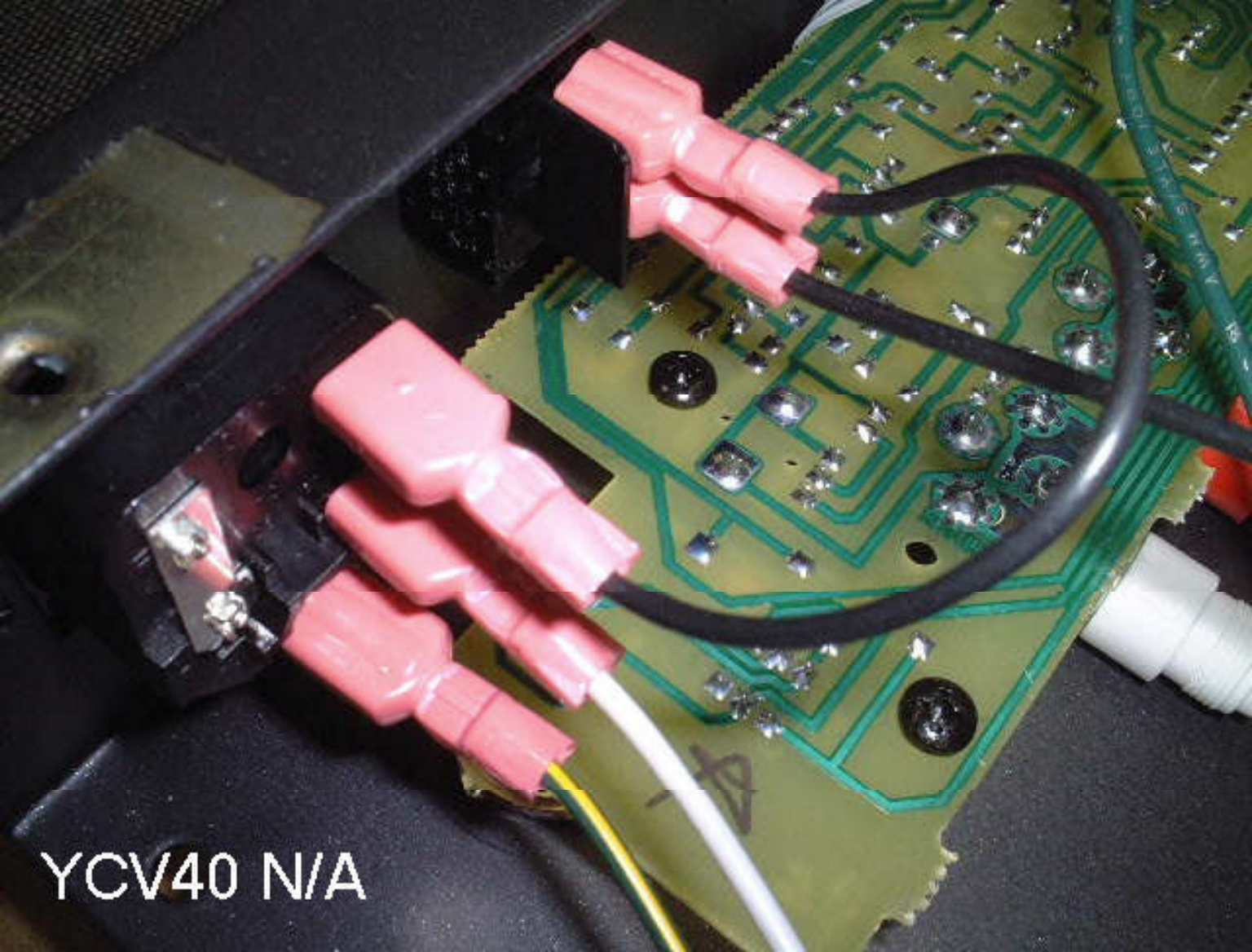


BlankSize - 18600x12800 StepAndRepeat - X1@0.000Y2@6.400

BlankSize - 18600x12800

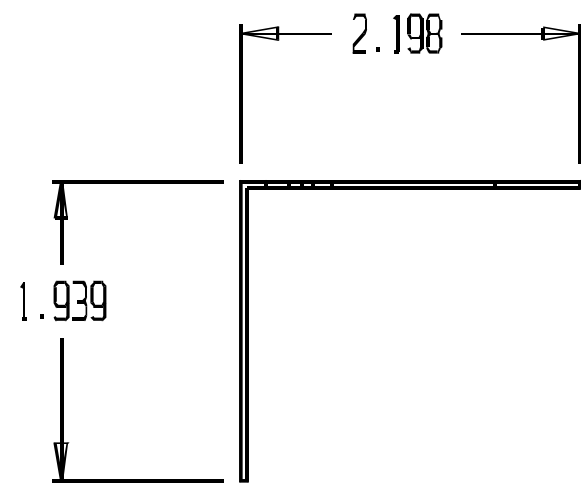




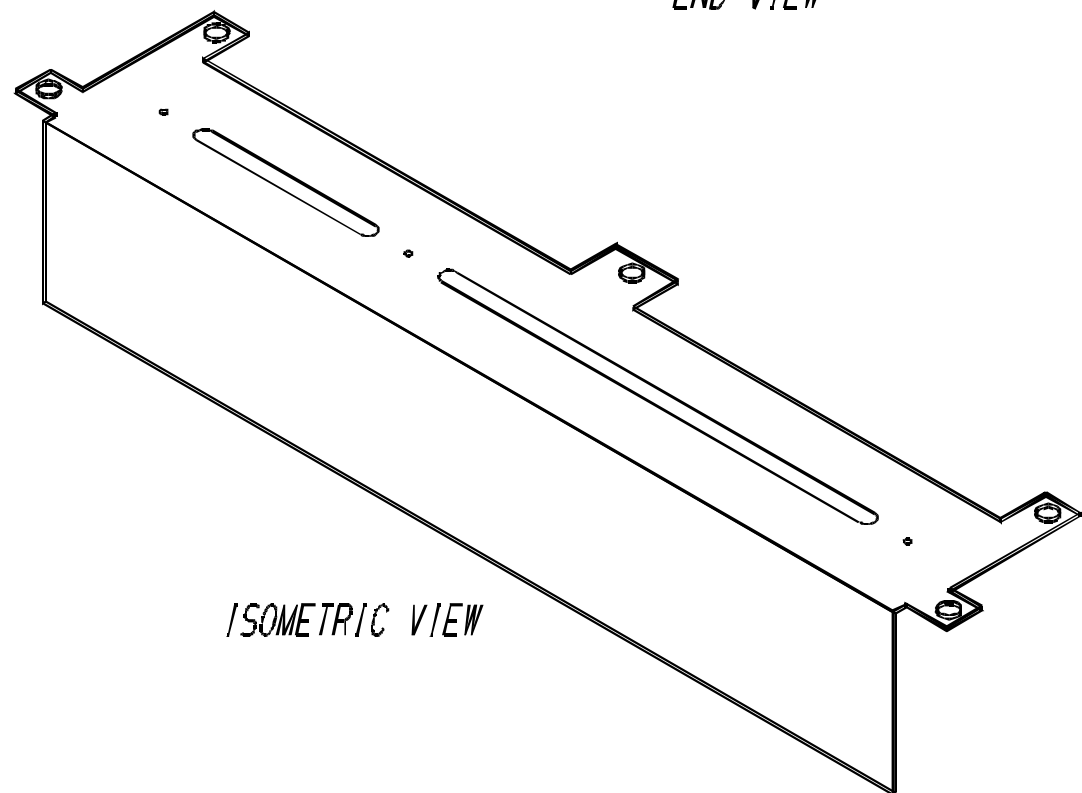


YCV40 N/A

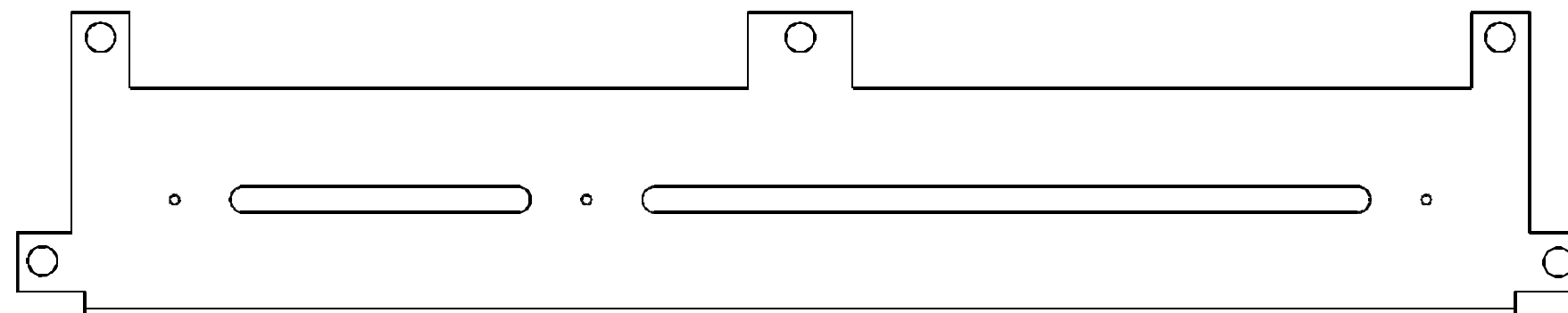
MAT: - 20 GA SATIN COAT
 BLANK: - 48.000 X 96.000
 QTY: - MULTIPLE OF 63 - 1/UNIT
 FINISH:- N/A
 TOL: -



END VIEW

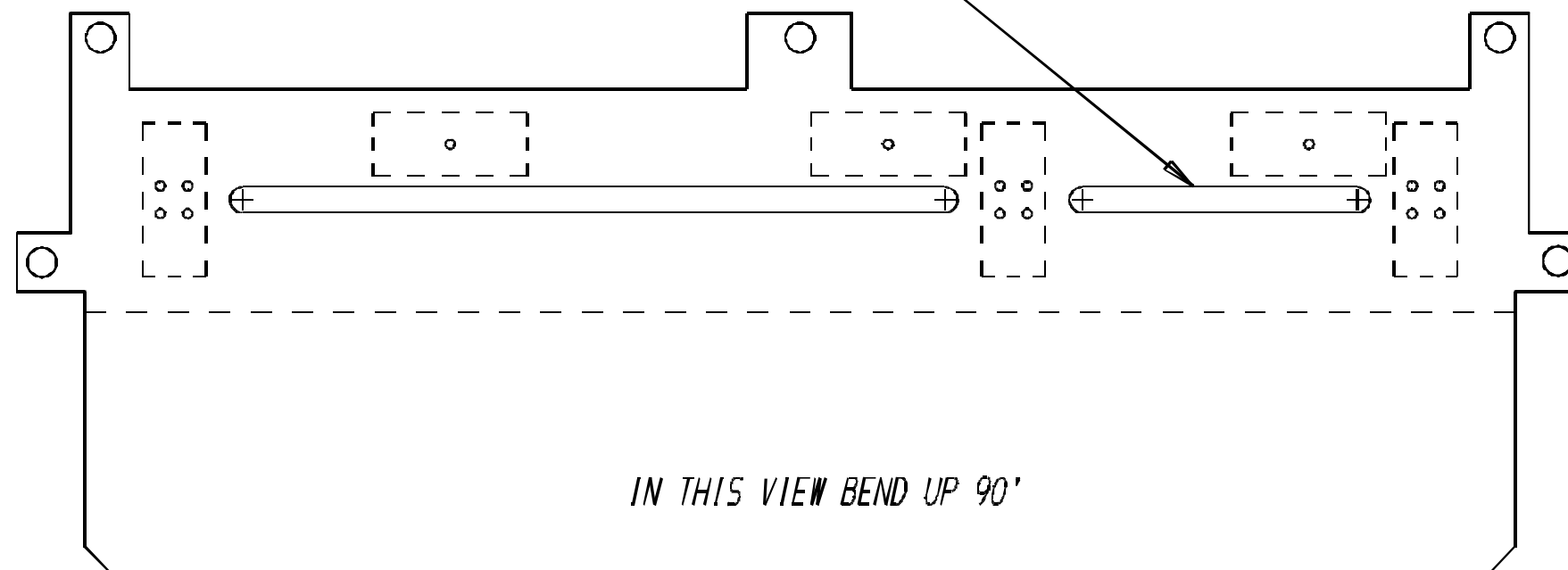


ISOMETRIC VIEW



TOP VIEW

FOR CONSTANT BEAD, SET TOOL AT 7.990



IN THIS VIEW BEND UP 90°

⊙ ⊙ INDICATES LOCATIONS OF FOAM FOR YCV40

⊙ INDICATES FOAM LOCATION FOR YCV80

VERSION 7.00

DESIGN:-
 DRAWN: - DL/AP
 DATE: - AUG/02

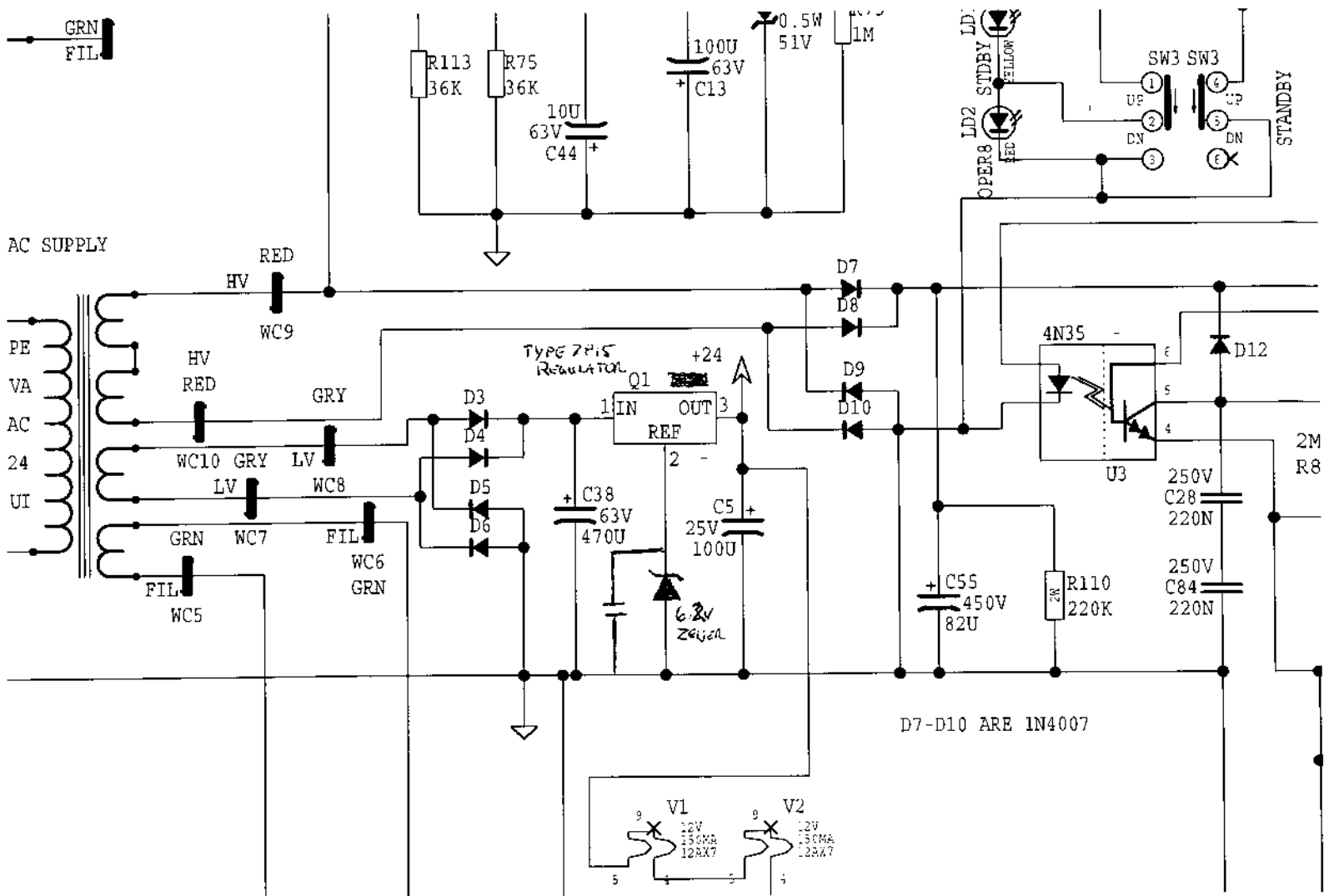
DRW SCALE: -
 PLOT SCALE:-
 FILE NAME: -YCV40/Z358_FP.PRT



TITLE:- YCV40/80 SHIELD
 PART: - Z358
 MODEL:- YCV40/80/CE

DEPT:-
 TEXT IS AT .20 AT FULL SIZE

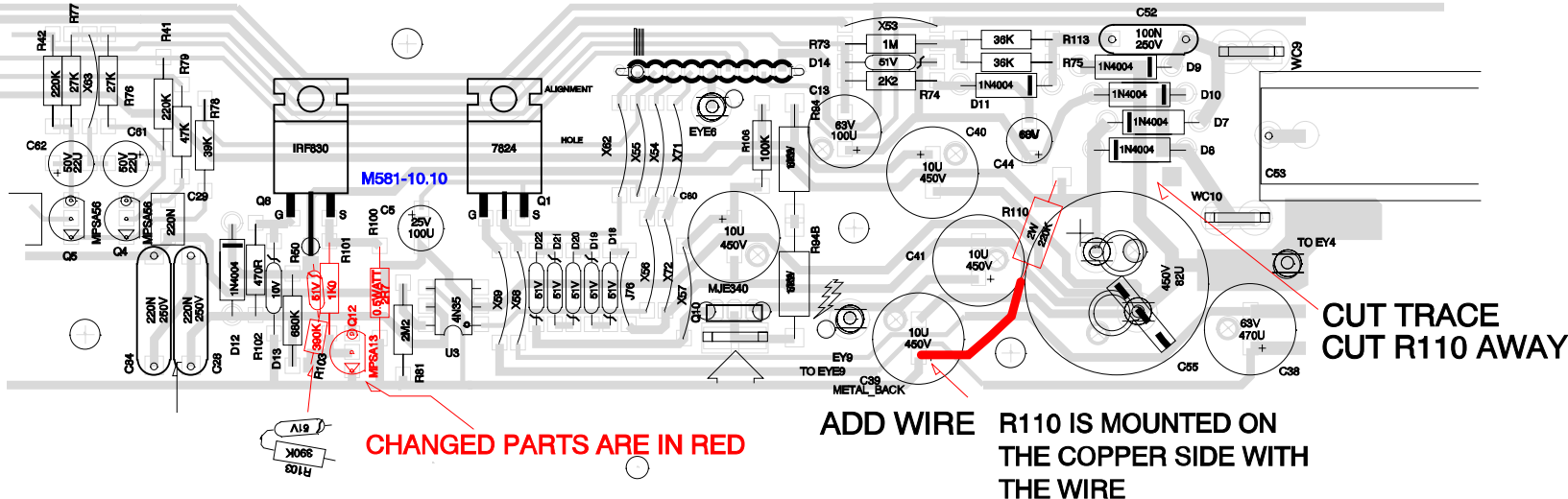
MODIFICATION OF L.V. REGULATOR TO COMPENSATE FOR "LOW MAINS VOLTAGE"



- 1) CHANGE REGULATOR TO TYPE 7815 (+15V) REGULATOR.
- 2) ADD 6.2VOLT ZENER (1/2WATT) TO PIN 2 AS SHOWN.
- 3) ADD A 100 WATT FAN CAP ACROSS THE NEW ZENER.

Guy B.

CHANGES TO M581 V10.1



PC#6749 REWORK FOR M581 STANDBY CIRCUIT

R100 TO 2R7 1/2W PT#4642

R103 TO 390K ADD 51V ZENER IN SERIES PT# 4865-6475

Q12 TO MPSA13 PT#5105

R101 TO 1K0 PT#6110

R110 TO 150K AND CONNECT TO TOP OF C39 PT#4790

YCV40 m581 Service Update for V11.00 boards

April 2005 boards have been reworked as described in this document.

To address PC#6866 a 22AWG wire, part # 3947 jumper, needs to be soldered from P11 to S3 on the bottom side of the board as shown:

