

6

5

4

3

2

1

D

C

B

A

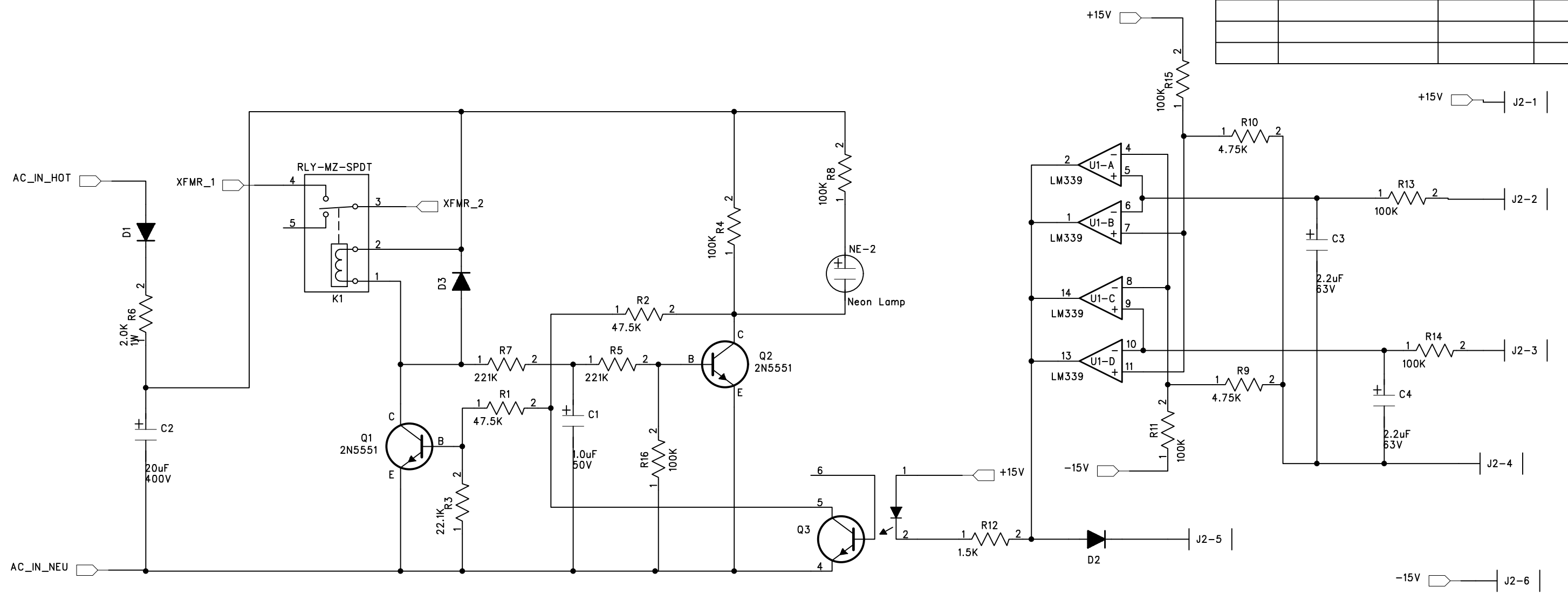
D

C

B

A

REVISION RECORD			
LTR	ECO NO:	APPROVED:	DATE:



COMPANY:				Renkus-Heinz, Inc.			
TITLE:				AC Protection Circuit-Relay			
DRAWN:	DF	DATED:	10/22/2001	CODE:	SIZE:	DRAWING NO:	REV:
CHECKED:		DATED:					1.2
QUALITY CONTROL:		DATED:					
RELEASED:		DATED:					
FILE :						SHEET: 1 OF 1	