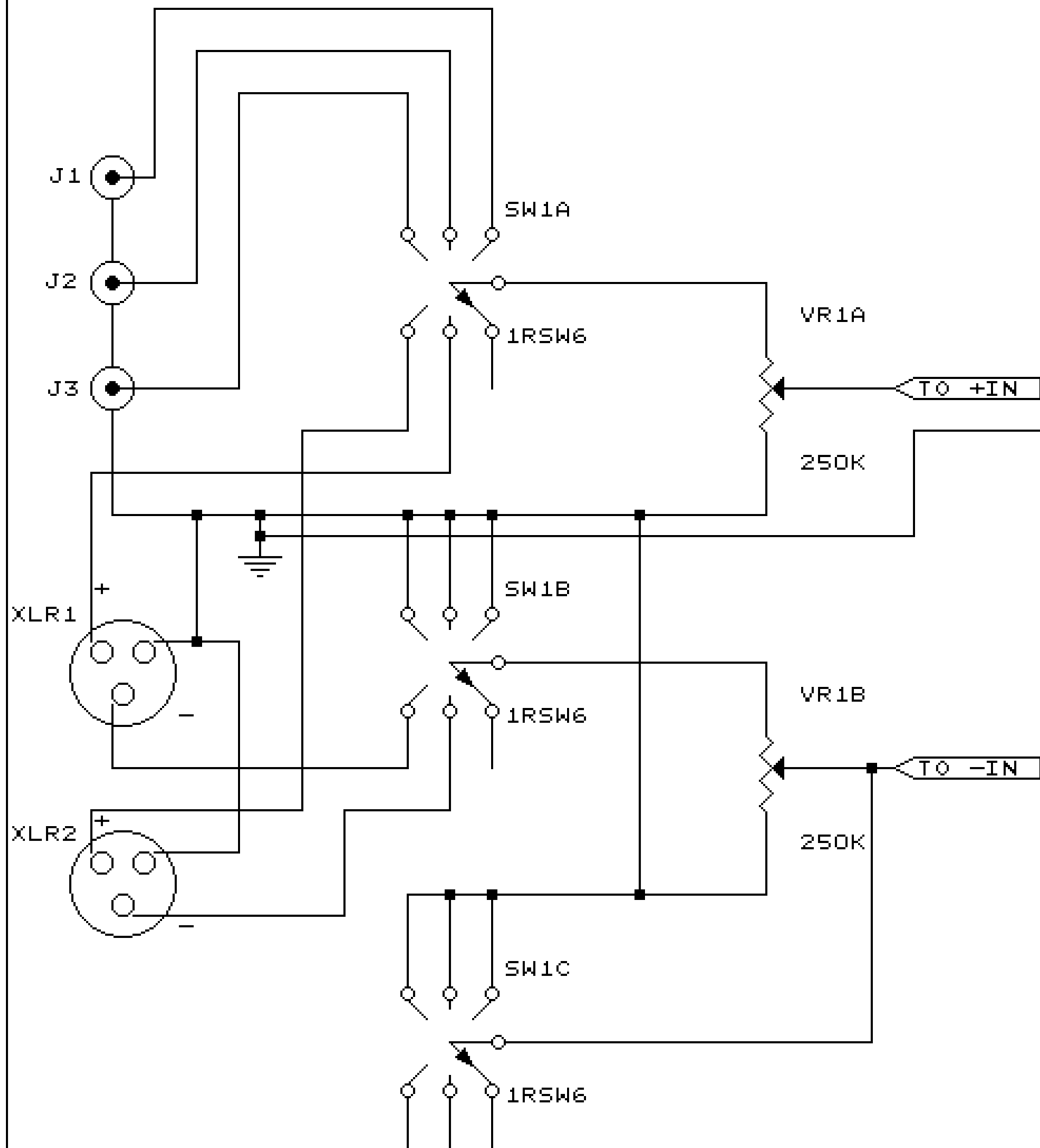
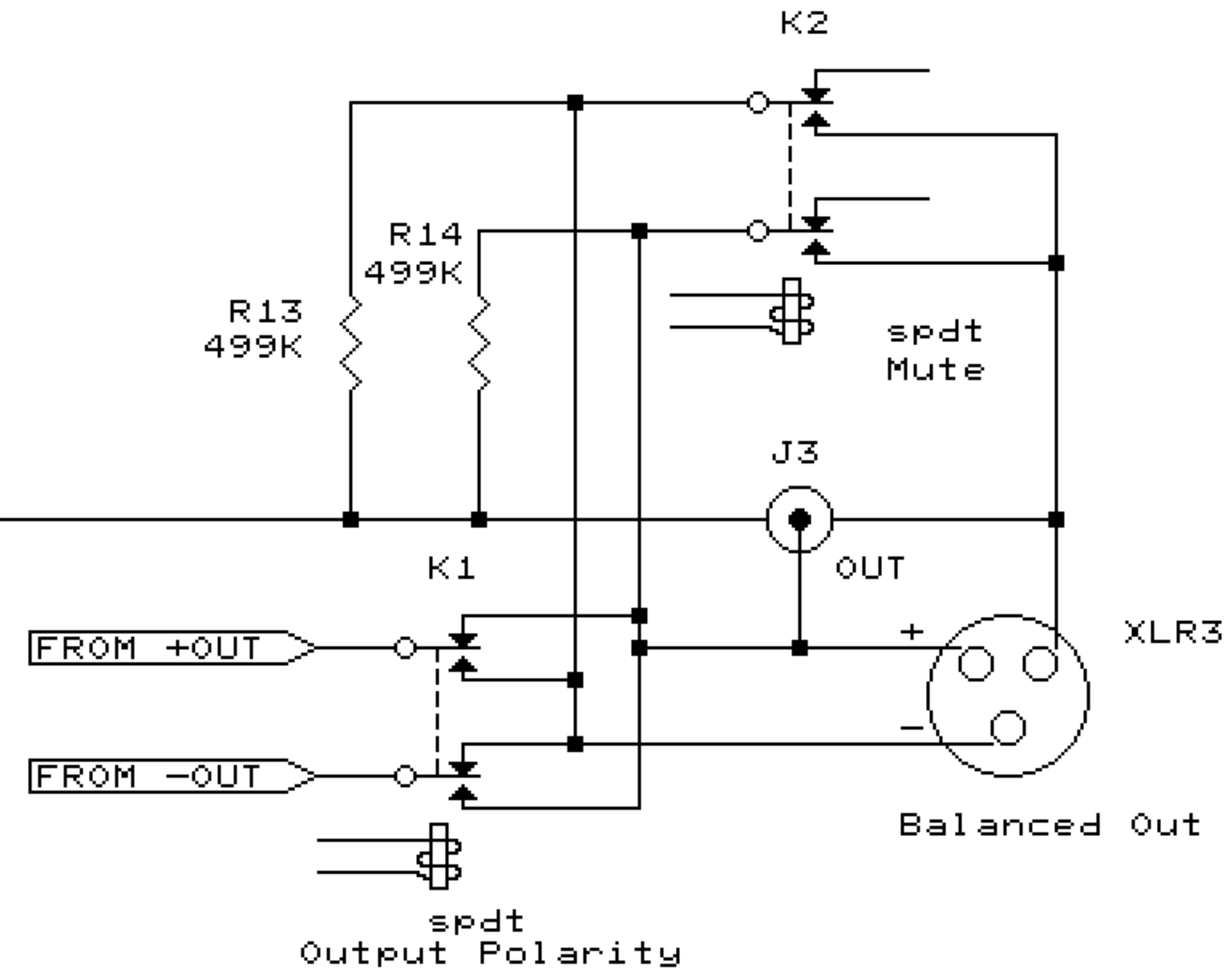


INPUT SECTION - ONE CHANNEL SHOWN



OUTPUT CONTROL SECTION



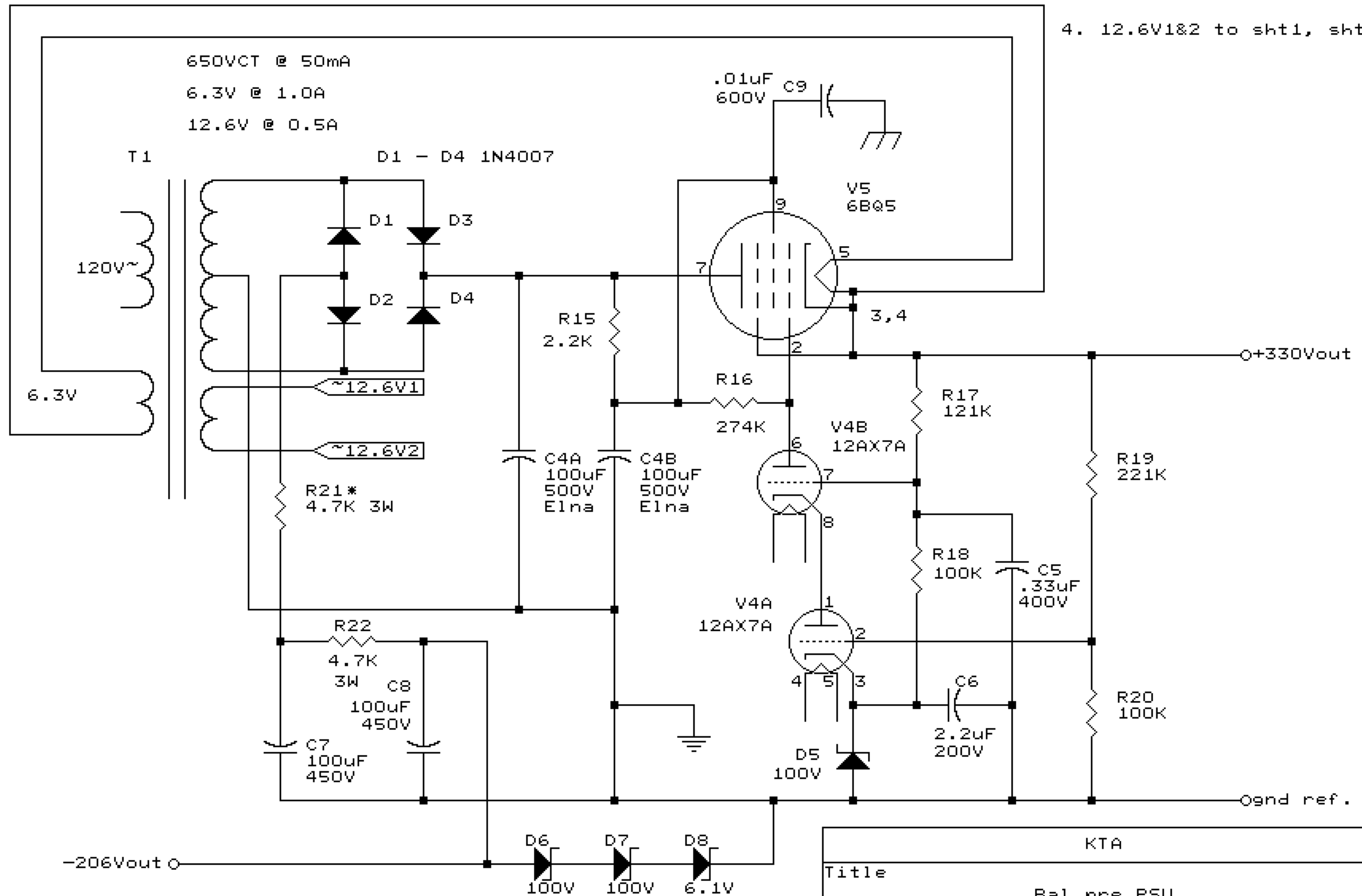
Notes:

1. Relays shown in unenergized condition
  - Mute relay unmuted
  - Polarity relay in non-inverting mode
2. Only One channel shown.
3. Rotary switch 4 deck type with 2P6P0S per deck .
4. One stereo pot required per channel.

KTA		
Title		
Balance Pre I/O		
Size	Document Number	REV
A		0
Date:	August 30, 1998	Sheet 2 of 4

Notes:

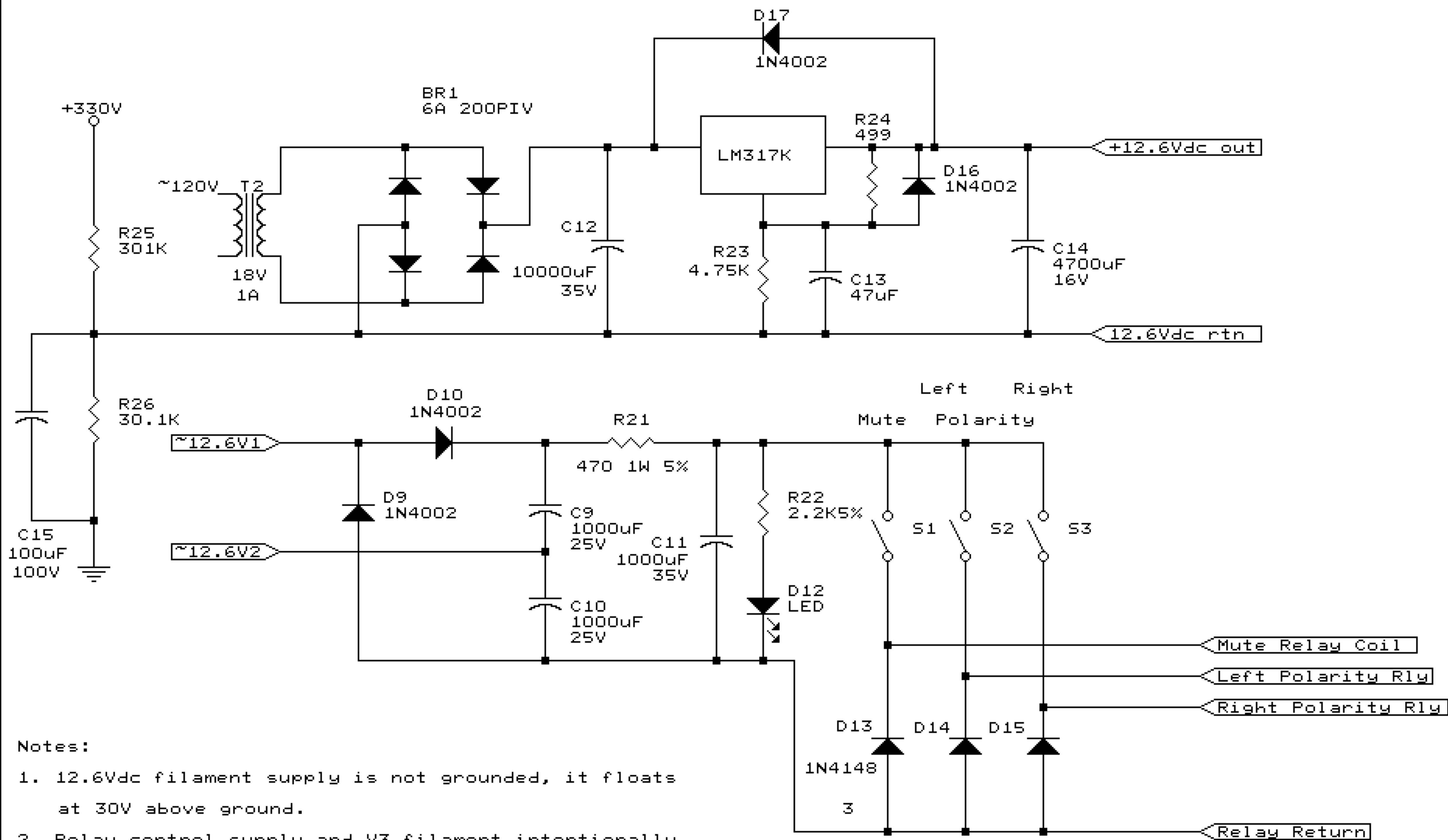
1. C9 grounded at 6BQ5 socket
2. PS will power both channels
3. Zeners 1W, 5% tolerance
4. 12.6V1&2 to sht1, sht4



\* Adjust R21 if necessary for I = 18 - 20mA

KTA		
Title		
Bal_pre PSU		
Size	Document Number	REV
A		0
Date:	August 30, 1998	Sheet 3 of 4

File: bal\_pre4

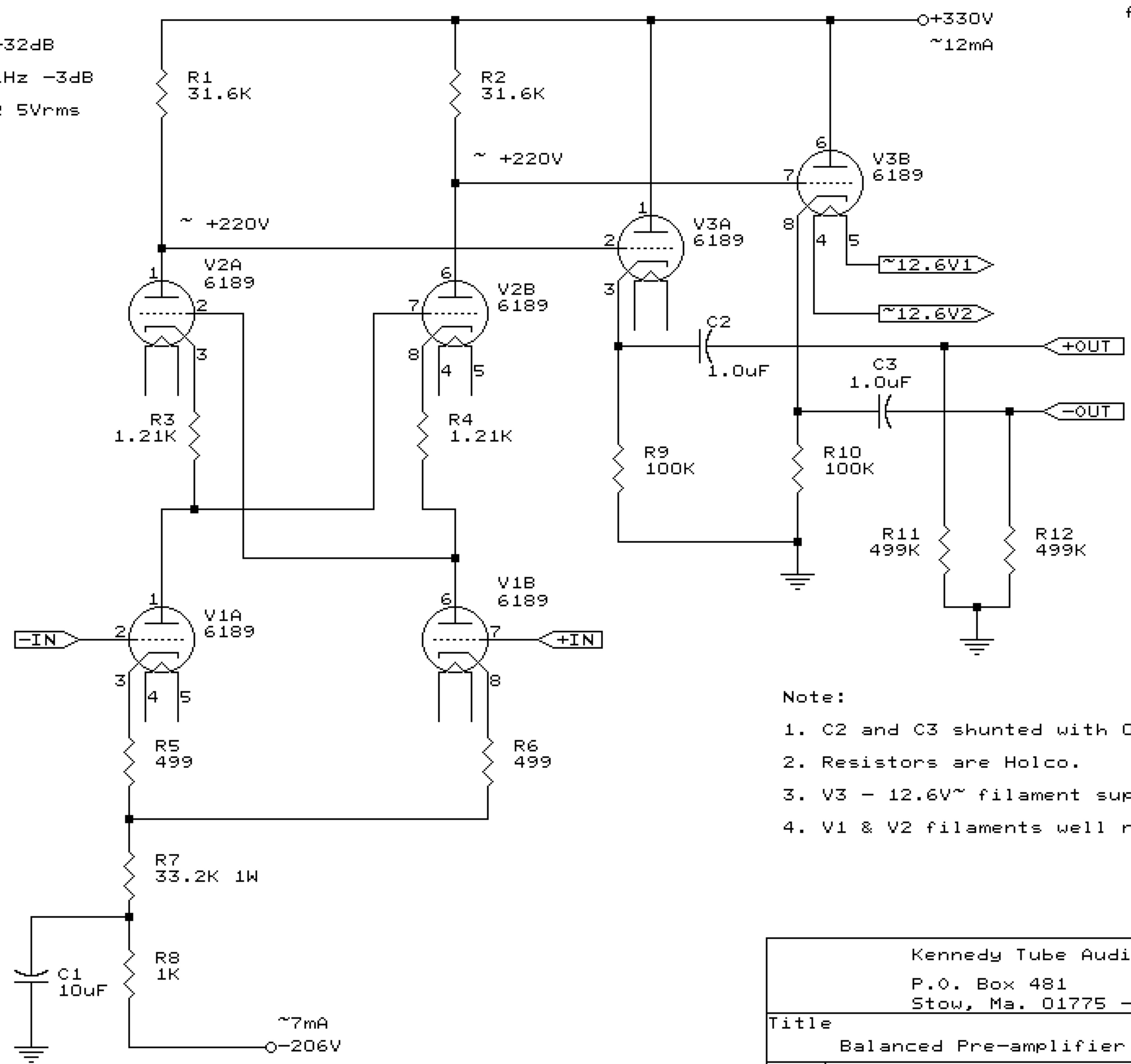


Notes:

1. 12.6Vdc filament supply is not grounded, it floats at 30V above ground.
2. Relay control supply and V3 filament intentionally left floating.
3. Relay coils operate from 24Vdc.
4. This supply will run both channels comfortably.
5. R23 value may need to be adjusted slightly to get 12.6V

KTA		
Title		
Bal_pre PSU/Relay Cntrl		
Size	Document Number	REV
A		0
Date:	August 31, 1998	Sheet 4 of 4

Gain: +20 to +32dB  
 BW: 5Hz - 500kHz -3dB  
 THD: < 0.25% @ 5Vrms



Note:

1. C2 and C3 shunted with 0.1uF RTX
2. Resistors are Holco.
3. V3 - 12.6V~ filament supply floats
4. V1 & V2 filaments well regulated +12.6V

Kennedy Tube Audio		
P.O. Box 481		
Stow, Ma. 01775 - 0481		
Title		
Balanced Pre-amplifier Gain Block		
Size	Document Number	REV
A		0
Date:	August 31, 1998	Sheet 1 of 4

Possession of this document in no way confers a right to commercial use. All rights remain the property of KTA and/or Kevin R. Kennedy This material copyright 8/30/98.