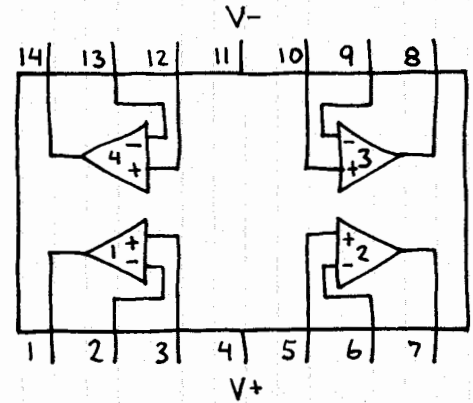
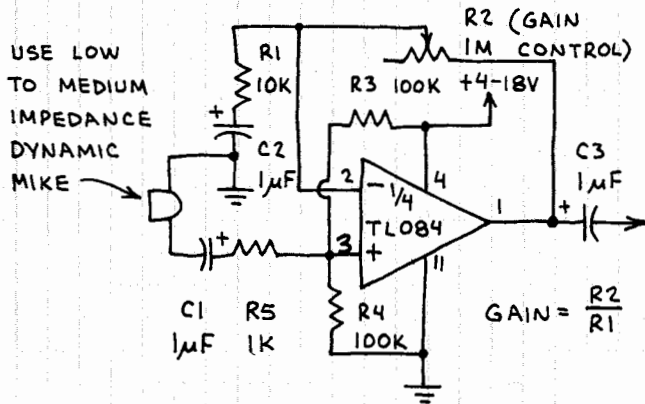


QUAD OPERATIONAL AMPLIFIER TL084C (JFET INPUT)

HIGH IMPEDANCE (10^{12} OHMS) JUNCTION FET INPUTS. OUTPUT SHORT CIRCUIT PROTECTION. HIGH SLEW RATE (12 V/ μ SEC) PLUS LOW NOISE OPERATION. PERFORMANCE SIMILAR TO LF353N. NOTE THAT PIN CONNECTIONS ARE SAME AS LM324.



MICROPHONE PREAMPLIFIER



NOTE SINGLE POLARITY POWER SUPPLY (THANKS TO $R3$ AND $R4$) AND AC COUPLING.

LOW-Z PREAMPLIFIER

