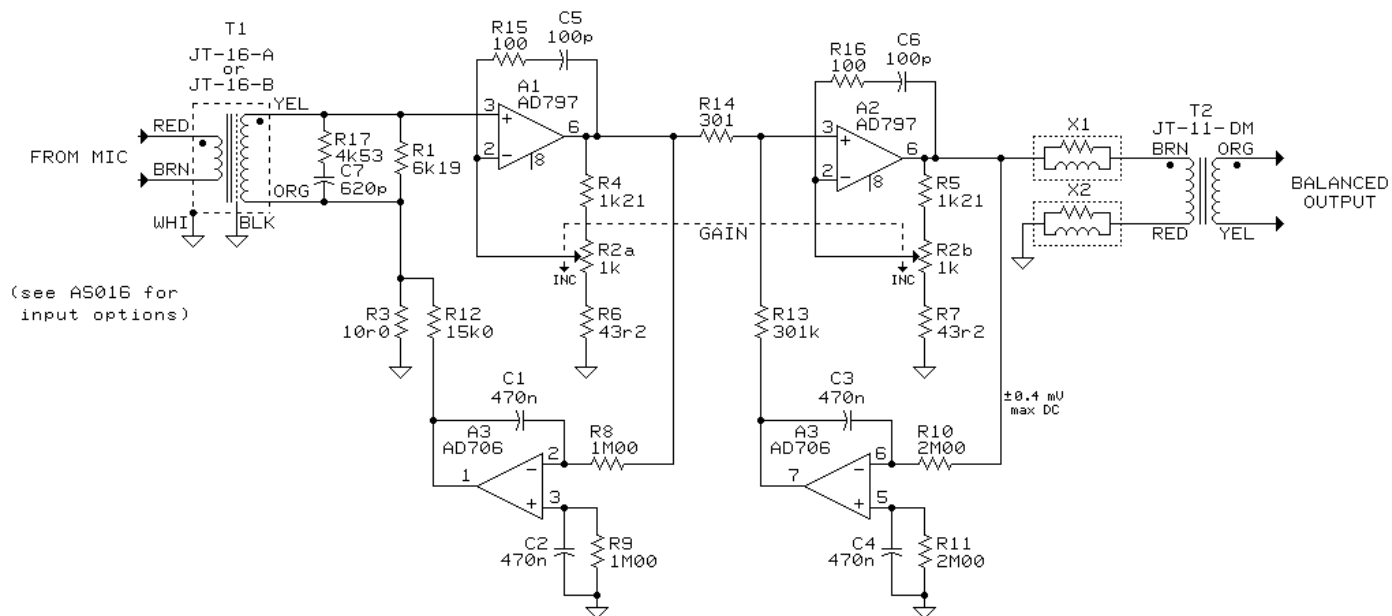


# IC MIC PREAMP USES JENSEN TWIN-SERVO® CIRCUIT TOPOLOGY



(see AS016 for input options)

R2 is reverse log taper conductive plastic dual pot  
 X1 and X2 are output load isolators, Jensen JT-OLI-3

© COPYRIGHT 1997, JENSEN TRANSFORMERS, INC.

<b>jensen</b>	AS082
	02/03/97
7135 HAYVENHURST AVE. VAN NUYS, CALIFORNIA 91406 (818) 374-5857	