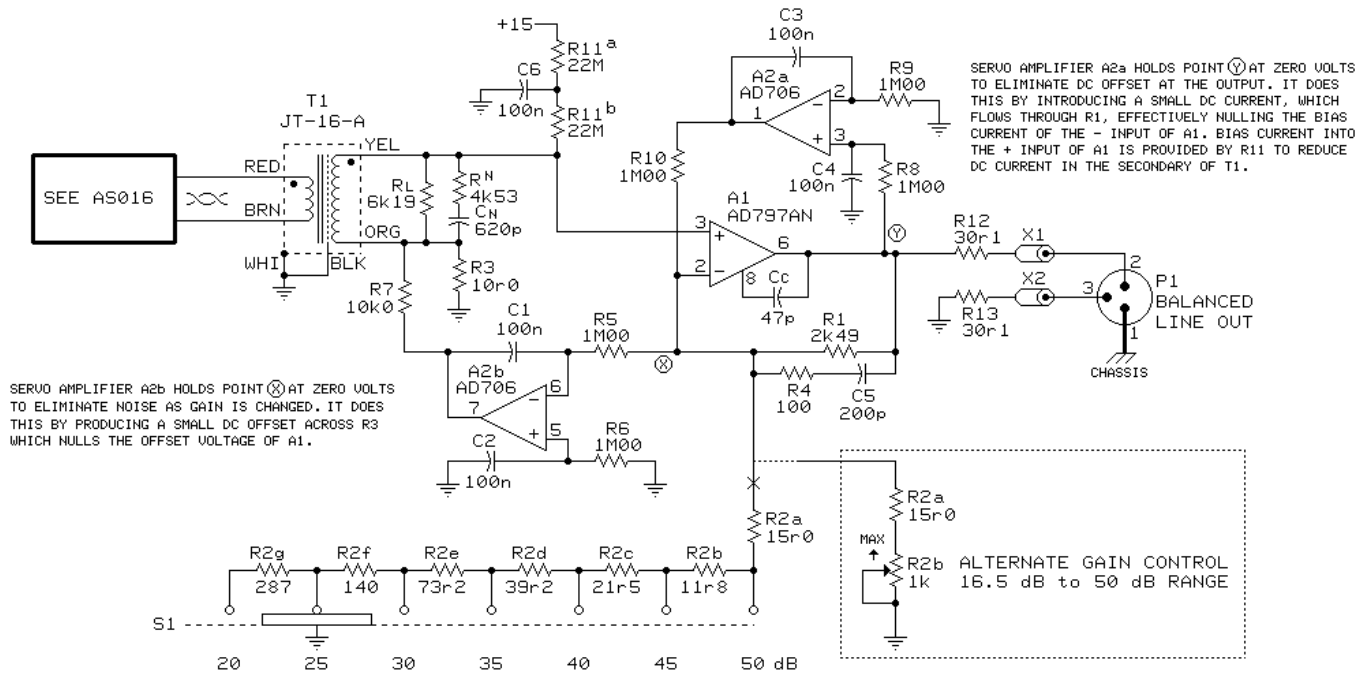


# JT-16-A IN SINGLE STAGE MIC PREAMP WITH TWO DC SERVO



## NOTES

1. ALL RESISTORS ARE  $\pm 1\%$  1/4w METAL FILM TYPES, ROEDERSTEIN MK2-1, RATED IN OHMS (6k19 = 6.19k, 30r1 = 30.1)
2. S1 IS A SHORTING (MAKE-BEFORE-BREAK) TYPE SWITCH
3. ALTERNATE R2b IS A REVERSE LOG TAPER CONDUCTIVE PLASTIC POTENTIOMETER
4. RL, CN, AND RN ARE AS SPECIFIED ON TRANSFORMER DATA SHEET
5. USE OF GOLD PLATED CONTACTS IN XLR CONNECTORS IS HIGHLY RECOMMENDED
6. TIGHTLY TWIST LEADS AS SHOWN  $\infty$  AND KEEP ALL WIRING AS SHORT AS POSSIBLE
7. BYPASS IC POWER PINS WITHIN 1/4" OF PIN WITH HIGH QUALITY CAPACITORS
8. GROUND PLANE CONSTRUCTION IS HIGHLY RECOMMENDED
9. X1 AND X2 ARE FERRITE BEADS, JENSEN PART JT-FB-2.

© COPYRIGHT 1992, 1995 JENSEN TRANSFORMERS, INC.

<b>jensen</b>	AS019
	09/14/95
7135 HAYVENHURST AVE. VAN NUYS, CALIFORNIA 91406 (818) 374-5857	