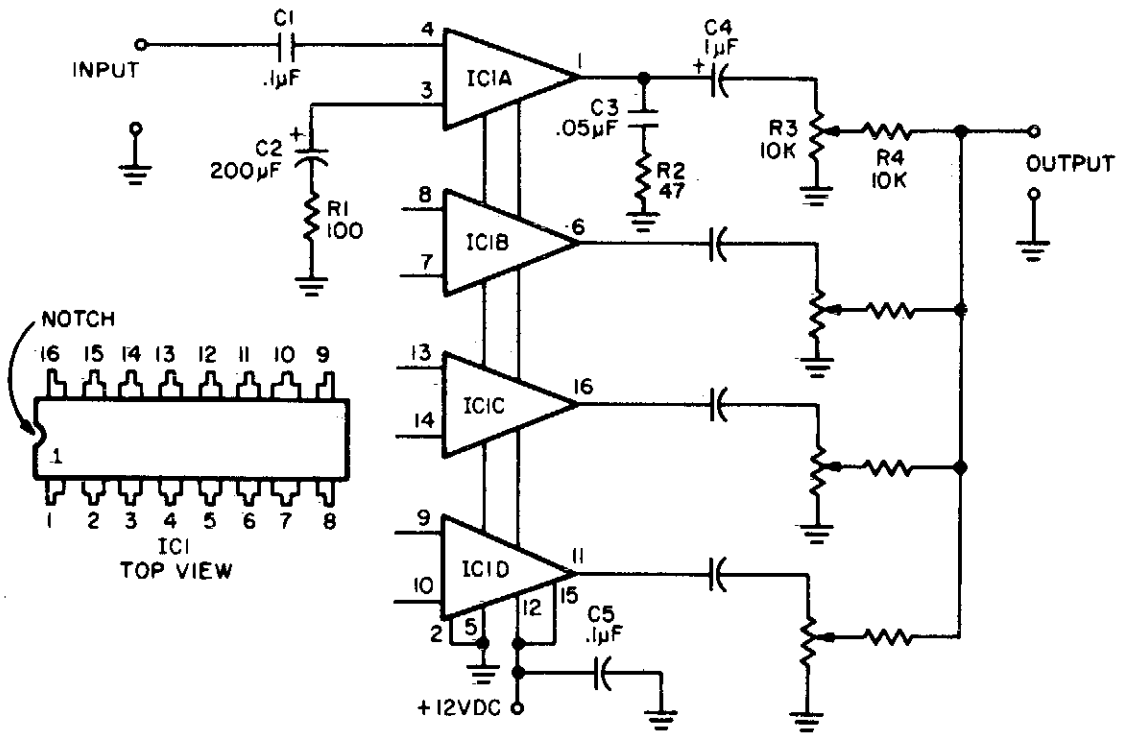


HIGH-LEVEL FOUR-CHANNEL MIXER



PARTS LIST FOR HI-LEVEL MIXER

- C1—0.1- μ F, 3 VDC capacitor
- C2—200- μ F, 3 VDC capacitor
- C3—0.05- μ F, 75 VDC disc capacitor
- C4—1- μ F, 15 VDC capacitor
- C5—0.1- μ F, 15 VDC capacitor

IC1—RCA CA 3052

- R1—100-ohms, 1/2-watt resistor
- R2—47-ohms, 1/2-watt resistor
- R3—Potentiometer, 10,000-ohms audio taper
- R4—10,000-ohms, 1/2-watt resistor

Fig. 6-2

Circuit Notes

To provide good signal-to-noise ratio, this four channel mixer amplifier controls the signal levels after the amplifiers, and then mixes them to offer a combined output. The circuit works with any 50 ohm to 50 K dynamic mi-

crophone but not with crystal or ceramic mikes because the IC input impedance is low. Note that all four circuits are identical but that only one is shown complete.