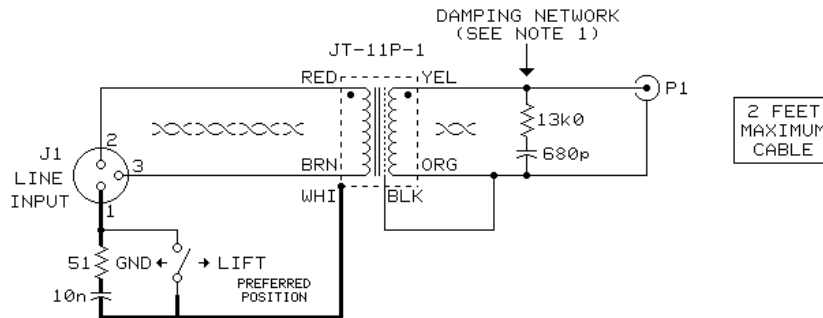


JT-11P-1 BALANCED XLR INPUT TO UNBALANCED RCA OUTPUT



NOTES:

1. THE DAMPING NETWORK SHOWN IS NECESSARY IF THE IMPEDANCE OF THE UNBALANCED INPUT IS OVER 10 kΩ, WHICH IS TYPICAL. OMIT NETWORK ONLY IF INPUT IMPEDANCE IS EXACTLY 10 kΩ.
2. FOR BEST TRANSIENT RESPONSE, KEEP SECONDARY LOAD CAPACITANCE UNDER 100 pF. (ABOUT 2 FEET OF TYPICAL CABLE CONNECTED TO P1)
3. PRIMARY (RED/BRN) AND SECONDARY (YEL/ORG) LEADS SHOULD BE TWISTED AS SHOWN AND WIRING SHOWN AS THICK LINE SHOULD BE HEAVY GAUGE AND AS SHORT AND DIRECT AS POSSIBLE.
4. A PAIR OF JT-11P-1 TRANSFORMERS ASSEMBLED AS ABOVE IN A STURDY STEEL BOX WITH GOLD PLATED XLR CONNECTORS AND GROUND LIFT SWITCHES IS AVAILABLE FROM JENSEN AS ISO-MAX® MODEL PI-2XX.

jensen

AS089

10/29/98

7135 HAYVENHURST AVE.
VAN NUYS, CALIFORNIA 91406
(818) 374-5857

© COPYRIGHT 1993, 1995 JENSEN TRANSFORMERS, INC.