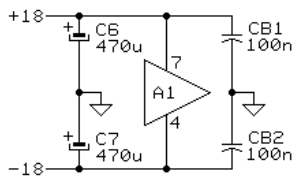
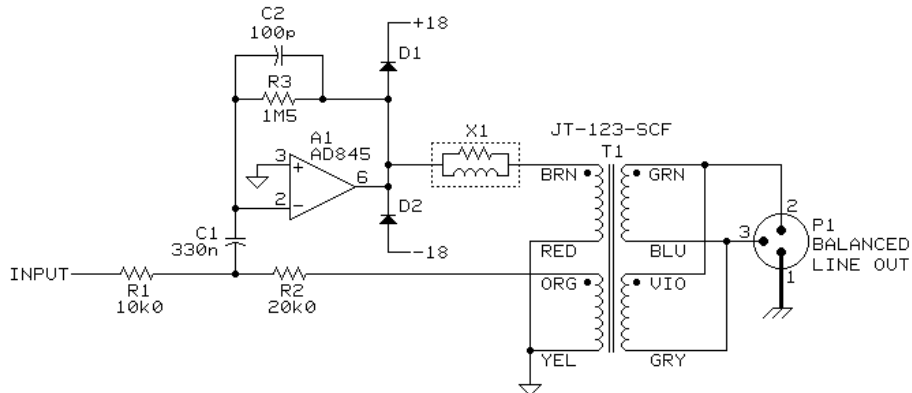


JT-123-S LINE DRIVER WITH FEEDBACK AROUND THE TRANSFORMER

THIS DRIVER SUITABLE FOR LOADS OF 600Ω MINIMUM AND UP TO 50 FEET OF TYPICAL CABLE

THIS CIRCUIT WAS JOINTLY DEVELOPED BY
BILL WHITLOCK OF JENSEN TRANSFORMERS
AND WALT JUNG OF ANALOG DEVICES



INPUT IMPEDANCE: 10 kΩ
 GAIN = 6 dB (Av=2)
 FREQUENCY RESPONSE: -0.2 dB @ 1.8 Hz & 22 kHz
 -3.0 dB @ 0.7 Hz & 80 kHz
 RATED OUTPUT: +21 dBu INTO 600Ω
 DISTORTION: <0.01% THD 20 Hz-20 kHz @ +18 dBu OUT
 FULL POWER BANDWIDTH: >250 kHz
 DEVIATION FROM LINEAR PHASE: <3° 20 Hz-20 kHz
 OUTPUT IMPEDANCE: 30Ω
 LONGITUDINAL BALANCE: BETTER THAN 1% TO 10 kHz

NOTES:

1. ALL RESISTORS ARE ±1% 1/4w METAL FILM TYPES, ROEDERSTEIN MK2-1 OR EQUIVALENT AND VALUES ARE IN OHMS (10k0 = 10.0k & 1M5 = 1.5M)
2. ALL CAPACITORS ARE POLYPROPYLENE, POLYSTYRENE, OR NPO/C0G CERAMIC TYPES
3. X1 IS JENSEN #JT-OLI-2 OUTPUT LOAD ISOLATOR
4. USE GOOD HIGH FREQUENCY CONSTRUCTION TECHNIQUES. USE OF POWER & GROUND PLANES IS HIGHLY RECOMMENDED.
5. D1 AND D2 ARE 1N4448 OR EQUIVALENT

jensen	AS025
	09/18/95
7135 HAYVENHURST AVE. VAN NUYS, CALIFORNIA 91406 (818) 374-5857	